

# 4" ProTools D Downlight

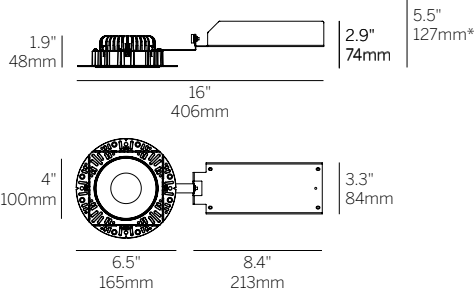
## Round Recessed Cone



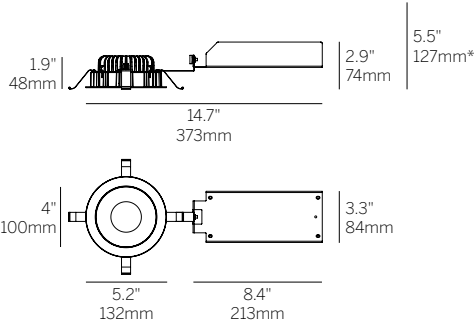
Recessed Plaster Trim



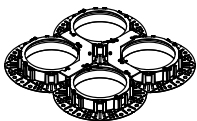
Recessed Bezel Trim



Recessed Plaster Trim (RPT)



Recessed Bezel Trim (RBT)



Multiple luminaire configurations for plaster trim. See Multiple Luminaire specsheet for details.

\*Minimum of 5.5" (127mm) ceiling void is required to install the integral driver from below the ceiling.

Cut Out: Ø 4.75" / 121mm

### Ordering Information

WG-100RPTD					RRC	RSO	110		
Model	Fixation	Power <sup>1,2</sup>	CRI/CCT <sup>3</sup>	Driver <sup>4</sup>	Cover	Lens	Beam	Finish <sup>5</sup>	Options <sup>7</sup>
WG-100RPTD	RPT RBT	L M H	927 930 935 940	X S D010 PEQ0	RRC	RSO	110	W S <sup>6</sup>	LP CP IC WL TC

### Luminaire

- 4" round aperture downlight with wide distribution ambient lighting.
- 0.7" regressed, evenly illuminated, highly efficient Satin Opal Lens.
- High efficiency, high transmission lens.
- Luminaire and driver installed and maintained from below the ceiling.
- Modular interchangeability throughout the entire ProTools range of products.
- Multiple luminaire configurations for plaster trim. See Multiple Luminaire specsheet for details.

### Fixation

- RPT = Recessed Plaster Trim
- RBT = Recessed Bezel Trim

### Power<sup>1,2</sup>

- L = Low Power, 11W @ 350mA
- M = Mid Power, 15W @ 500mA
- H = High Power, 22.5W @ 700mA

### CRI/CCT<sup>3</sup>

90+ CRI (Low/Mid/High Power)

- 927 = 2700K, (700/976/1326 lm)
- 930 = 3000K, (719/1004/1364 lm)
- 935 = 3500K, (758/1058/1437 lm)
- 940 = 4000K, (800/1116/1516 lm)

### Driver<sup>4</sup>

- X = Remote driver, ordered separately
- S = Standard non-dim driver, 120-277V
- D010 = EidoLED, 1%, 0-10V Driver, 120-277V
- PEQ0 = Lutron Hi-lume Premier 0.1% EcoSystem, SoftOn/FadeToBlack, 120-277V (low and mid power only)

### Cover

- RRC = Round Recessed Cone

### Lens

- RSO = Satin Opal

### Beam

- 110 = 110° Beam Angle

### Finish<sup>5</sup>

- W = White, 15% gloss, Tiger Drylac 49/11350 (standard)
- S = Silver, 15% gloss, Tiger Drylac 49/90500<sup>6</sup>

### Options<sup>7</sup>

ProTools downlights require no additional options kits for remodel & new construction

- LP = Landing Pan
- CP = Chicago Plenum Housing
- IC = IC/NC Housing
- WL = Wet Location
- TC = Thicker ceiling clip for 1" - 3" ceilings (1/16" to 1" standard ceilings without TC)

<sup>1</sup> Other lumen packages available, consult factory.

<sup>2</sup> Wattage shown does not include power supplies/drivers. System wattage adds 10-20%.

<sup>3</sup> Delivered lumen data shown for 100RPTD-...-RRC-RSO-110-W. See Page 2 for additional details.

<sup>4</sup> See power supply page for details.

<sup>5</sup> See Tiger Drylac color chart: [inter-lux.com/tiger](http://inter-lux.com/tiger)

<sup>6</sup> Plaster trim version includes white frame and silver cover.

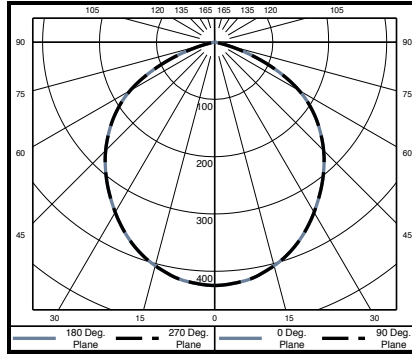
<sup>7</sup> To specify multiple options, select the appropriate grouped codes from the dropdown e.g. LP-WL.

# 4" ProTools D Downlight

## Round Recessed Cone

WG-100RPTD-RRC-RSO-110-W

Power	W	Delivered Lumens			
		2700K	3000K	3500K	4000K
L	11	700	719	758	800
M	15	976	1004	1058	1116
H	22.5	1326	1364	1437	1516



Polar Plot

Cone of Light Tabulation*		
Mounting Height (Ft)	Footcandles at Nadir	Diameter (Ft)
4	26.5	4.8
6	11.8	7.2
8	6.6	9.6
10	4.3	12
12	3	14.4
14	2.2	16.8
16	1.7	19.3

\*Tabulation uses Mid Power / 935 LED