

4" ProTools D Downlight Round Recessed Cone

Even Illumination From Regressed Lens

- 4" round aperture downlight with wide distribution ambient lighting.
- 0.7" regressed, evenly illuminated, highly efficient Satin Opal Diffuser providing good glare control.
- High efficiency, high transmission diffuser.
- Beam Angle: 110°
- Luminaire and driver installed and maintained from below the ceiling.
- Mounts in 1/16" to 1" surface.
- Modular interchangeability throughout the entire ProTools range of products.
- Wet Location as standard option (WL).

- Housing** Die-caste aluminum for precision fit and heat dissipation
Mounting hardware for all ceiling types; trim and trimless
EZ clip mounting for secure installation
Snap-in cover
Trimless housing with Quick-Snap feature allows endless multiple combinations without specialized housings
- Covers** Round aperture with minimal ceiling interruption and recessed lens
- LED** 90+ CRI
Low/Mid/High output choices
2700K, 3000K, 3500K, 4000K
- Beam** 110 degree beam spread
- Driver** Integral and remote drivers for all dimming and non-dimming applications
Through-wire integral driver enclosure installed from below without the need for bulky housing
POE driver compatibility
- Installation** Not required when using the Driver Enclosure
- Housing** Optional: IC and Chicago plenum
Optional: new construction (with j-box and driver attached)
Optional: Landing pan for use with Driver Enclosure to locate cut-out locations
- Warranty** 5-year Limited (see complete company warranty information)
- Certifications** ETL and ETL-C for dry and damp location, CE, Wet Location rated



Recessed Plaster Trim



Recessed Bezel Trim

4" ProTools D Downlight Round Recessed Cone

Model	Fixation	Power ^{1,2}	CRI/ CCT ³	Driver ⁴	Cover	Lens	Beam	Finish ⁵	Options
WG-100RPTD	RPT RBT	L M H	927 930 935 940	X S D010 PEQ0	RRC	RSO	110	W S ⁶	LP CP IC WL

Model

- WG-100RPTD = 4" ProTools D Downlight

Fixation

- RPT = Recessed Plaster Trim
- RBT = Recessed Bezel Trim

Power^{1,2}

- L = Low Power, 11W @ 350mA
- M = Mid Power, 15W @ 500mA
- H = High Power, 22.5W @ 700mA

CRI/CCT³

- 927 = 2700K, (700/976/1326 lm)
- 930 = 3000K, (719/1004/1364 lm)
- 935 = 3500K, (758/1058/1437 lm)
- 940 = 4000K, (800/1116/1516 lm)

Driver⁴

- X = Remote driver, ordered separately
- S = Standard non-dim driver, 120-277V
- D010 = EldoLED, 1%, 0-10V Driver, 120-277V
- PEQ0 = Lutron Hi-lume Premier 0.1% EcoSystem, SoftOn/FadeToBlack, 120-277V (low and mid power only)

Cover

- RRC = Round Recessed Cone

Lens

- RSO = Satin Opal

Beam

- 110 = 110° Beam Angle

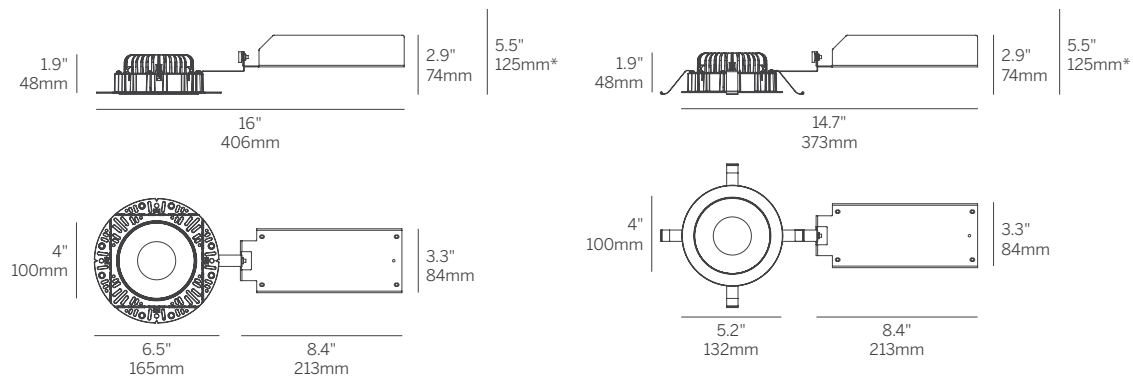
Finish⁵

- W = White, 15% gloss, Tiger Drylac 49/11350 (standard)
- S = Silver, 15% gloss, Tiger Drylac49/90500⁶

Options

ProTools downlights require no additional options kits for remodel & new construction

- LP = Landing Pan (specify for Acoustic Ceiling Tile installation)
- CP = Chicago Plenum Housing
- IC = IC/NC Housing
- WL = Wet Location



*Minimum of 5.5" (127mm) ceiling void is required to install the integral driver from below the ceiling.

technical information

Whitegoods reserves the right to change any information without prior notice.

Notes

- 1 Other lumen packages available, consult factory.
- 2 Wattage shown does not include power supplies/drivers. System wattage adds 10-20%.
- 3 Delivered lumen data shown for 100RPTD-...-RRC-RSO-110-W. See Page 2 of specsheet for additional details.
- 4 See power supply page for details.
- 5 See Tiger Drylac color chart: inter-lux.com/tiger
- 6 Plaster trim version includes white frame and silver cover.