

# 4" ProTools D Downlight Round Flush Diffuser

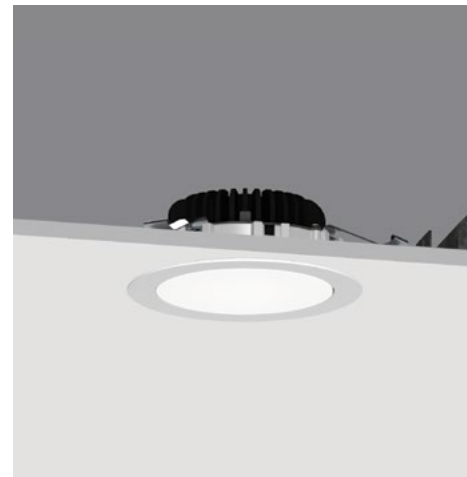
## High-Angle Distribution Ambient Lighting

- 4" aperture square downlight for wide distribution ambient lighting.
- High angle distribution giving good vertical illumination.
- High transmission, evenly illuminated Flush Satin Diffuser.
- Beam Angle: Lambertian
- Luminaire and driver installed and maintained below the ceiling.
- Mounts in 1/16" to 1" surface.
- Modular interchangeability throughout the entire ProTools range of products.

- Housing** Die-cast aluminum for precision fit and heat dissipation  
Mounting hardware for all ceiling types; trim and trimless  
EZ clip mounting for secure installation  
Snap-in cover  
Trimless housing with Quick-Snap feature allows endless multiple combinations without specialized housings
- Covers** Round aperture with minimal ceiling interruption and flush lens
- LED** 90+ CRI  
Low/Mid/High output choices  
2700K, 3000K, 3500K, 4000K
- Beam** Lambertian
- Driver** Integral and remote drivers for all dimming and non-dimming applications  
Through-wire integral driver enclosure installed from below without the need for bulky housing  
POE driver compatibility
- Installation** Not required when using the Driver Enclosure
- Housing** Optional: IC and Chicago plenum  
Optional: new construction (with j-box and driver attached)  
Optional: Landing pan for use with Driver Enclosure to locate cut-out locations
- Warranty** 5-year Limited (see complete company warranty information)
- Certifications** ETL and ETL-C for dry and damp location, CE



Recessed Plaster Trim

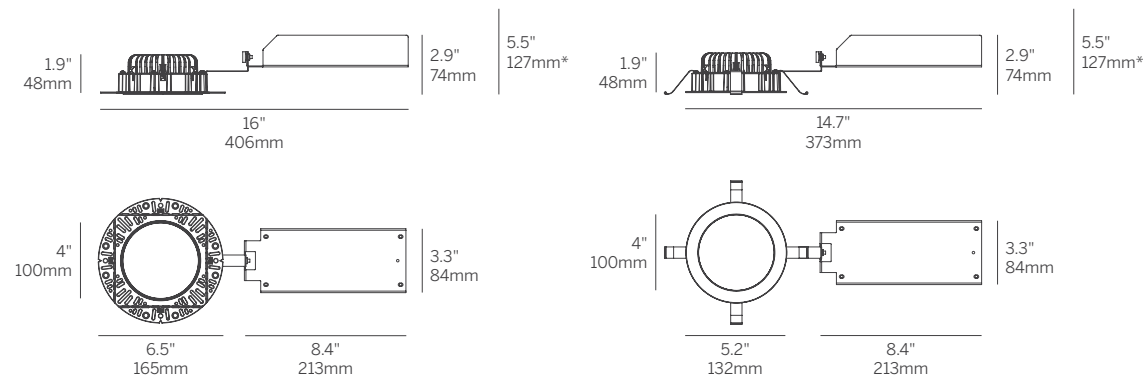


Recessed Bezel Trim

# 4" ProTools D Downlight Round Flush Diffuser

Model	Fixation	Power <sup>1,2</sup>	CRI/CCT <sup>3</sup>	Driver <sup>4</sup>	Lens	Beam	Finish <sup>5</sup>	Options
WG-100RPTD	RPT RBT	L M H	927 930 935 940	X S D010 PEQ0	FROD	LAM	W S <sup>6</sup>	LP CP IC

- Model**
- WG-100RPTD = 4" ProTools D Downlight
- Fixation**
- RPT = Recessed Plaster Trim
  - RBT = Recessed Bezel Trim
- Power<sup>1,2</sup>**
- L = Low Power, 11W @ 350mA
  - M = Mid Power, 15W @ 500mA
  - H = High Power, 22.5W @ 700mA
- CRI/CCT<sup>3</sup>**
- 90+ CRI (Low/Mid/High Power)
- 927 = 2700K, (849/1185/1609 lm)
  - 930 = 3000K, (873/1218/1655 lm)
  - 935 = 3500K, (920/1284/1744 lm)
  - 940 = 4000K, (971/1354/1839 lm)
- Driver<sup>c</sup>**
- X = Remote driver, ordered separately
  - S = Standard non-dim driver, 120-277V
  - D010 = EldoLED, 1%, 0-10V Driver, 120-277V
  - PEQ0 = Lutron Hi-lume Premier 0.1% EcoSystem, SoftOn/FadeToBlack, 120-277V (low and mid power only)
- Lens**
- FROD = Flush Round Satin Opal Lens
- Beam**
- LAM = Lambertian
- Finish<sup>5</sup>**
- W = White, 15% gloss, Tiger Drylac 49/11350 (standard)
  - S = Silver, 15% gloss, Tiger Drylac49/90500<sup>6</sup>
- Options**
- ProTools downlights require no additional options kits for remodel & new construction
- LP = Landing Pan (specify for Acoustic Ceiling Tile installation)
  - CP = Chicago Plenum Housing
  - IC = IC/NC Housing



\*Minimum of 5.5" (127mm) ceiling void is required to install the integral driver from below the ceiling.

technical information

Whitegoods reserves the right to change any information without prior notice.

- Notes**
- 1 Other lumen packages available, consult factory.
  - 2 Wattage shown does not include power supplies/drivers. System wattage adds 10-20%.
  - 3 Delivered lumen data shown for 100RPTD-...-FROD-LAM-W. See Page 2 of specsheet for additional details.
  - 4 See power supply page for details.
  - 5 See Tiger Drylac color chart: [inter-lux.com/tiger](http://inter-lux.com/tiger)
  - 6 Plaster trim version includes white frame and silver cover.