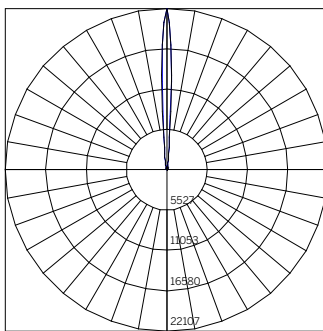


SUELO PRO Fixed Optics Vandal Resistant

FIXED OPTICS VANDAL RESISTANT

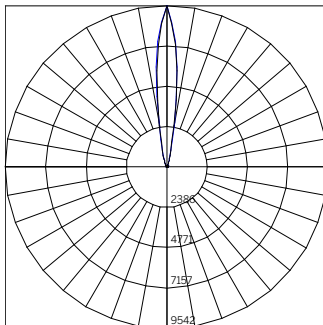
SUP-SFSTVR-F-...-NSP-...				
Delivered Lumens - Narrow Spot				
		Length [Wattage]		
		20 [2 CC / CV]	44 [8CC / 9CV]	67 [15 IND]
CCT	27	-	584	-
	30	-	584	-
	40	-	626	-
Polar Plot / Cone Of Light Multiplier				
		20 [2 CC / CV]	44 [8CC / 9CV]	67 [15 IND]
		-	1.00	-



Beam Angle (0-180) = 6.5
Beam Angle (90-270) = 6.8

CONE OF LIGHT - 8W 3000K NARROW SPOT SUP-SFSTVR-F-44-8-CC-30-NSP*		
Throw Distance [Ft]	Illuminance [fc at max cd]	Beam Diameter [Ft]
20	55	2.3
18	68	2.0
16	86	1.8
14	113	1.6
12	154	1.4
10	221	1.1
8	345	0.9
6	614	0.7
4	1382	0.5
2	5527	0.2

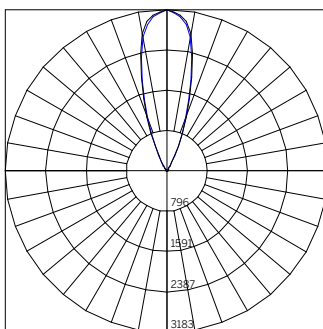
SUP-SFSTVR-F-...-SP-...				
Delivered Lumens - Spot				
		Length [Wattage]		
		20 [2 CC / CV]	44 [8CC / 9CV]	67 [15 IND]
CCT	27	138	532	947
	30	157	532	987
	40	168	571	1043
Polar Plot / Cone Of Light Multiplier				
		20 [2 CC / CV]	44 [8CC / 9CV]	67 [15 IND]
		0.16	0.54	1.00



Beam Angle (0-180) = 14.7
Beam Angle (90-270) = 14.2

CONE OF LIGHT - 15W 3000K SPOT SUP-SFSTVR-F-67-15-IND-30-SP*		
Throw Distance [Ft]	Illuminance [fc at max cd]	Beam Diameter [Ft]
20	24	5.2
18	29	4.7
16	37	4.1
14	49	3.6
12	66	3.1
10	95	2.6
8	149	2.1
6	265	1.6
4	596	1.0
2	2386	0.5

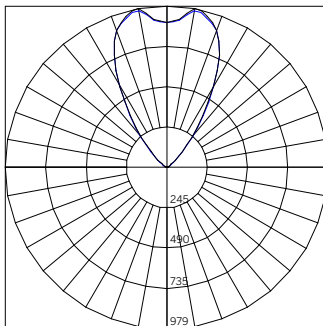
SUP-SFSTVR-F-...-FL-...				
Delivered Lumens - Flood				
		Length [Wattage]		
		20 [2 CC / CV]	44 [8CC / 9CV]	67 [15 IND]
CCT	27	121	514	1103
	30	138	514	1149
	40	148	552	1213
Polar Plot / Cone Of Light Multiplier				
		20 [2 CC / CV]	44 [8CC / 9CV]	67 [15 IND]
		0.12	0.45	1.00



Beam Angle (0-180) = 33.3
Beam Angle (90-270) = 33.9

CONE OF LIGHT - 15W 3000K FLOOD SUP-SFSTVR-F-67-15-IND-30-FL*		
Throw Distance [Ft]	Illuminance [fc at max cd]	Beam Diameter [Ft]
20	8	12.0
18	10	10.8
16	12	9.6
14	16	8.4
12	22	7.2
10	32	6.0
8	50	4.8
6	88	3.6
4	199	2.4
2	796	1.2

SUP-SFSTVR-F-...-WFL-...				
Delivered Lumens - Wide Flood				
		Length [Wattage]		
		20 [2 CC / CV]	44 [8CC / 9CV]	67 [15 IND]
CCT	27	124	482	1064
	30	141	482	1090
	40	151	517	1150
Polar Plot / Cone Of Light Multiplier				
		20 [2 CC / CV]	44 [8CC / 9CV]	67 [15 IND]
		0.13	0.44	1.00



Beam Angle (0-180) = 64.1
Beam Angle (90-270) = 64.0

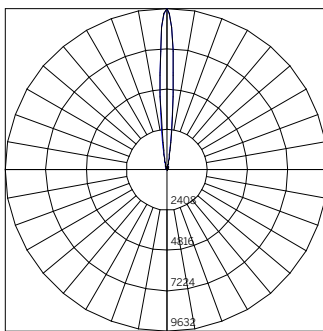
CONE OF LIGHT - 15W 3000K WIDE FLOOD SUP-SFSTVR-F-67-15-IND-30-WFL*		
Throw Distance [Ft]	Illuminance [fc at max cd]	Beam Diameter [Ft]
20	2	25.0
18	3	22.5
16	4	20.0
14	5	17.5
12	7	15.0
10	10	12.5
8	15	10.0
6	27	7.5
4	61	5.0
2	245	2.5

*Polar Plot and Cone of Light are applicable to part number noted; use Multiplication Factor table to approximate other models or refer to online photometry.

SUELO PRO Fixed Optics Vandal Resistant

FIXED OPTICS VANDAL RESISTANT - HC HONEYCOMB LOUVER

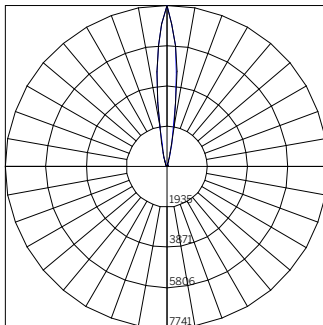
SUP-SFSTVR-FHC-...-NSP-... Delivered Lumens - Narrow Spot				
		Length [Wattage]		
		20 [2 CC / CV]	44 [8CC / 9CV]	67 [15 IND]
CCT	27	-	463	-
	30	-	463	-
	40	-	501	-
Polar Plot / Cone Of Light Multiplier				
		20 [2 CC / CV]	44 [8CC / 9CV]	67 [15 IND]
		-	1.00	-



Beam Angle (0-180) = 9.7
Beam Angle (90-270) = 9.3

CONE OF LIGHT - 8W 3000K NARROW SPOT SUP-SFSTVR-FHC-44-8-CC-30-NSP*		
Throw Distance [Ft]	Illuminance [fc at max cd]	Beam Diameter [Ft]
20	24	3.4
18	30	3.1
16	38	2.7
14	49	2.4
12	67	2.0
10	96	1.7
8	151	1.4
6	268	1.0
4	602	0.7
2	2408	0.3

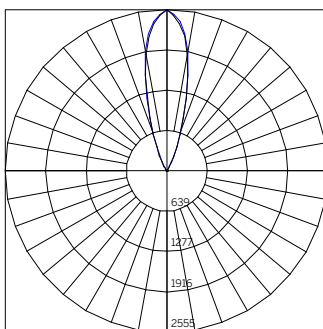
SUP-SFSTVR-FHC-...-SP-... Delivered Lumens - Spot				
		Length [Wattage]		
		20 [2 CC / CV]	44 [8CC / 9CV]	67 [15 IND]
CCT	27	97	434	632
	30	110	434	658
	40	118	470	694
Polar Plot / Cone Of Light Multiplier				
		20 [2 CC / CV]	44 [8CC / 9CV]	67 [15 IND]
		0.17	0.66	1.00



Beam Angle (0-180) = 13.8
Beam Angle (90-270) = 14.0

CONE OF LIGHT - 15W 3000K SPOT SUP-SFSTVR-FHC-67-15-IND-30-SP*		
Throw Distance [Ft]	Illuminance [fc at max cd]	Beam Diameter [Ft]
20	19	4.8
18	24	4.4
16	30	3.9
14	39	3.4
12	54	2.9
10	77	2.4
8	121	1.9
6	215	1.5
4	484	1.0
2	1935	0.5

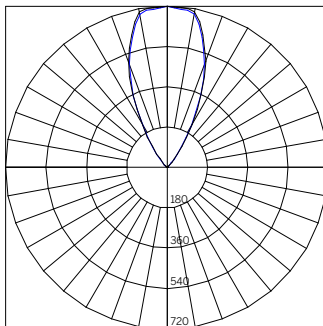
SUP-SFSTVR-FHC-...-FL-... Delivered Lumens - Flood				
		Length [Wattage]		
		20 [2 CC / CV]	44 [8CC / 9CV]	67 [15 IND]
CCT	27	76	449	672
	30	86	449	700
	40	92	486	739
Polar Plot / Cone Of Light Multiplier				
		20 [2 CC / CV]	44 [8CC / 9CV]	67 [15 IND]
		0.12	0.64	1.00



Beam Angle (0-180) = 29.0
Beam Angle (90-270) = 28.8

CONE OF LIGHT - 15W 3000K FLOOD SUP-SFSTVR-FHC-67-15-IND-30-FL*		
Throw Distance [Ft]	Illuminance [fc at max cd]	Beam Diameter [Ft]
20	6	10.3
18	8	9.3
16	10	8.3
14	13	7.2
12	18	6.2
10	26	5.2
8	40	4.1
6	71	3.1
4	160	2.1
2	639	1.0

SUP-SFSTVR-FHC-...-WFL-... Delivered Lumens - Wide Flood				
		Length [Wattage]		
		20 [2 CC / CV]	44 [8CC / 9CV]	67 [15 IND]
CCT	27	70	277	474
	30	80	277	494
	40	85	299	522
Polar Plot / Cone Of Light Multiplier				
		20 [2 CC / CV]	44 [8CC / 9CV]	67 [15 IND]
		0.16	0.56	1.00



Beam Angle (0-180) = 49.6
Beam Angle (90-270) = 50.4

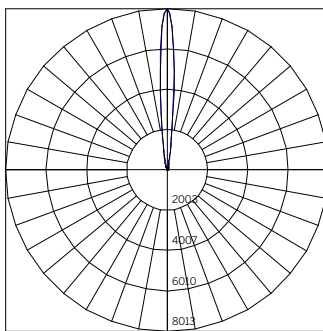
CONE OF LIGHT - 15W 3000K WIDE FLOOD SUP-SFSTVR-FHC-67-15-IND-30-WFL*		
Throw Distance [Ft]	Illuminance [fc at max cd]	Beam Diameter [Ft]
20	2	18.5
18	2	16.6
16	3	14.8
14	4	12.9
12	5	11.1
10	7	9.2
8	11	7.4
6	20	5.5
4	45	3.7
2	180	1.8

*Polar Plot and Cone of Light are applicable to part number noted; use Multiplication Factor table to approximate other models or refer to online photometry.

SUELO PRO Fixed Optics Vandal Resistant

FIXED OPTICS VANDAL RESISTANT - DL DARK LIGHT

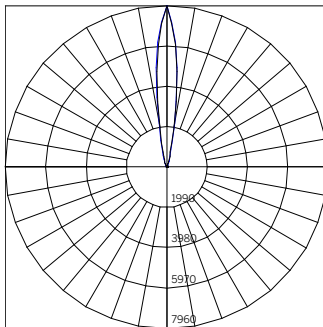
SUP-SFSTVR-FDL-...-NSP-...				
Delivered Lumens - Narrow Spot				
		Length [Wattage]		
		20 [2 CC / CV]	44 [8CC / 9CV]	67 [15 IND]
CCT	27	-	426	-
	30	-	426	-
	40	-	461	-
Polar Plot / Cone Of Light Multiplier				
		20 [2 CC / CV]	44 [8CC / 9CV]	67 [15 IND]
		-	1.00	-



Beam Angle (0-180) = 9.8
Beam Angle (90-270) = 9.8

CONE OF LIGHT - 8W 3000K NARROW SPOT SUP-SFSTVR-FDL-44-8-CC-30-NSP*		
Throw Distance [Ft]	Illuminance [fc at max cd]	Beam Diameter [Ft]
20	20	3.4
18	25	3.1
16	31	2.7
14	41	2.4
12	56	2.1
10	80	1.7
8	125	1.4
6	223	1.0
4	501	0.7
2	2003	0.3

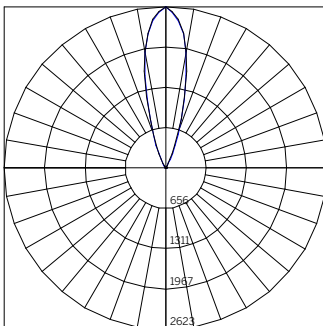
SUP-SFSTVR-FDL-...-SP-...				
Delivered Lumens - Spot				
		Length [Wattage]		
		20 [2 CC / CV]	44 [8CC / 9CV]	67 [15 IND]
CCT	27	-	367	710
	30	-	367	741
	40	-	396	783
Polar Plot / Cone Of Light Multiplier				
		20 [2 CC / CV]	44 [8CC / 9CV]	67 [15 IND]
		-	0.50	1.00



Beam Angle (0-180) = 14.6
Beam Angle (90-270) = 14.0

CONE OF LIGHT - 15W 3000K SPOT SUP-SFSTVR-FDL-67-15-IND-30-SP*		
Throw Distance [Ft]	Illuminance [fc at max cd]	Beam Diameter [Ft]
20	20	5.1
18	25	4.6
16	31	4.1
14	41	3.6
12	55	3.1
10	80	2.6
8	124	2.1
6	221	1.5
4	498	1.0
2	1990	0.5

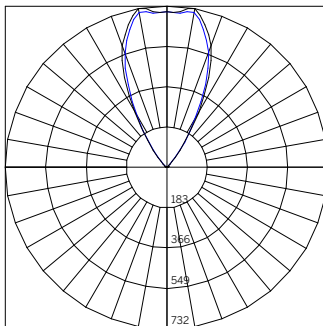
SUP-SFSTVR-FDL-...-FL-...				
Delivered Lumens - Flood				
		Length [Wattage]		
		20 [2 CC / CV]	44 [8CC / 9CV]	67 [15 IND]
CCT	27	-	353	672
	30	-	353	700
	40	-	382	739
Polar Plot / Cone Of Light Multiplier				
		20 [2 CC / CV]	44 [8CC / 9CV]	67 [15 IND]
		-	0.50	1.00



Beam Angle (0-180) = 28.1
Beam Angle (90-270) = 28.6

CONE OF LIGHT - 15W 3000K FLOOD SUP-SFSTVR-FDL-67-15-IND-30-FL*		
Throw Distance [Ft]	Illuminance [fc at max cd]	Beam Diameter [Ft]
20	7	10.0
18	8	9.0
16	10	8.0
14	13	7.0
12	18	6.0
10	26	5.0
8	41	4.0
6	73	3.0
4	164	2.0
2	656	1.0

SUP-SFSTVR-FDL-...-WFL-...				
Delivered Lumens - Wide Flood				
		Length [Wattage]		
		20 [2 CC / CV]	44 [8CC / 9CV]	67 [15 IND]
CCT	27	-	294	547
	30	-	294	571
	40	-	318	603
Polar Plot / Cone Of Light Multiplier				
		20 [2 CC / CV]	44 [8CC / 9CV]	67 [15 IND]
		-	0.51	1.00



Beam Angle (0-180) = 53.8
Beam Angle (90-270) = 55.2

CONE OF LIGHT - 15W 3000K WIDE FLOOD SUP-SFSTVR-FDL-67-15-IND-30-WFL*		
Throw Distance [Ft]	Illuminance [fc at max cd]	Beam Diameter [Ft]
20	2	20.9
18	2	18.8
16	3	16.7
14	4	14.6
12	5	12.5
10	7	10.4
8	11	8.4
6	20	6.3
4	46	4.2
2	183	2.1

*Polar Plot and Cone of Light are applicable to part number noted; use Multiplication Factor table to approximate other models or refer to online photometry.