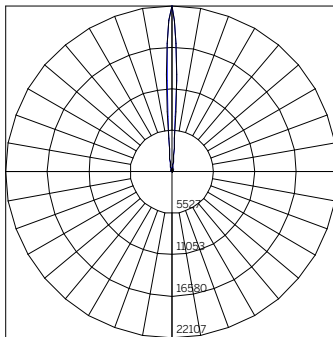


FIXED OPTICS

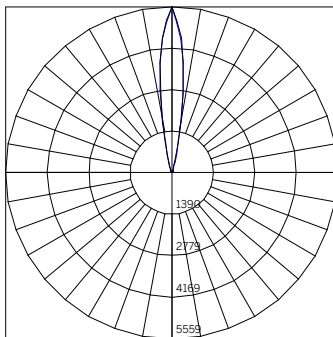
| SUP-SFST-F-...-NSP-... | | | | |
|--------------------------------|----|---------------------------------------|----------------|----------------|
| Delivered Lumens - Narrow Spot | | | | |
| | | Diameter [Wattage] | | |
| | | 14 [2 CC / CV] | 25 [4 CC / CV] | 36 [7 CC / CV] |
| CCT | 27 | - | - | 584 |
| | 30 | - | - | 584 |
| | 40 | - | - | 626 |
| | | Polar Plot / Cone Of Light Multiplier | | |
| | | 14 [2 CC / CV] | 25 [4 CC / CV] | 36 [7 CC / CV] |
| | | - | - | 1.00 |



Beam Angle (0-180) = 6.5
Beam Angle (90-270) = 6.8

| CONE OF LIGHT - 7W 3000K NARROW SPOT SUP-SFST-F-36-7-CC-30-NSP* | | |
|--|----------------------------|--------------------|
| Throw Distance [Ft] | Illuminance [fc at max cd] | Beam Diameter [Ft] |
| 20 | 55 | 2.3 |
| 18 | 68 | 2.0 |
| 16 | 86 | 1.8 |
| 14 | 113 | 1.6 |
| 12 | 154 | 1.4 |
| 10 | 221 | 1.1 |
| 8 | 345 | 0.9 |
| 6 | 614 | 0.7 |
| 4 | 1382 | 0.5 |
| 2 | 5527 | 0.2 |

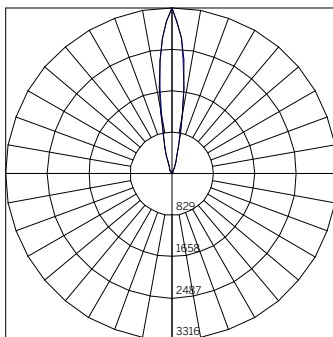
| SUP-SFST-F-...-SP-... | | | | |
|-------------------------|----|---------------------------------------|----------------|----------------|
| Delivered Lumens - Spot | | | | |
| | | Diameter [Wattage] | | |
| | | 14 [2 CC / CV] | 25 [4 CC / CV] | 36 [7 CC / CV] |
| CCT | 27 | 138 | - | 532 |
| | 30 | 157 | - | 532 |
| | 40 | 168 | - | 571 |
| | | Polar Plot / Cone Of Light Multiplier | | |
| | | 14 [2 CC / CV] | 25 [4 CC / CV] | 36 [7 CC / CV] |
| | | 0.30 | - | 1.00 |



Beam Angle (0-180) = 16.0
Beam Angle (90-270) = 15.6

| CONE OF LIGHT - 7W 3000K SPOT SUP-SFST-F-36-7-CC-30-SP* | | |
|--|----------------------------|--------------------|
| Throw Distance [Ft] | Illuminance [fc at max cd] | Beam Diameter [Ft] |
| 20 | 14 | 5.6 |
| 18 | 17 | 5.1 |
| 16 | 22 | 4.5 |
| 14 | 28 | 3.9 |
| 12 | 39 | 3.4 |
| 10 | 56 | 2.8 |
| 8 | 87 | 2.2 |
| 6 | 154 | 1.7 |
| 4 | 347 | 1.1 |
| 2 | 1390 | 0.6 |

| SUP-SFST-F-...-NFL-... | | | | |
|---------------------------------|----|---------------------------------------|----------------|----------------|
| Delivered Lumens - Narrow Flood | | | | |
| | | Diameter [Wattage] | | |
| | | 14 [2 CC / CV] | 25 [4 CC / CV] | 36 [7 CC / CV] |
| CCT | 27 | - | 384 | - |
| | 30 | - | 384 | - |
| | 40 | - | 414 | - |
| | | Polar Plot / Cone Of Light Multiplier | | |
| | | 14 [2 CC / CV] | 25 [4 CC / CV] | 36 [7 CC / CV] |
| | | - | 1.00 | - |



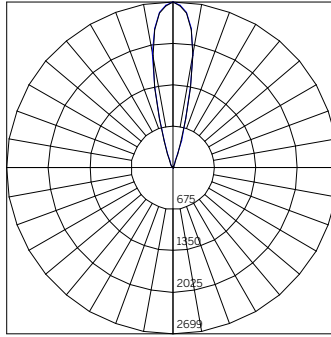
Beam Angle (0-180) = 16.4
Beam Angle (90-270) = 16.7

| CONE OF LIGHT - 4W 3000K NARROW FLOOD SUP-SFST-F-25-4-CC-30-NFL* | | |
|--|----------------------------|--------------------|
| Throw Distance [Ft] | Illuminance [fc at max cd] | Beam Diameter [Ft] |
| 20 | 8 | 5.8 |
| 18 | 10 | 5.2 |
| 16 | 13 | 4.6 |
| 14 | 17 | 4.0 |
| 12 | 23 | 3.5 |
| 10 | 33 | 2.9 |
| 8 | 52 | 2.3 |
| 6 | 92 | 1.7 |
| 4 | 207 | 1.2 |
| 2 | 829 | 0.6 |

*Polar Plot and Cone of Light are applicable to part number noted; use Multiplication Factor table to approximate other models or refer to online photometry.

FIXED OPTICS

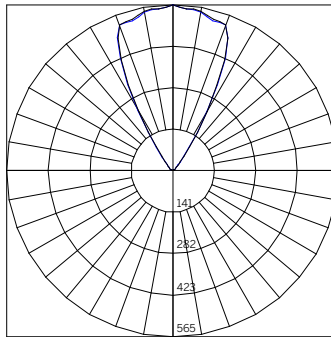
| SUP-SFST-F-...-FL-... Delivered Lumens - Flood | | | | |
|---|----|---------------------------------------|----------------|----------------|
| | | Diameter [Wattage] | | |
| | | 14 [2 CC / CV] | 25 [4 CC / CV] | 36 [7 CC / CV] |
| CCT | 27 | 121 | 209 | 514 |
| | 30 | 138 | 209 | 514 |
| | 40 | 148 | 224 | 552 |
| | | Polar Plot / Cone Of Light Multiplier | | |
| | | 14 [2 CC / CV] | 25 [4 CC / CV] | 36 [7 CC / CV] |
| | | 0.27 | 0.41 | 1.00 |



Beam Angle (0-180) = 25.1
Beam Angle (90-270) = 24.8

| CONE OF LIGHT - 7W 3000K FLOOD SUP-SFST-F-36-7-CC-30-FL* | | |
|---|----------------------------|--------------------|
| Throw Distance [Ft] | Illuminance [fc at max cd] | Beam Diameter [Ft] |
| 20 | 7 | 8.9 |
| 18 | 8 | 8.0 |
| 16 | 11 | 7.1 |
| 14 | 14 | 6.2 |
| 12 | 19 | 5.3 |
| 10 | 27 | 4.5 |
| 8 | 42 | 3.6 |
| 6 | 75 | 2.7 |
| 4 | 169 | 1.8 |
| 2 | 675 | 0.9 |

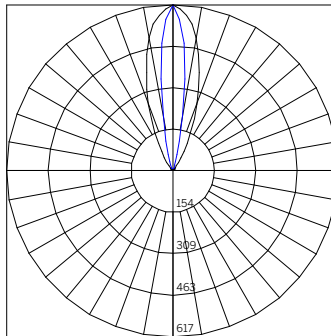
| SUP-SFST-F-...-WFL-... Delivered Lumens - Wide Flood | | | | |
|---|----|---------------------------------------|----------------|----------------|
| | | Diameter [Wattage] | | |
| | | 14 [2 CC / CV] | 25 [4 CC / CV] | 36 [7 CC / CV] |
| CCT | 27 | 124 | 250 | 482 |
| | 30 | 141 | 250 | 482 |
| | 40 | 151 | 270 | 517 |
| | | Polar Plot / Cone Of Light Multiplier | | |
| | | 14 [2 CC / CV] | 25 [4 CC / CV] | 36 [7 CC / CV] |
| | | 0.29 | 0.52 | 1.00 |



Beam Angle (0-180) = 57.5
Beam Angle (90-270) = 57.4

| CONE OF LIGHT - 7W 3000K WIDE FLOOD SUP-SFST-F-36-7-CC-30-WFL* | | |
|---|----------------------------|--------------------|
| Throw Distance [Ft] | Illuminance [fc at max cd] | Beam Diameter [Ft] |
| 20 | 1 | 21.9 |
| 18 | 2 | 19.7 |
| 16 | 2 | 17.6 |
| 14 | 3 | 15.4 |
| 12 | 4 | 13.2 |
| 10 | 6 | 11.0 |
| 8 | 9 | 8.8 |
| 6 | 16 | 6.6 |
| 4 | 35 | 4.4 |
| 2 | 141 | 2.2 |

| SUP-SFST-F-...-EL-... Delivered Lumens - Elliptic | | | | |
|--|----|---------------------------------------|----------------|----------------|
| | | Diameter [Wattage] | | |
| | | 14 [2 CC / CV] | 25 [4 CC / CV] | 36 [7 CC / CV] |
| CCT | 27 | 139 | - | - |
| | 30 | 158 | - | - |
| | 40 | 169 | - | - |
| | | Polar Plot / Cone Of Light Multiplier | | |
| | | 14 [2 CC / CV] | 25 [4 CC / CV] | 36 [7 CC / CV] |
| | | 1.00 | - | - |



Beam Angle (0-180) = 16.3
Beam Angle (90-270) = 36.0

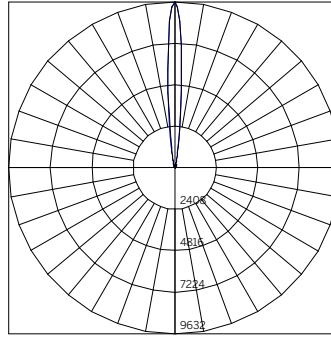
| CONE OF LIGHT - 2W 3000K ELLIPTIC SUP-SFST-F-14-2-CC-30-EL* | | |
|--|----------------------------|--------------------|
| Throw Distance [Ft] | Illuminance [fc at max cd] | Beam Diameter [Ft] |
| 20 | 2 | 5.7 |
| 18 | 2 | 5.2 |
| 16 | 3 | 4.6 |
| 14 | 4 | 4.0 |
| 12 | 5 | 3.4 |
| 10 | 7 | 2.9 |
| 8 | 11 | 2.3 |
| 6 | 19 | 1.7 |
| 4 | 44 | 1.1 |
| 2 | 175 | 0.6 |

*Polar Plot and Cone of Light are applicable to part number noted; use Multiplication Factor table to approximate other models or refer to online photometry.

SUELO PRO Fixed Optics

FIXED OPTICS - HC HONEYCOMB LOUVER

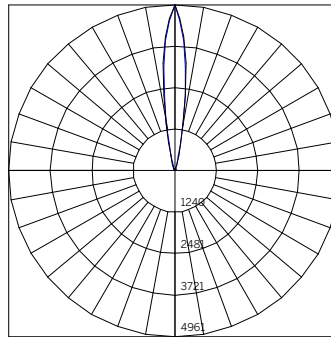
| SUP-SFST-FHC-...-NSP-... | | | | |
|---------------------------------------|----|--------------------|----------------|----------------|
| Delivered Lumens - Narrow Spot | | | | |
| | | Diameter [Wattage] | | |
| | | 14 [2 CC / CV] | 25 [4 CC / CV] | 36 [7 CC / CV] |
| CCT | 27 | - | - | 463 |
| | 30 | - | - | 463 |
| | 40 | - | - | 501 |
| Polar Plot / Cone Of Light Multiplier | | | | |
| | | 14 [2 CC / CV] | 25 [4 CC / CV] | 36 [7 CC / CV] |
| | | - | - | 1.00 |



Beam Angle (0-180) = 9.7
Beam Angle (90-270) = 9.3

| CONE OF LIGHT - 7W 3000K NARROW SPOT SUP-SFST-FHC-36-7-CC-30-NSP* | | |
|--|----------------------------|--------------------|
| Throw Distance [Ft] | Illuminance [fc at max cd] | Beam Diameter [Ft] |
| 20 | 24 | 3.4 |
| 18 | 30 | 3.1 |
| 16 | 38 | 2.7 |
| 14 | 49 | 2.4 |
| 12 | 67 | 2.0 |
| 10 | 96 | 1.7 |
| 8 | 151 | 1.4 |
| 6 | 268 | 1.0 |
| 4 | 602 | 0.7 |
| 2 | 2408 | 0.3 |

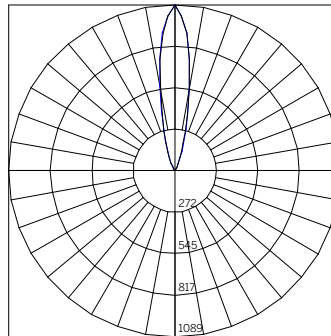
| SUP-SFST-FHC-...-SP-... | | | | |
|---------------------------------------|----|--------------------|----------------|----------------|
| Delivered Lumens - Spot | | | | |
| | | Diameter [Wattage] | | |
| | | 14 [2 CC / CV] | 25 [4 CC / CV] | 36 [7 CC / CV] |
| CCT | 27 | 97 | - | 434 |
| | 30 | 110 | - | 434 |
| | 40 | 118 | - | 470 |
| Polar Plot / Cone Of Light Multiplier | | | | |
| | | 14 [2 CC / CV] | 25 [4 CC / CV] | 36 [7 CC / CV] |
| | | 0.25 | - | 1.00 |



Beam Angle (0-180) = 14.9
Beam Angle (90-270) = 15.2

| CONE OF LIGHT - 7W 3000K SPOT SUP-SFST-FHC-36-7-CC-30-SP* | | |
|--|----------------------------|--------------------|
| Throw Distance [Ft] | Illuminance [fc at max cd] | Beam Diameter [Ft] |
| 20 | 12 | 5.2 |
| 18 | 15 | 4.7 |
| 16 | 19 | 4.2 |
| 14 | 25 | 3.7 |
| 12 | 34 | 3.1 |
| 10 | 50 | 2.6 |
| 8 | 78 | 2.1 |
| 6 | 138 | 1.6 |
| 4 | 310 | 1.0 |
| 2 | 1240 | 0.5 |

| SUP-SFST-FHC-...-NFL-... | | | | |
|---------------------------------------|----|--------------------|----------------|----------------|
| Delivered Lumens - Narrow Flood | | | | |
| | | Diameter [Wattage] | | |
| | | 14 [2 CC / CV] | 25 [4 CC / CV] | 36 [7 CC / CV] |
| CCT | 27 | - | 195 | - |
| | 30 | - | 195 | - |
| | 40 | - | 210 | - |
| Polar Plot / Cone Of Light Multiplier | | | | |
| | | 14 [2 CC / CV] | 25 [4 CC / CV] | 36 [7 CC / CV] |
| | | - | 1.00 | - |



Beam Angle (0-180) = 20.7
Beam Angle (90-270) = 20.1

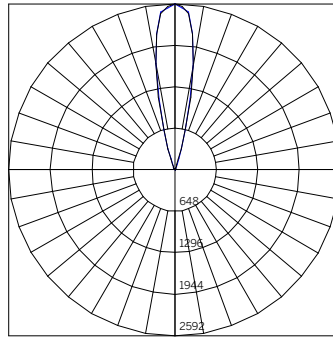
| CONE OF LIGHT - 4W 3000K NARROW FLOOD SUP-SFST-FHC-25-4-CC-30-NFL* | | |
|--|----------------------------|--------------------|
| Throw Distance [Ft] | Illuminance [fc at max cd] | Beam Diameter [Ft] |
| 20 | 3 | 7.3 |
| 18 | 3 | 6.6 |
| 16 | 4 | 5.8 |
| 14 | 6 | 5.1 |
| 12 | 8 | 4.4 |
| 10 | 11 | 3.6 |
| 8 | 17 | 2.9 |
| 6 | 30 | 2.2 |
| 4 | 68 | 1.5 |
| 2 | 272 | 0.7 |

*Polar Plot and Cone of Light are applicable to part number noted; use Multiplication Factor table to approximate other models or refer to online photometry.

SUELO PRO Fixed Optics

FIXED OPTICS - HC HONEYCOMB LOUVER

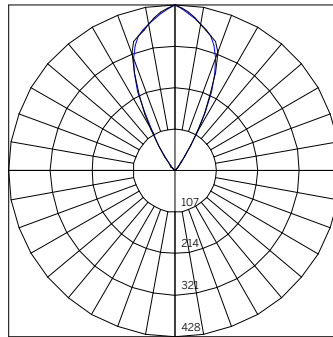
| SUP-SFST-FHC-...-FL-... | | | | |
|--------------------------|----|---------------------------------------|----------------|----------------|
| Delivered Lumens - Flood | | | | |
| | | Diameter [Wattage] | | |
| | | 14 [2 CC / CV] | 25 [4 CC / CV] | 36 [7 CC / CV] |
| CCT | 27 | 76 | 169 | 449 |
| | 30 | 86 | 169 | 449 |
| | 40 | 92 | 182 | 486 |
| | | Polar Plot / Cone Of Light Multiplier | | |
| | | 14 [2 CC / CV] | 25 [4 CC / CV] | 36 [7 CC / CV] |
| | | 0.19 | 0.38 | 1.00 |



Beam Angle (0-180) = 23.5
Beam Angle (90-270) = 23.8

| CONE OF LIGHT - 7W 3000K FLOOD SUP-SFST-FHC-36-7-CC-30-FL* | | |
|---|----------------------------|--------------------|
| Throw Distance [Ft] | Illuminance [fc at max cd] | Beam Diameter [Ft] |
| 20 | 6 | 8.3 |
| 18 | 8 | 7.5 |
| 16 | 10 | 6.7 |
| 14 | 13 | 5.8 |
| 12 | 18 | 5.0 |
| 10 | 26 | 4.2 |
| 8 | 41 | 3.3 |
| 6 | 72 | 2.5 |
| 4 | 162 | 1.7 |
| 2 | 648 | 0.8 |

| SUP-SFST-FHC-...-WFL-... | | | | |
|-------------------------------|----|---------------------------------------|----------------|----------------|
| Delivered Lumens - Wide Flood | | | | |
| | | Diameter [Wattage] | | |
| | | 14 [2 CC / CV] | 25 [4 CC / CV] | 36 [7 CC / CV] |
| CCT | 27 | 70 | 164 | 277 |
| | 30 | 80 | 164 | 277 |
| | 40 | 85 | 177 | 299 |
| | | Polar Plot / Cone Of Light Multiplier | | |
| | | 14 [2 CC / CV] | 25 [4 CC / CV] | 36 [7 CC / CV] |
| | | 0.29 | 0.59 | 1.00 |



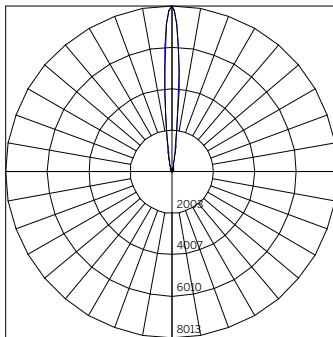
Beam Angle (0-180) = 51.0
Beam Angle (90-270) = 50.1

| CONE OF LIGHT - 7W 3000K WIDE FLOOD SUP-SFST-FHC-36-7-CC-30-WFL* | | |
|---|----------------------------|--------------------|
| Throw Distance [Ft] | Illuminance [fc at max cd] | Beam Diameter [Ft] |
| 20 | 1 | 19.1 |
| 18 | 1 | 17.2 |
| 16 | 2 | 15.2 |
| 14 | 2 | 13.3 |
| 12 | 3 | 11.4 |
| 10 | 4 | 9.5 |
| 8 | 7 | 7.6 |
| 6 | 12 | 5.7 |
| 4 | 27 | 3.8 |
| 2 | 107 | 1.9 |

*Polar Plot and Cone of Light are applicable to part number noted; use Multiplication Factor table to approximate other models or refer to online photometry.

FIXED OPTICS - DL DARK LIGHT

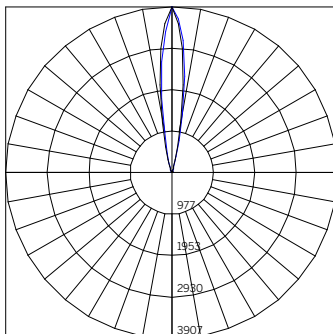
| SUP-SFST-FDL-...-NSP-... | | | | |
|--------------------------------|----|---------------------------------------|----------------|----------------|
| Delivered Lumens - Narrow Spot | | | | |
| | | Diameter [Wattage] | | |
| | | 14 [2 CC / CV] | 25 [4 CC / CV] | 36 [7 CC / CV] |
| CCT | 27 | - | - | 426 |
| | 30 | - | - | 426 |
| | 40 | - | - | 461 |
| | | Polar Plot / Cone Of Light Multiplier | | |
| | | 14 [2 CC / CV] | 25 [4 CC / CV] | 36 [7 CC / CV] |
| | | - | - | 1.00 |



Beam Angle (0-180) = 9.8
Beam Angle (90-270) = 9.8

| CONE OF LIGHT - 7W 3000K NARROW SPOT SUP-SFST-FDL-36-7-CC-30-NSP* | | |
|--|----------------------------|--------------------|
| Throw Distance [Ft] | Illuminance [fc at max cd] | Beam Diameter [Ft] |
| 20 | 20 | 3.4 |
| 18 | 25 | 3.1 |
| 16 | 31 | 2.7 |
| 14 | 41 | 2.4 |
| 12 | 56 | 2.1 |
| 10 | 80 | 1.7 |
| 8 | 125 | 1.4 |
| 6 | 223 | 1.0 |
| 4 | 501 | 0.7 |
| 2 | 2003 | 0.3 |

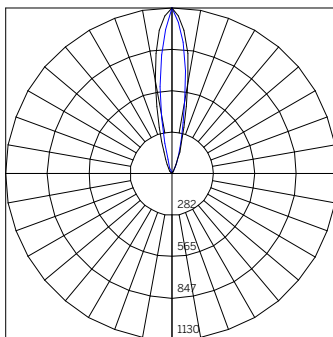
| SUP-SFST-FDL-...-SP-... | | | | |
|-------------------------|----|---------------------------------------|----------------|----------------|
| Delivered Lumens - Spot | | | | |
| | | Diameter [Wattage] | | |
| | | 14 [2 CC / CV] | 25 [4 CC / CV] | 36 [7 CC / CV] |
| CCT | 27 | - | - | 367 |
| | 30 | - | - | 367 |
| | 40 | - | - | 396 |
| | | Polar Plot / Cone Of Light Multiplier | | |
| | | 14 [2 CC / CV] | 25 [4 CC / CV] | 36 [7 CC / CV] |
| | | - | - | 1.00 |



Beam Angle (0-180) = 13.9
Beam Angle (90-270) = 16.5

| CONE OF LIGHT - 7W 3000K SPOT SUP-SFST-FDL-36-7-CC-30-SP* | | |
|--|----------------------------|--------------------|
| Throw Distance [Ft] | Illuminance [fc at max cd] | Beam Diameter [Ft] |
| 20 | 10 | 4.9 |
| 18 | 12 | 4.4 |
| 16 | 15 | 3.9 |
| 14 | 20 | 3.4 |
| 12 | 27 | 2.9 |
| 10 | 39 | 2.4 |
| 8 | 61 | 1.9 |
| 6 | 109 | 1.5 |
| 4 | 244 | 1.0 |
| 2 | 977 | 0.5 |

| SUP-SFST-FDL-...-NFL-... | | | | |
|---------------------------------|----|---------------------------------------|----------------|----------------|
| Delivered Lumens - Narrow Flood | | | | |
| | | Diameter [Wattage] | | |
| | | 14 [2 CC / CV] | 25 [4 CC / CV] | 36 [7 CC / CV] |
| CCT | 27 | - | 171 | - |
| | 30 | - | 171 | - |
| | 40 | - | 185 | - |
| | | Polar Plot / Cone Of Light Multiplier | | |
| | | 14 [2 CC / CV] | 25 [4 CC / CV] | 36 [7 CC / CV] |
| | | - | 1.00 | - |



Beam Angle (0-180) = 15.8
Beam Angle (90-270) = 22.2

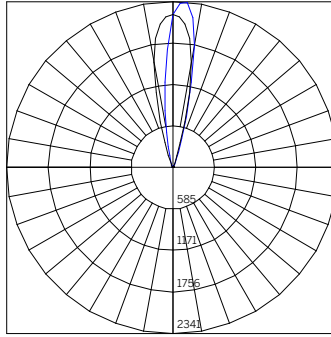
| CONE OF LIGHT - 4W 3000K NARROW FLOOD SUP-SFST-FDL-25-4-CC-30-NFL* | | |
|--|----------------------------|--------------------|
| Throw Distance [Ft] | Illuminance [fc at max cd] | Beam Diameter [Ft] |
| 20 | 3 | 5.6 |
| 18 | 3 | 5.0 |
| 16 | 4 | 4.4 |
| 14 | 6 | 3.9 |
| 12 | 8 | 3.3 |
| 10 | 11 | 2.8 |
| 8 | 18 | 2.2 |
| 6 | 31 | 1.7 |
| 4 | 71 | 1.1 |
| 2 | 283 | 0.6 |

*Polar Plot and Cone of Light are applicable to part number noted; use Multiplication Factor table to approximate other models or refer to online photometry.

FIXED OPTICS - DL DARK LIGHT

SUP-SFST-FDL-...-FL-... Delivered Lumens - Flood

| | | Diameter [Wattage] | | |
|---------------------------------------|----|--------------------|----------------|----------------|
| | | 14 [2 CC / CV] | 25 [4 CC / CV] | 36 [7 CC / CV] |
| CCT | 27 | - | 133 | 353 |
| | 30 | - | 133 | 353 |
| | 40 | - | 144 | 382 |
| Polar Plot / Cone Of Light Multiplier | | | | |
| | | 14 [2 CC / CV] | 25 [4 CC / CV] | 36 [7 CC / CV] |
| | | - | 0.38 | 1.00 |



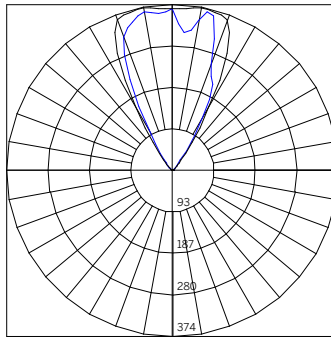
Beam Angle (0-180) = 10.5
Beam Angle (90-270) = 25.0

CONE OF LIGHT - 7W 3000K FLOOD SUP-SFST-FDL-36-7-CC-30-FL*

| Throw Distance [Ft] | Illuminance [fc at max cd] | Beam Diameter [Ft] |
|---------------------|----------------------------|--------------------|
| 20 | 6 | 3.7 |
| 18 | 7 | 3.3 |
| 16 | 9 | 2.9 |
| 14 | 12 | 2.6 |
| 12 | 16 | 2.2 |
| 10 | 23 | 1.8 |
| 8 | 37 | 1.5 |
| 6 | 65 | 1.1 |
| 4 | 146 | 0.7 |
| 2 | 585 | 0.4 |

SUP-SFST-FDL-...-WFL-... Delivered Lumens - Wide Flood

| | | Diameter [Wattage] | | |
|---------------------------------------|----|--------------------|----------------|----------------|
| | | 14 [2 CC / CV] | 25 [4 CC / CV] | 36 [7 CC / CV] |
| CCT | 27 | - | 110 | 294 |
| | 30 | - | 110 | 294 |
| | 40 | - | 119 | 318 |
| Polar Plot / Cone Of Light Multiplier | | | | |
| | | 14 [2 CC / CV] | 25 [4 CC / CV] | 36 [7 CC / CV] |
| | | - | 0.37 | 1.00 |



Beam Angle (0-180) = 54.7
Beam Angle (90-270) = 58.7

CONE OF LIGHT - 7W 3000K WIDE FLOOD SUP-SFST-FDL-36-7-CC-30-WFL*

| Throw Distance [Ft] | Illuminance [fc at max cd] | Beam Diameter [Ft] |
|---------------------|----------------------------|--------------------|
| 20 | 1 | 20.7 |
| 18 | 1 | 18.6 |
| 16 | 1 | 16.6 |
| 14 | 2 | 14.5 |
| 12 | 3 | 12.4 |
| 10 | 4 | 10.4 |
| 8 | 6 | 8.3 |
| 6 | 10 | 6.2 |
| 4 | 23 | 4.1 |
| 2 | 94 | 2.1 |

*Polar Plot and Cone of Light are applicable to part number noted; use Multiplication Factor table to approximate other models or refer to online photometry.