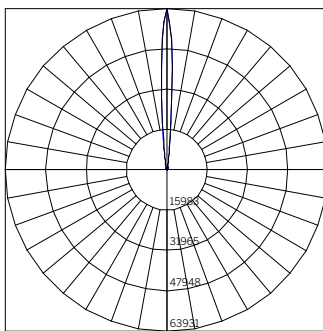


# SUELO Fixed Optics Vandal Resistant

## FIXED OPTICS VANDAL RESISTANT

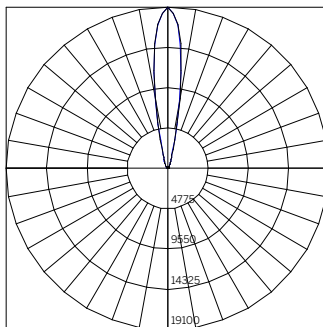
SUR-SFSTVR-F-...-NSP-...				
Delivered Lumens - Narrow Spot				
		Diameter [Wattage]		
		44 [8CC / 9CV]	67 [13 CC]	91 [34 IND]
CCT	27	615	1058	2133
	30	615	1058	2133
	40	665	1118	2251
Polar Plot / Cone Of Light Multiplier				
		44 [8CC / 9CV]	67 [13 CC]	91 [34 IND]
		0.29	0.50	1.00



Beam Angle (0-180) = 7.5  
Beam Angle (90-270) = 7.4

CONE OF LIGHT - 33.6W 3000K NARROW SPOT		
SUR-SFSTVR-F-91-34-IND-30-NSP*		
Throw Distance [Ft]	Illuminance [fc at max cd]	Beam Diameter [Ft]
20	160	2.6
18	197	2.4
16	250	2.1
14	326	1.8
12	444	1.6
10	639	1.3
8	999	1.0
6	1776	0.8
4	3996	0.5
2	15983	0.3

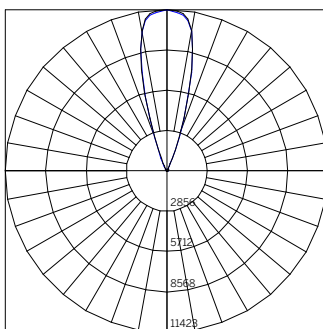
SUR-SFSTVR-F-...-SP-...				
Delivered Lumens - Spot				
		Diameter [Wattage]		
		44 [8CC / 9CV]	67 [13 CC]	91 [34 IND]
CCT	27	544	947	2826
	30	544	987	2945
	40	587	1043	3108
Polar Plot / Cone Of Light Multiplier				
		44 [8CC / 9CV]	67 [13 CC]	91 [34 IND]
		0.18	0.34	1.00



Beam Angle (0-180) = 18.3  
Beam Angle (90-270) = 18.6

CONE OF LIGHT - 33.6W 3000K SPOT		
SUR-SFSTVR-F-91-34-IND-30-SP*		
Throw Distance [Ft]	Illuminance [fc at max cd]	Beam Diameter [Ft]
20	48	6.4
18	59	5.8
16	75	5.1
14	97	4.5
12	133	3.9
10	191	3.2
8	298	2.6
6	531	1.9
4	1194	1.3
2	4775	0.6

SUR-SFSTVR-F-...-FL-...				
Delivered Lumens - Flood				
		Diameter [Wattage]		
		44 [8CC / 9CV]	67 [13 CC]	91 [34 IND]
CCT	27	573	1103	3169
	30	573	1149	3304
	40	618	1213	3486
Polar Plot / Cone Of Light Multiplier				
		44 [8CC / 9CV]	67 [13 CC]	91 [34 IND]
		0.17	0.35	1.00



Beam Angle (0-180) = 31.5  
Beam Angle (90-270) = 32.0

CONE OF LIGHT - 33.6W 3000K FLOOD		
SUR-SFSTVR-F-91-34-IND-30-FL*		
Throw Distance [Ft]	Illuminance [fc at max cd]	Beam Diameter [Ft]
20	29	11.3
18	35	10.2
16	45	9.0
14	58	7.9
12	79	6.8
10	114	5.6
8	178	4.5
6	317	3.4
4	714	2.3
2	2856	1.1

\*Polar Plot and Cone of Light are applicable to part number noted; use Multiplication Factor table to approximate other models or refer to online photometry.

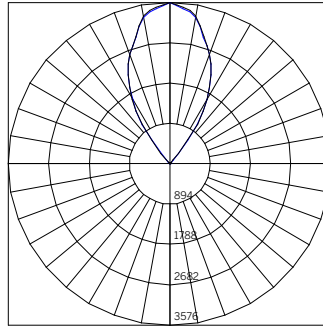
# SUELO Fixed Optics Vandal Resistant

## FIXED OPTICS VANDAL RESISTANT

### SUR-SFSTVR-F...-WFL...

Delivered Lumens - Wide Flood

		Diameter [Wattage]		
		44 [8CC / 9CV]	67 [13 CC]	91 [34 IND]
CCT	27	504	1064	1136
	30	504	1090	1185
	40	544	1150	1251
		Polar Plot / Cone Of Light Multiplier		
		44 [8CC / 9CV]	67 [13 CC]	91 [34 IND]
		0.43	0.92	1.00

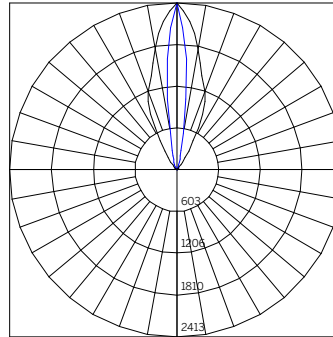


Beam Angle (0-180) = 57.3  
Beam Angle (90-270) = 57.5

### SUR-SFSTVR-F...-EL...

Delivered Lumens - Elliptic

		Diameter [Wattage]		
		44 [8CC / 9CV]	67 [13 CC]	91 [34 IND]
CCT	27	509	-	-
	30	509	-	-
	40	551	-	-
		Polar Plot / Cone Of Light Multiplier		
		44 [8CC / 9CV]	67 [13 CC]	91 [34 IND]
		1.00	-	-



Beam Angle (0-180) = 13.5  
Beam Angle (90-270) = 40.0

### CONE OF LIGHT - 33.6W 3000K WIDE FLOOD SUR-SFSTVR-F-91-34-IND-30-WFL\*

Throw Distance [Ft]	Illuminance [fc at max cd]	Beam Diameter [Ft]
20	9	21.9
18	11	19.7
16	14	17.5
14	18	15.3
12	25	13.1
10	36	10.9
8	56	8.7
6	99	6.6
4	224	4.4
2	894	2.2

### CONE OF LIGHT - 8W 3000K ELLIPTIC SUR-SFSTVR-F-44-8-CC-30-EL\*

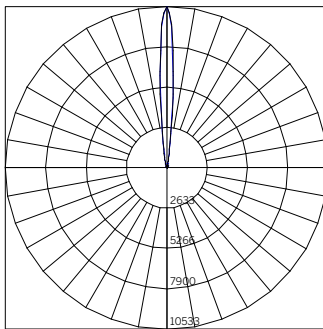
Throw Distance [Ft]	Illuminance [fc at max cd]	Beam Diameter [Ft]
20	6	4.7
18	7	4.3
16	9	3.8
14	12	3.3
12	17	2.8
10	24	2.4
8	38	1.9
6	67	1.4
4	151	0.9
2	603	0.5

\*Polar Plot and Cone of Light are applicable to part number noted; use Multiplication Factor table to approximate other models or refer to online photometry.

# SUELO Fixed Optics Vandal Resistant

## FIXED OPTICS VANDAL RESISTANT - HC HONEYCOMB LOUVER

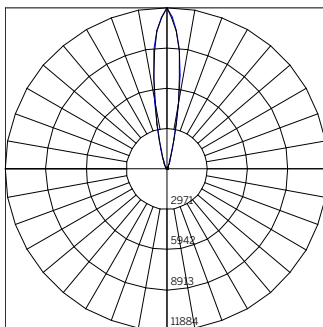
SUR-SFSTVR-FHC-...-NSP-... Delivered Lumens - Narrow Spot				
		Diameter [Wattage]		
		44 [8CC / 9CV]	67 [13 CC]	91 [34 IND]
CCT	27	471	-	-
	30	471	-	-
	40	509	-	-
Polar Plot / Cone Of Light Multiplier				
		44 [8CC / 9CV]	67 [13 CC]	91 [34 IND]
		1.00	-	-



Beam Angle (0-180) = 9.1  
Beam Angle (90-270) = 9.4

CONE OF LIGHT - 8W 3000K NARROW SPOT SUR-SFSTVR-FHC-44-8-CC-30-NSP*		
Throw Distance [Ft]	Illuminance [fc at max cd]	Beam Diameter [Ft]
20	26	3.2
18	33	2.9
16	41	2.5
14	54	2.2
12	73	1.9
10	105	1.6
8	165	1.3
6	293	1.0
4	658	0.6
2	2633	0.3

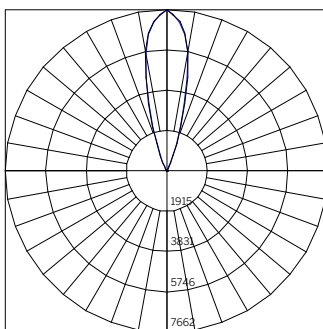
SUR-SFSTVR-FHC-...-SP-... Delivered Lumens - Spot				
		Diameter [Wattage]		
		44 [8CC / 9CV]	67 [13 CC]	91 [34 IND]
CCT	27	484	632	1540
	30	484	658	1604
	40	522	694	1692
Polar Plot / Cone Of Light Multiplier				
		44 [8CC / 9CV]	67 [13 CC]	91 [34 IND]
		0.30	0.41	1.00



Beam Angle (0-180) = 18.2  
Beam Angle (90-270) = 17.9

CONE OF LIGHT - 33.6 3000K SPOT SUR-SFSTVR-FHC-91-34-IND-30-SP*		
Throw Distance [Ft]	Illuminance [fc at max cd]	Beam Diameter [Ft]
20	30	6.4
18	37	5.8
16	46	5.1
14	61	4.5
12	83	3.8
10	119	3.2
8	186	2.6
6	330	1.9
4	743	1.3
2	2971	0.6

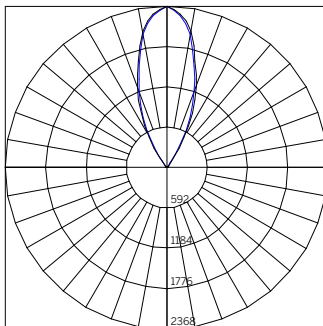
SUR-SFSTVR-FHC-...-FL-... Delivered Lumens - Flood				
		Diameter [Wattage]		
		44 [8CC / 9CV]	67 [13 CC]	91 [34 IND]
CCT	27	457	672	1755
	30	457	700	1828
	40	494	739	1930
Polar Plot / Cone Of Light Multiplier				
		44 [8CC / 9CV]	67 [13 CC]	91 [34 IND]
		0.25	0.38	1.00



Beam Angle (0-180) = 27.7  
Beam Angle (90-270) = 28.0

CONE OF LIGHT - 33.6W 3000K FLOOD SUR-SFSTVR-FHC-91-34-IND-30-FL*		
Throw Distance [Ft]	Illuminance [fc at max cd]	Beam Diameter [Ft]
20	19	9.9
18	24	8.9
16	30	7.9
14	39	6.9
12	53	5.9
10	77	4.9
8	120	3.9
6	213	3.0
4	479	2.0
2	1916	1.0

SUR-SFSTVR-FHC-...-WFL-... Delivered Lumens - Wide Flood				
		Diameter [Wattage]		
		44 [8CC / 9CV]	67 [13 CC]	91 [34 IND]
CCT	27	327	474	1136
	30	327	494	1185
	40	353	522	1251
Polar Plot / Cone Of Light Multiplier				
		44 [8CC / 9CV]	67 [13 CC]	91 [34 IND]
		0.28	0.42	1.00



Beam Angle (0-180) = 40.1  
Beam Angle (90-270) = 42.1

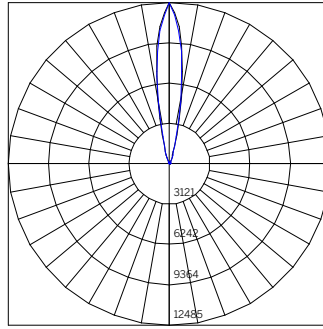
CONE OF LIGHT - 33.6W 3000K WIDE FLOOD SUR-SFSTVR-FHC-91-34-IND-30-WFL*		
Throw Distance [Ft]	Illuminance [fc at max cd]	Beam Diameter [Ft]
20	6	14.6
18	7	13.1
16	9	11.7
14	12	10.2
12	16	8.7
10	24	7.3
8	37	5.8
6	66	4.4
4	148	2.9
2	592	1.5

\*Polar Plot and Cone of Light are applicable to part number noted; use Multiplication Factor table to approximate other models or refer to online photometry.

# SUELO Fixed Optics Vandal Resistant

## FIXED OPTICS VANDAL RESISTANT - DL DARKLIGHT

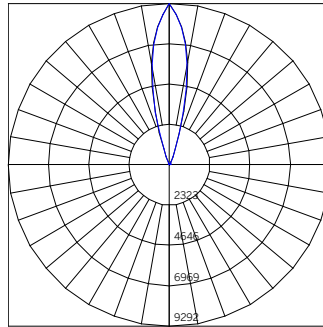
SUR-SFSTVR-FDL-...-SP-... Delivered Lumens - Spot				
		Diameter [Wattage]		
		44 [8CC / 9CV]	67 [13 CC]	91 [34 IND]
CCT	27	-	710	1500
	30	-	741	1562
	40	-	783	1649
Polar Plot / Cone Of Light Multiplier				
		44 [8CC / 9CV]	67 [13 CC]	91 [34 IND]
		-	0.47	1.00



Beam Angle (0-180) = 17.2  
Beam Angle (90-270) = 17.8

CONE OF LIGHT - 33.6W 3000K SPOT SUR-SFSTVR-FDL-91-34-CC-30-SP*		
Throw Distance [Ft]	Illuminance [fc at max cd]	Beam Diameter [Ft]
20	31	6.0
18	39	5.4
16	49	4.8
14	64	4.2
12	87	3.6
10	125	3.0
8	195	2.4
6	347	1.8
4	780	1.2
2	3121	0.6

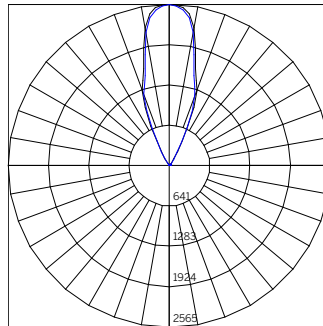
SUR-SFSTVR-FDL-...-FL-... Delivered Lumens - Flood				
		Diameter [Wattage]		
		44 [8CC / 9CV]	67 [13 CC]	91 [34 IND]
CCT	27	-	678	1706
	30	-	705	1776
	40	-	746	1876
Polar Plot / Cone Of Light Multiplier				
		44 [8CC / 9CV]	67 [13 CC]	91 [34 IND]
		-	0.40	1.00



Beam Angle (0-180) = 24.4  
Beam Angle (90-270) = 24.8

CONE OF LIGHT - 33.6W 3000K FLOOD SUR-SFSTVR-FDL-91-34-IND-30-FL*		
Throw Distance [Ft]	Illuminance [fc at max cd]	Beam Diameter [Ft]
20	23	8.6
18	29	7.8
16	36	6.9
14	47	6.1
12	65	5.2
10	93	4.3
8	145	3.5
6	258	2.6
4	581	1.7
2	2323	0.9

SUR-SFSTVR-FDL-...-WFL-... Delivered Lumens - Wide Flood				
		Diameter [Wattage]		
		44 [8CC / 9CV]	67 [13 CC]	91 [34 IND]
CCT	27	-	547	1017
	30	-	571	1060
	40	-	603	1119
Polar Plot / Cone Of Light Multiplier				
		44 [8CC / 9CV]	67 [13 CC]	91 [34 IND]
		-	0.54	1.00



Beam Angle (0-180) = 36.4  
Beam Angle (90-270) = 39.4

CONE OF LIGHT - 33.6W 3000K WIDE FLOOD SUR-SFSTVR-FDL-91-34-IND-30-WFL*		
Throw Distance [Ft]	Illuminance [fc at max cd]	Beam Diameter [Ft]
20	6	13.2
18	8	11.8
16	10	10.5
14	13	9.2
12	18	7.9
10	26	6.6
8	40	5.3
6	71	3.9
4	160	2.6
2	641	1.3

\*Polar Plot and Cone of Light are applicable to part number noted; use Multiplication Factor table to approximate other models or refer to online photometry.