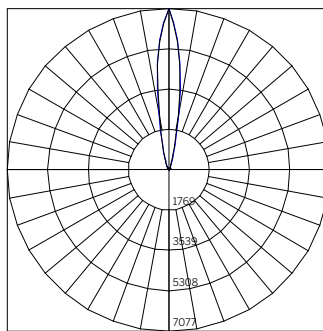


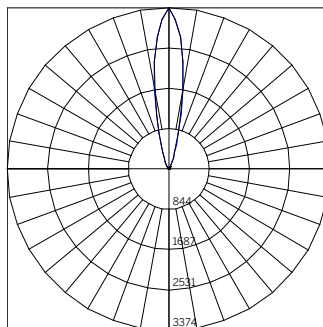
SUR-SFSTVR-A-...-SP-... Delivered Lumens - Spot			
		Diameter [Wattage]	
		44 [8CC / 9CV]	67 [13 CC]
CCT	27	-	883
	30	-	921
	40	-	972
Polar Plot / Cone Of Light Multiplier			
		44 [8CC / 9CV]	67 [13 CC]
		-	1.00



Beam Angle (0-180) = 15.7
Beam Angle (90-270) = 16.3

CONE OF LIGHT - 13W 3000K SPOT SUR-SFSTVR-A-67-13-CC-30-SP*		
Throw Distance [Ft]	Illuminance [fc at max cd]	Beam Diameter [Ft]
20	18	5.5
18	22	5.0
16	28	4.4
14	36	3.9
12	49	3.3
10	71	2.8
8	111	2.2
6	197	1.7
4	442	1.1
2	1769	0.6

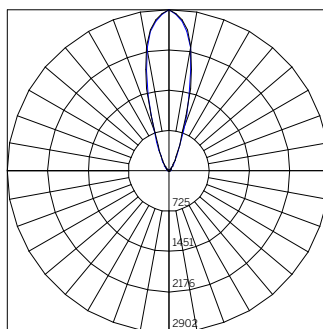
SUR-SFSTVR-A-...-NFL-... Delivered Lumens - Narrow Flood			
		Diameter [Wattage]	
		44 [8CC / 9CV]	67 [13 CC]
CCT	27	629	-
	30	629	-
	40	679	-
Polar Plot / Cone Of Light Multiplier			
		44 [8CC / 9CV]	67 [13 CC]
		1.00	-



Beam Angle (0-180) = 20.0
Beam Angle (90-270) = 20.1

CONE OF LIGHT - 8W 3000K NARROW FLOOD SUR-SFSTVR-A-44-8-CC-30-NFL*		
Throw Distance [Ft]	Illuminance [fc at max cd]	Beam Diameter [Ft]
20	8	7.0
18	10	6.3
16	13	5.6
14	17	4.9
12	23	4.2
10	34	3.5
8	53	2.8
6	94	2.1
4	211	1.4
2	844	0.7

SUR-SFSTVR-A-...-FL-... Delivered Lumens - Flood			
		Diameter [Wattage]	
		44 [8CC / 9CV]	67 [13 CC]
CCT	27	560	983
	30	560	1024
	40	605	1082
Polar Plot / Cone Of Light Multiplier			
		44 [8CC / 9CV]	67 [13 CC]
		0.55	1.00

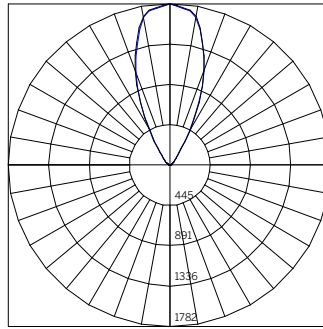


Beam Angle (0-180) = 29.7
Beam Angle (90-270) = 30.8

CONE OF LIGHT - 13W 3000K FLOOD SUR-SFSTVR-A-67-13-CC-30-FL*		
Throw Distance [Ft]	Illuminance [fc at max cd]	Beam Diameter [Ft]
20	7	10.6
18	9	9.5
16	11	8.5
14	15	7.4
12	20	6.4
10	29	5.3
8	45	4.2
6	81	3.2
4	181	2.1
2	726	1.1

*Polar Plot and Cone of Light are applicable to part number noted; use Multiplication Factor table to approximate other models or refer to online photometry.

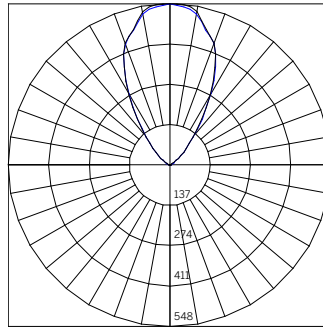
SUR-SFSTVR-A-...-MWFL-...		
Delivered Lumens - Medium Wide Flood		
Diameter [Wattage]		
	44 [8CC / 9CV]	67 [13 CC]
CCT	27	1137
	30	1024
	40	1251
Polar Plot / Cone Of Light Multiplier		
	44 [8CC / 9CV]	67 [13 CC]
	-	1.00



Beam Angle (0-180) = 46.3
Beam Angle (90-270) = 46.7

CONE OF LIGHT - 13W 3000K MEDIUM WIDE FLOOD		
SUR-SFSTVR-A-67-13-CC-30-MWFL*		
Throw Distance [Ft]	Illuminance [fc at max cd]	Beam Diameter [Ft]
20	4	17.1
18	6	15.4
16	7	13.7
14	9	12.0
12	12	10.3
10	18	8.6
8	28	6.8
6	50	5.1
4	111	3.4
2	446	1.7

SUR-SFSTVR-A-...-WFL-...		
Delivered Lumens - Wide Flood		
Diameter [Wattage]		
	44 [8CC / 9CV]	67 [13 CC]
CCT	27	572
	30	572
	40	618
Polar Plot / Cone Of Light Multiplier		
	44 [8CC / 9CV]	67 [13 CC]
	1.00	-



Beam Angle (0-180) = 60.6
Beam Angle (90-270) = 60.2

CONE OF LIGHT - 8W 3000K WIDE FLOOD		
SUR-SFSTVR-F-44-8-CC-30-WFL*		
Throw Distance [Ft]	Illuminance [fc at max cd]	Beam Diameter [Ft]
20	1	23.4
18	2	21.0
16	2	18.7
14	3	16.4
12	4	14.0
10	5	11.7
8	9	9.3
6	15	7.0
4	34	4.7
2	137	2.3

*Polar Plot and Cone of Light are applicable to part number noted; use Multiplication Factor table to approximate other models or refer to online photometry.