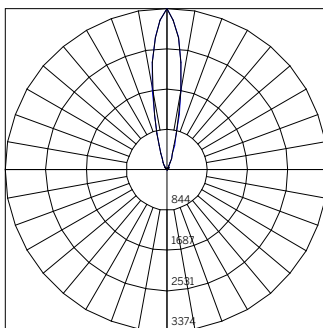


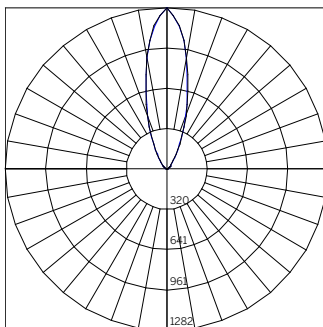
<b>SUR-SFST-A-...-NFL-...</b> Delivered Lumens - Narrow Flood				
		<b>Diameter [Wattage]</b>		
		12 [2 CC]	25 [4 CC / CV]	36 [7 CC / CV]
CCT	27	-	405	629
	30	-	405	629
	40	-	438	679
<b>Polar Plot / Cone Of Light Multiplier</b>				
		12 [2 CC]	25 [4 CC / CV]	36 [7 CC / CV]
		-	0.64	1.00



Beam Angle (0-180) = 20.1  
Beam Angle (90-270) = 20.0

<b>CONE OF LIGHT - 7W 3000K NARROW FLOOD</b> <b>SUR-SFST-A-36-7-CC-30-NFL*</b>		
Throw Distance [Ft]	Illuminance [fc at max cd]	Beam Diameter [Ft]
20	8	7.1
18	10	6.4
16	13	5.7
14	17	5.0
12	23	4.3
10	34	3.5
8	53	2.8
6	94	2.1
4	211	1.4
2	844	0.7

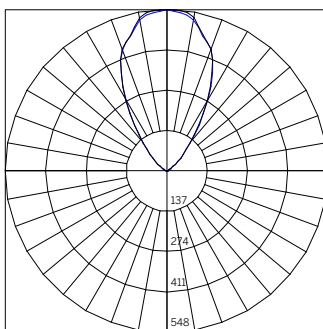
<b>SUR-SFST-A-...-FL-...</b> Delivered Lumens - Flood				
		<b>Diameter [Wattage]</b>		
		12 [2 CC]	25 [4 CC / CV]	36 [7 CC / CV]
CCT	27	-	361	560
	30	-	361	560
	40	-	390	605
<b>Polar Plot / Cone Of Light Multiplier</b>				
		12 [2 CC]	25 [4 CC / CV]	36 [7 CC / CV]
		-	0.64	1.00



Beam Angle (0-180) = 29.8  
Beam Angle (90-270) = 30.1

<b>CONE OF LIGHT - 7W 3000K FLOOD</b> <b>SUR-SFST-A-36-7-CC-30-FL*</b>		
Throw Distance [Ft]	Illuminance [fc at max cd]	Beam Diameter [Ft]
20	3	10.7
18	4	9.6
16	5	8.5
14	7	7.5
12	9	6.4
10	13	5.3
8	20	4.3
6	36	3.2
4	80	2.1
2	321	1.1

<b>SUR-SFST-A-...-WFL-...</b> Delivered Lumens - Wide Flood				
		<b>Diameter [Wattage]</b>		
		12 [2 CC]	25 [4 CC / CV]	36 [7 CC / CV]
CCT	27	-	369	572
	30	-	369	572
	40	-	399	618
<b>Polar Plot / Cone Of Light Multiplier</b>				
		12 [2 CC]	25 [4 CC / CV]	36 [7 CC / CV]
		-	0.65	1.00



Beam Angle (0-180) = 60.6  
Beam Angle (90-270) = 60.2

<b>CONE OF LIGHT - 4W 3000K WIDE FLOOD</b> <b>SUR-SFST-A-36-7-CC-30-WFL*</b>		
Throw Distance [Ft]	Illuminance [fc at max cd]	Beam Diameter [Ft]
20	1	23.4
18	2	21.0
16	2	18.7
14	3	16.4
12	4	14.0
10	5	11.7
8	9	9.3
6	15	7.0
4	34	4.7
2	137	2.3

\*Polar Plot and Cone of Light are applicable to part number noted; use Multiplication Factor table to approximate other models or refer to online photometry.