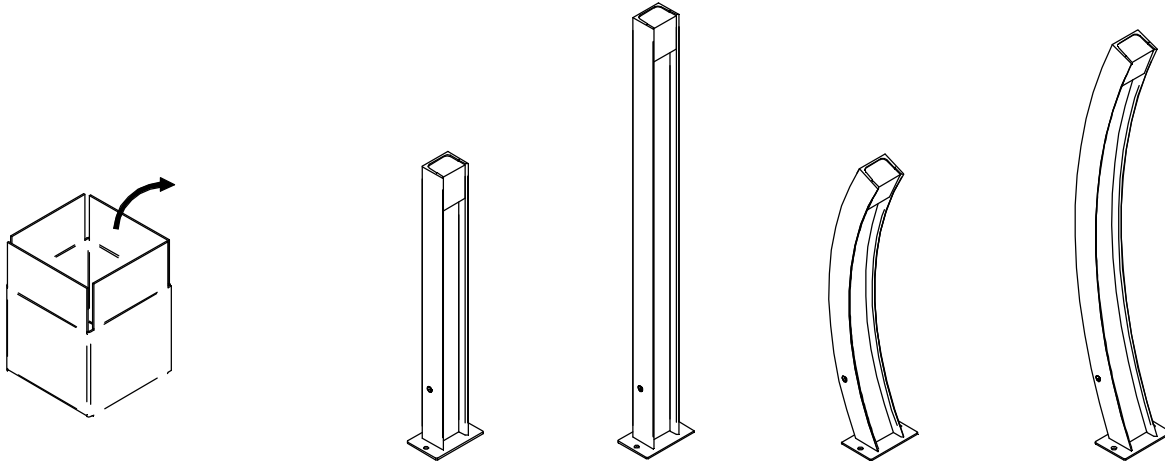


**APACHE****WARNING:**

INSTALL PRODUCT IN ACCORDANCE WITH LOCAL AND NATIONAL ELECTRICAL CODES BY A QUALIFIED ELECTRICIAN

**WARNING:**

FAILURE TO COMPLY WITH THE INSTALLATION INSTRUCTIONS MAY RESULT IN DEATH OR SEVERE INJURY.

**WARNING:**

READ ALL SAFETY INSTRUCTIONS INCLUDED WITH LUMINAIRE BEFORE INSTALLING LUMINAIRE. SAVE INSTRUCTIONS FOR FUTURE USE.

**CAUTION:**

THIS IS AN ELECTRONIC DEVICE. CARE MUST BE TAKEN DURING STORAGE AND HANDLING. STORE IN A CLEAN, COOL AND DRY LOCATION. ELECTROSTATIC DISCHARGE (ESD) CAN HARM THIS PRODUCT. AVOID STATIC DISCHARGE WHILE HANDLING THIS PRODUCT.

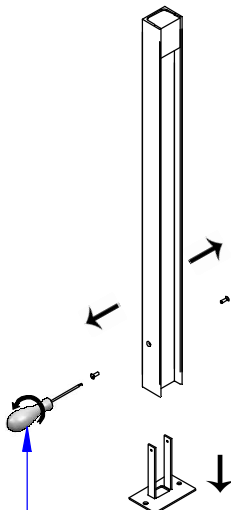
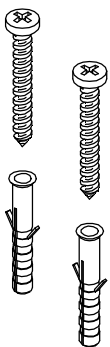
**CAUTION:**

INTER-LUX IS NOT RESPONSIBLE FOR THE STRUCTURAL INTEGRITY OF THE BUILDING TO SUPPORT THE LUMINAIRE. ADDITIONAL BACKING MAY BE REQUIRED.

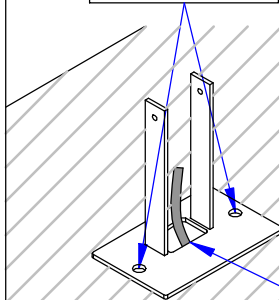
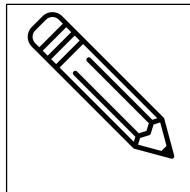
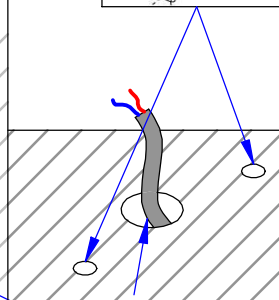
LOCATE AND REVIEW ANY CONSTRUCTION PLANS AND INTER-LUX RECORD DRAWINGS FOR ALL FIXTURE RUNS. IT IS RECOMMENDED TO LOCARE AND LAY OUT ALL COMPONENTS FOR EACH FIXTURE "RUN". A FIXTURE RUN TYPICALLY CONSISTS OF JOINERS, LENGHTS OF HOUSING, AND ENDCAPS. BE SURE TO IDENTIFY ALL CORRECT LENGHTS FOR EACH FIXTURE RUN.

**INSTALLATION INSTRUCTIONS****Installation option (A): screws/anchors****A.1** Remove the bracket

Screws and anchors not included



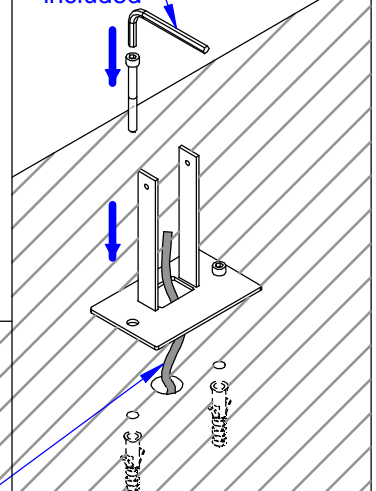
5/32" hex key not included

**A.2** Use the bracket as a template to draw the holes position on the floor**A.3** Drill the holes and insert the anchors

LOW VOLTAGE FEED CABLE

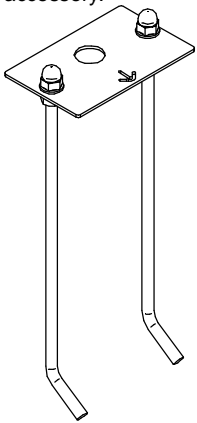
**A.4** Mount the bracket on the floor

Tool not included

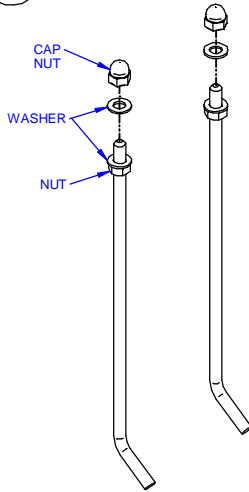


Installation option (B): anchor bolts

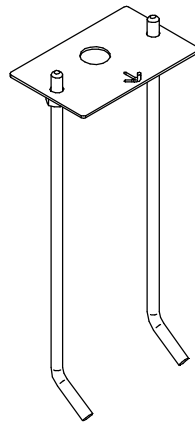
E64210 :  
Anchor bolt  
accessory.



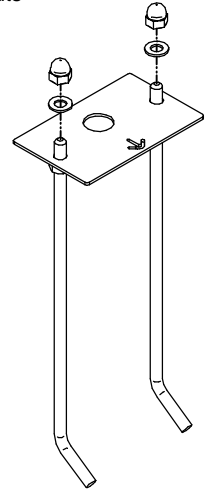
**B.1** Remove the cap nut and one of the two washers on each rod.



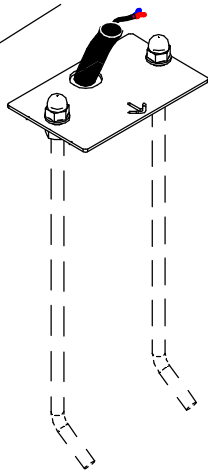
**B.2** Insert the rods on the template.



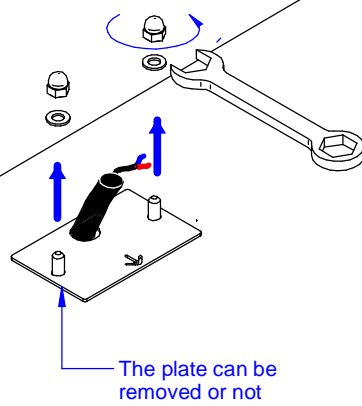
**B.3** Lock with the washers and cap nuts



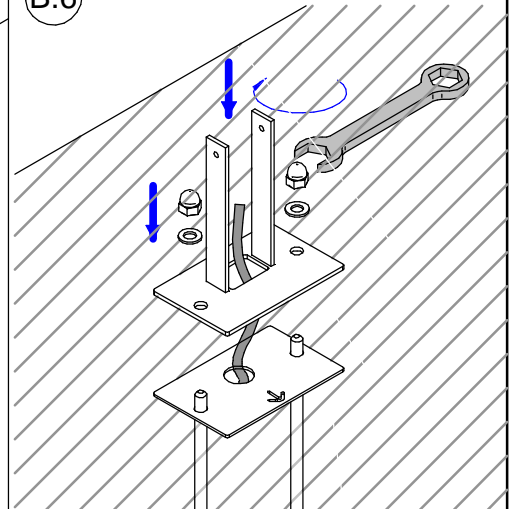
**B.4** Place the anchor bolt accessory and pour the concrete. The arrow points toward the front side of the bollard



**B.5** Remove the cap nuts and the washers

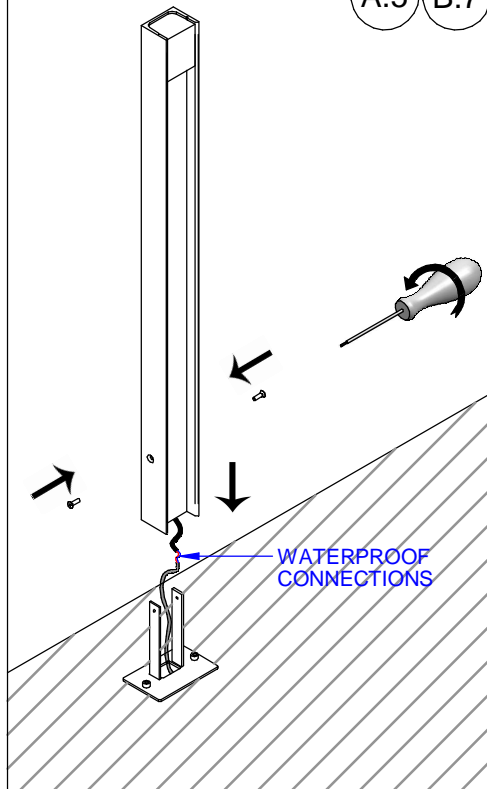


**B.6** Mount the bracket on the floor



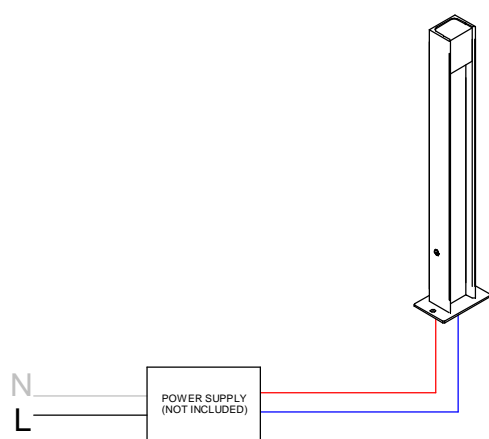
Make the wirings and mount the bollard on the bracket

**A.5** **B.7**



## WIRING DIAGRAM

### SINGLE FIXTURE



NOTE  
ON MULTI-OUTPUT DRIVERS:  
MAXIMUM ONE FIXTURE PER DRIVER OUTPUT, HOME RUN

THIS PRODUCT MUST BE INSTALLED IN ACCORDANCE WITH THE APPLICABLE INSTALLATION CODE BY A PERSON FAMILIAR WITH THE CONSTRUCTION AND OPERATION OF THE PRODUCT AND THE HAZARDS INVOLVED

### MOUNTING INSTRUCTIONS

READ ALL OF THESE INSTRUCTIONS BEFORE INSTALLING FIXTURES

- CAUTION: USE ONLY WITH CLASS 2 POWER UNIT
- Keep all of the instructions for future reference
- Turn off power before installing fixture
- Installation is to be performed by a qualified electrician only
- All installations must conform to the National Electrical Code as well as all local jurisdictional codes and regulations
- Any modification of the luminaire will void any and all written or implied warranties
- The manufacture accepts no responsibility for damage to persons or property arising through improper use or installation

### INSTALLATION SEQUENCE

- Mount remote driver in accessible well ventilated space
- Ensure power is off before connecting driver to line voltage
- Follow the previously illustrated steps
- WARNING: Be sure secondary wiring is connected to driver BEFORE energizing to avoid LED failure
- Energize

<b>Secondary Cable Colours</b>	<b>Pole</b>
Red wire	+
Blue wire	-