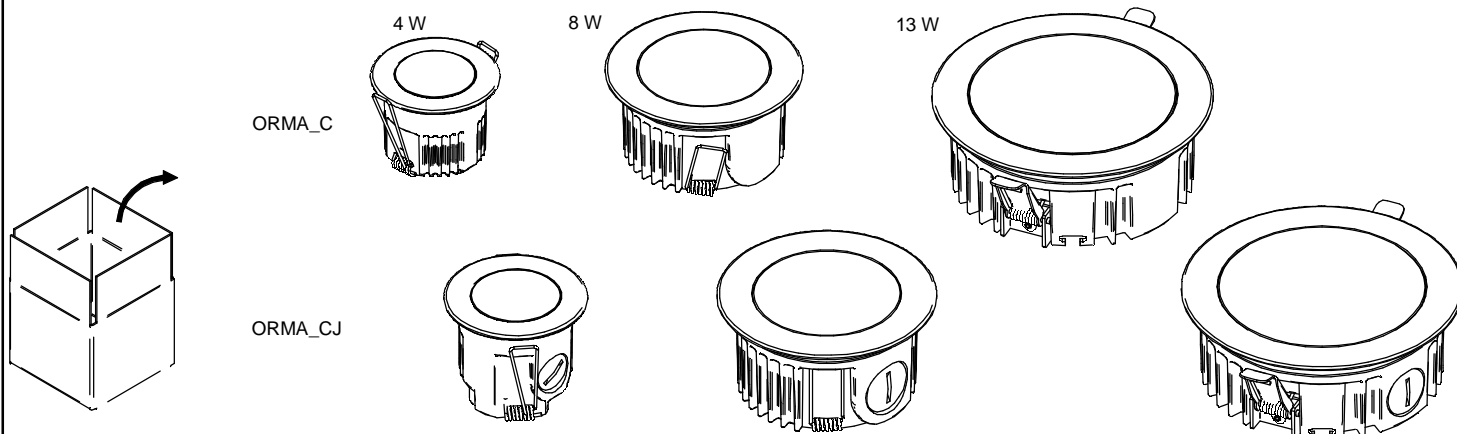




ORMA_C



WARNING
 INSTALL PRODUCT IN ACCORDANCE WITH LOCAL AND NATIONAL ELECTRICAL CODES BY A QUALIFIED ELECTRICIAN



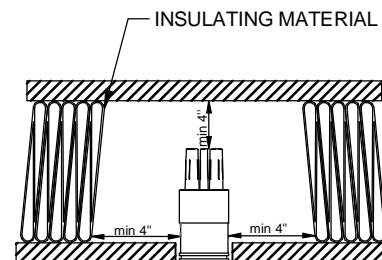
WARNING
 FAILURE TO COMPLY WITH THE INSTALLATION INSTRUCTIONS MAY RESULT IN DEATH OR SERIOUS INJURY.



WARNING
 READ ALL SAFETY INSTRUCTIONS INCLUDED WITH LUMINAIRE BEFORE INSTALLING LUMINAIRE. SAVE INSTRUCTIONS FOR FUTURE USE.

CAUTION
 THIS IS AN ELECTRIC DEVICE. CARE MUST BE TAKEN DURING STORAGE AND HANDLING. STORE IN A CLEAN, COOL AND DRY LOCATION. ELECTROSTATIC DISCHARGE (ESD) CAN HARM THIS PRODUCT. AVOID STATIC DISCHARGE WHILE HANDLING THIS PRODUCT.

CAUTION
 INTER-LUX IS NOT RESPONSIBLE FOR THE STRUCTURAL INTEGRITY OF THE BUILDING TO SUPPORT THE LUMINAIRE. ADDITIONAL BACKING MAY BE REQUIRED.

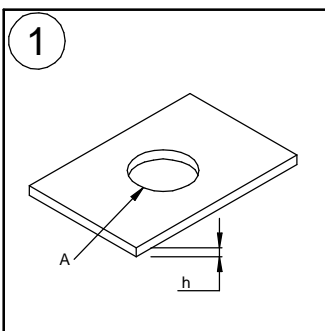


Recommended minimum distance from ceiling / insulating material

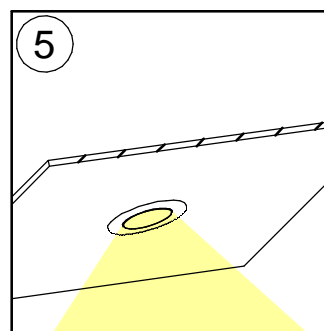
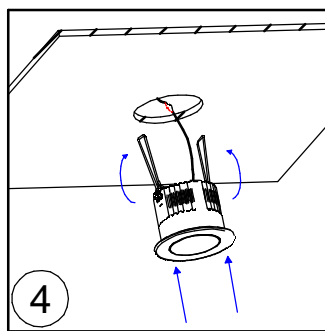
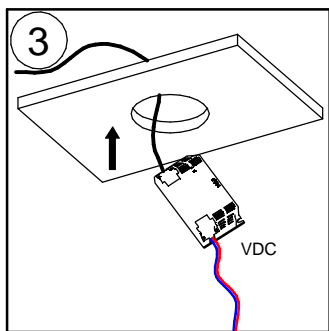
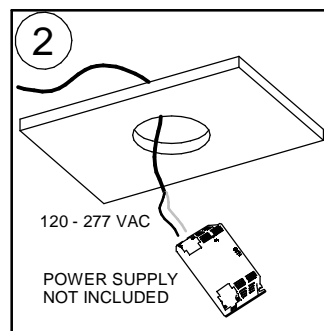
Do not cover the product with insulating material.

LOCATE AND REVIEW ANY CONSTRUCTION PLANS AND INTER-LUX RECORD DRAWINGS FOR ALL FIXTURE RUNS. IT IS RECOMMENDED TO LOCATE AND LAY OUT ALL COMPONENTS FOR EACH FIXTURE "RUN". A FIXTURE RUN TYPICALLY CONSISTS OF JOINTERS, LENGTHS OF HOUSING, AND ENDS. BE SURE TO IDENTIFY ALL CORRECT LENGTHS FOR EACH FIXTURE RUN.

ORMA_C INSTALLATION INSTRUCTIONS

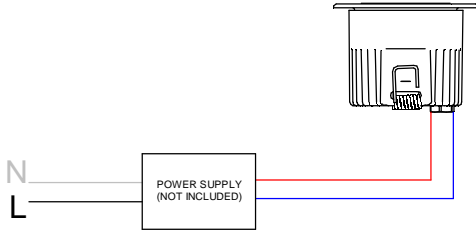


Art.	A	h
ORMA_C 4 W	ø 2,16"	0,197" - 0,787"
ORMA_CJ 4 W	ø 2,16"	0,197" - 0,787"
ORMA_C 8 W	ø 3,4"	0,197" - 0,787"
ORMA_CJ 8 W	ø 3,4"	0,197" - 0,787"
ORMA_C 13 W	ø 5"	0,197" - 0,787"
ORMA_CJ 13 W	ø 5"	0,197" - 0,787"

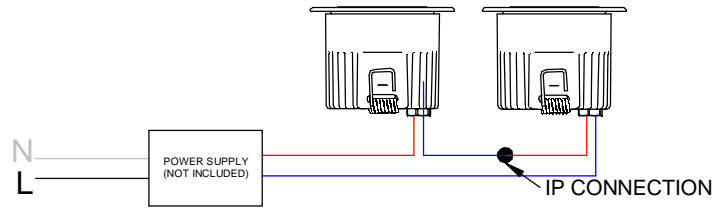


WIRING DIAGRAM

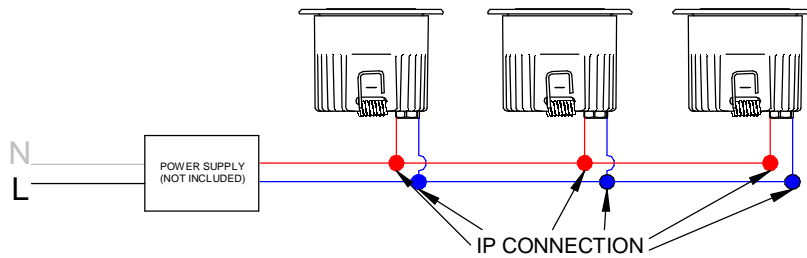
SINGLE ORMA CONNECTION



MULTIPLE SERIAL CONNECTION FOR ORMA C.C.



MULTIPLE PARALLEL CONNECTION FOR ORMA C.V. 24V



THIS PRODUCT MUST BE INSTALLED IN ACCORDANCE WITH THE APPLICABLE INSTALLATION CODE BY A PERSON FAMILIAR WITH THE CONSTRUCTION AND OPERATION OF THE PRODUCT AND THE HAZARDS INVOLVED

MOUNTING INSTRUCTIONS

READ ALL OF THESE INSTRUCTIONS BEFORE INSTALLING FIXTURES

- CAUTION: USE ONLY WITH CLASS 2 POWER UNIT
- Keep all of the instructions for future reference
- Turn off power before installing fixture
- Installation is to be performed by a qualified electrician only
- All installations must conform to the National Electrical Code as well as all local jurisdictional codes and regulations
- Any modification of the luminaire will void any and all written or implied warranties
- The manufacture accepts no responsibility for damage to persons or property arising through improper use or installation

ORMA C INSTALLATION SEQUENCE

- Cut correct size opening in ceiling [1]
- Mount remote driver in accessible well ventilated space [2-3]
- Ensure power is off before connecting driver to line voltage [2-3]
- Connect secondary wiring to fixture wiring [2-3]
- Press the springs and insert the article into the ceiling opening [4]
- WARNING: Be sure secondary wiring is connected to driver BEFORE energizing to avoid LED failure
- Energize

Secondary Cable Colours	Pole
Red wire	+
Blue wire	-