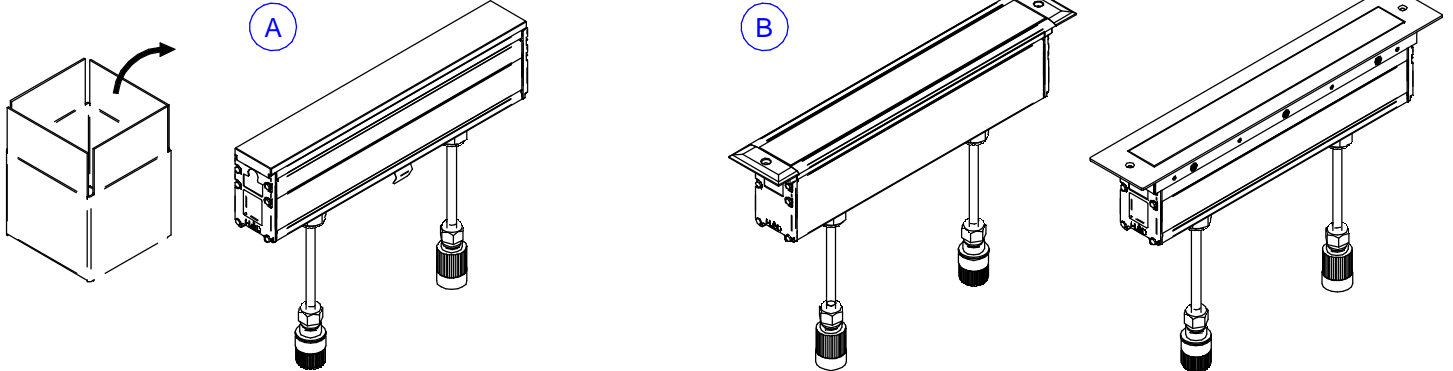


ARCHILINE_F / ARCHILINE_FL
ARCHILINE_A / ARCHILINE_I

ARCHILINE_F / ARCHILINE_FL

ARCHILINE_A

ARCHILINE_I

**WARNING:**

INSTALL PRODUCT IN ACCORDANCE WITH LOCAL AND NATIONAL ELECTRICAL CODES BY A QUALIFIED ELECTRICIAN

**WARNING:**

FAILURE TO COMPLY WITH THE INSTALLATION INSTRUCTIONS MAY RESULT IN DEATH OR SEVERE INJURY.

**WARNING:**

READ ALL SAFETY INSTRUCTIONS INCLUDED WITH LUMINAIRE BEFORE INSTALLING LUMINAIRE. SAVE INSTRUCTIONS FOR FUTURE USE.

OUTER CASINGS**ARCHILINE_F / ARCHILINE_FL**

Code	E98724	E98725	E98726
L=Length (in)	12" 43/64	20" 13/64	39" 31/64

ARCHILINE_A / ARCHILINE_I

Code	E98671	E98672	E98673	E99760
L=Length (in)	14" 1/64	21" 1/2	40" 25/32	60" 5/64

Outer casing E99760 is suitable only for Archiline_A E81590 and E83539

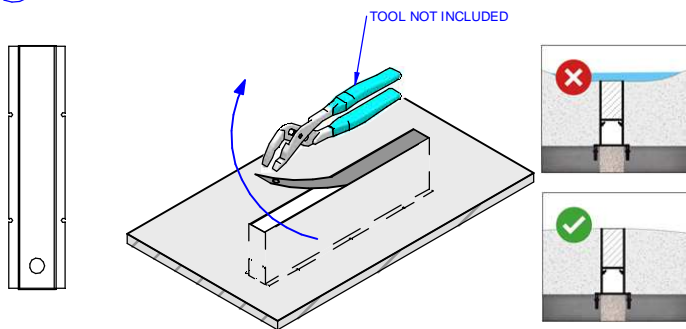
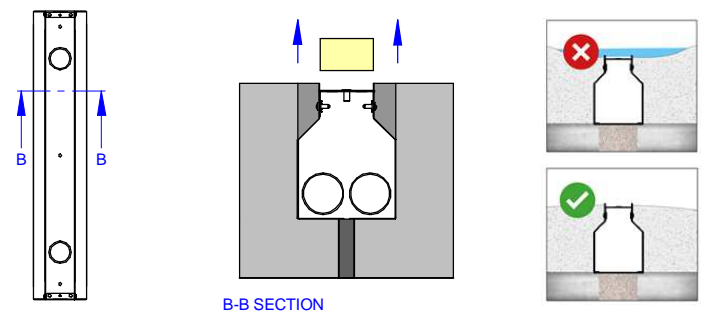
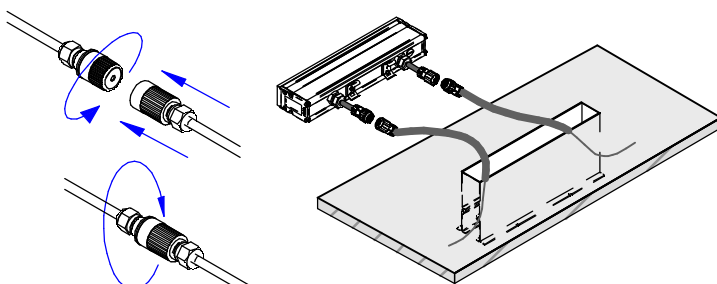
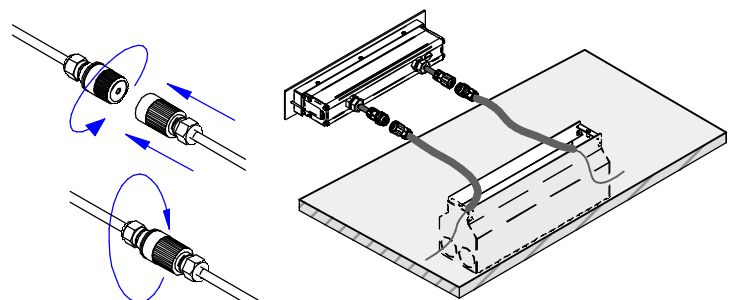
CAUTION:

THIS IS AN ELECTRONIC DEVICE. CARE MUST BE TAKEN DURING STORAGE AND HANDLING. STORE IN A CLEAN, COOL AND DRY LOCATION. ELECTROSTATIC DISCHARGE (ESD) CAN HARM THIS PRODUCT. AVOID STATIC DISCHARGE WHILE HANDLING THIS PRODUCT.

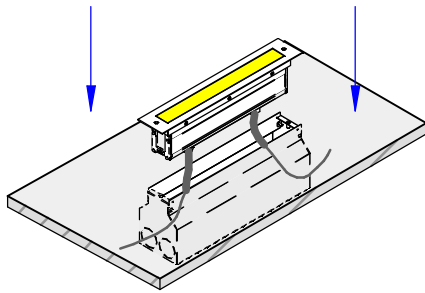
CAUTION:

INTER-LUX IS NOT RESPONSIBLE FOR THE STRUCTURAL INTEGRITY OF THE BUILDING TO SUPPORT THE LUMINAIRE. ADDITIONAL BACKING MAY BE REQUIRED.

LOCATE AND REVIEW ANY CONSTRUCTION PLANS AND INTER-LUX RECORD DRAWINGS FOR ALL FIXTURE RUNS. IT IS RECOMMENDED TO LOCARE AND LAY OUT ALL COMPONENTS FOR EACH FIXTURE "RUN". A FIXTURE RUN TYPICALLY CONSISTS OF JOINERS, LENGTHS OF HOUSING, AND ENDCAPS. BE SURE TO IDENTIFY ALL CORRECT LENGTHS FOR EACH FIXTURE RUN.

INSTALLATION INSTRUCTIONS**1** Install the outer casing following the installation instructions**2.A** TAB REMOVAL**2.B** POLYSTYRENE REMOVAL**3.A** REMOVE THE CAPS AND CONNECT THE CABLES**3.B** REMOVE THE CAPS AND CONNECT THE CABLES

4.A INSERT THE ARCHILINE INTO THE CASING



4.B REMOVE THE CAPS AND CONNECT THE CABLES

Archiline accessory | Extraction key



suitable for

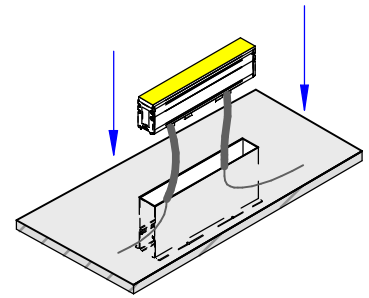
Archiline_F, Archiline_FL

code

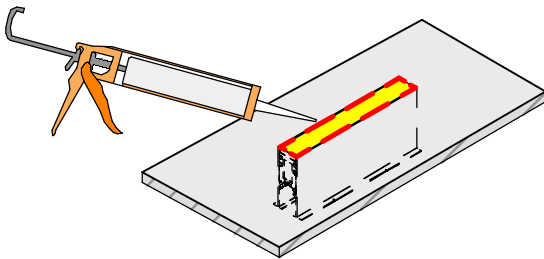
E98957

Archiline extraction key

Tool not included. Order separately.
Tool needed only to extract the Archiline from the casing.



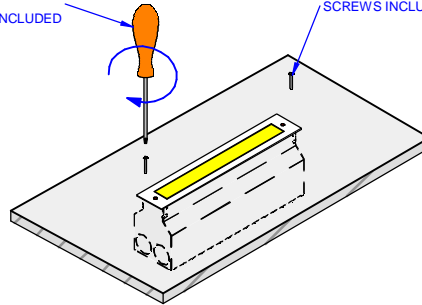
5.A FILL WITH SILICONE SEALANT (OPTIONAL)



8 h

5.B SECURE THE FIXTURE WITH THE SCREWS

HEX KEY
TOOL NOT INCLUDED



SCREWS INCLUDED

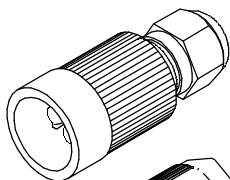
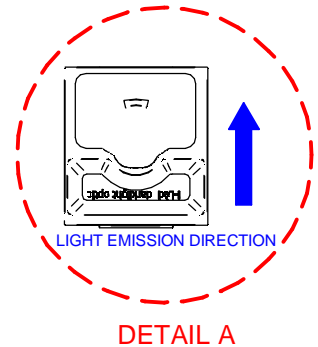
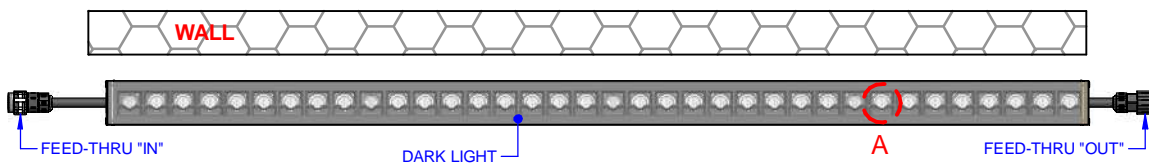
ARCHILINE_A

7/64"

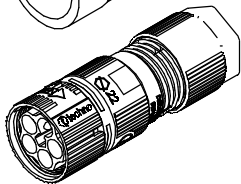
ARCHILINE_I

3/32"

ARCHILINE POSITION FOR DARK LIGHT EFFECT

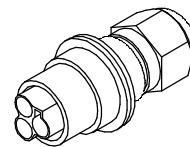


ON/OFF

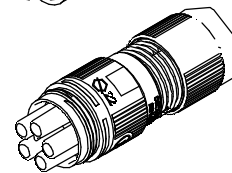


0-10V

ON/OFF



0-10V



THIS PRODUCT MUST BE INSTALLED IN ACCORDANCE WITH THE APPLICABLE INSTALLATION CODE BY A PERSON FAMILIAR WITH THE CONSTRUCTION AND OPERATION OF THE PRODUCT AND THE HAZARDS INVOLVED

MOUNTING INSTRUCTIONS

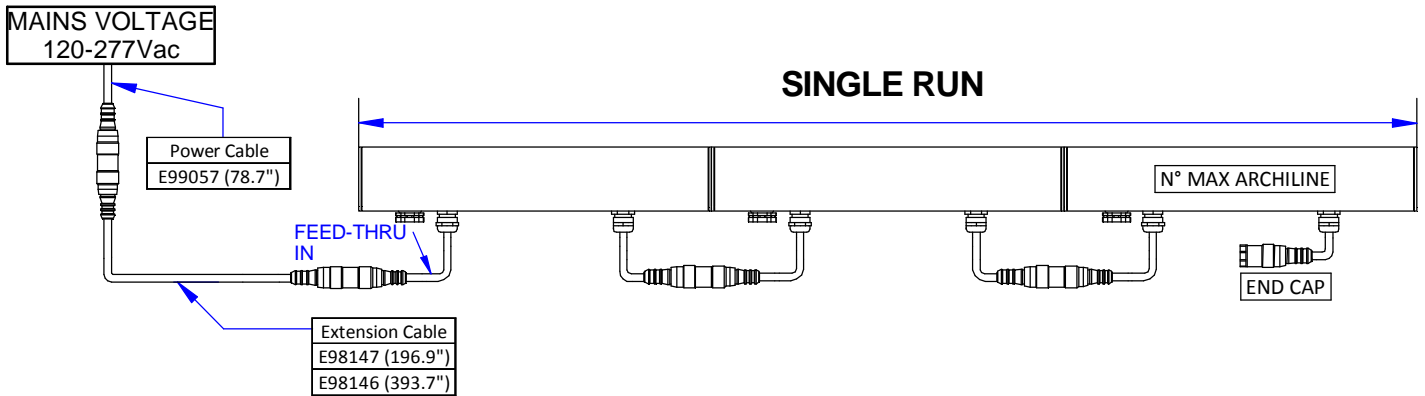
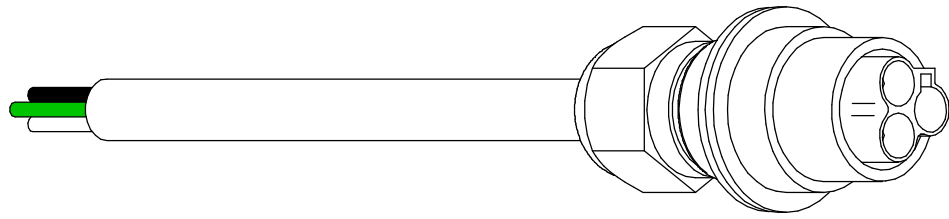
READ ALL OF THESE INSTRUCTIONS BEFORE INSTALLING FIXTURES

- CAUTION: USE ONLY WITH CLASS 2 POWER UNIT
- Keep all of the instructions for future reference
- Turn off power before installing fixture
- Installation is to be performed by a qualified electrician only
- All installations must conform to the National Electrical Code as well as all local jurisdictional codes and regulations
- Any modification of the luminaire will void any and all written or implied warranties
- The manufacture accepts no responsibility for damage to persons or property arising through improper use or installation

ON/OFF VERSION WIRING DIAGRAM

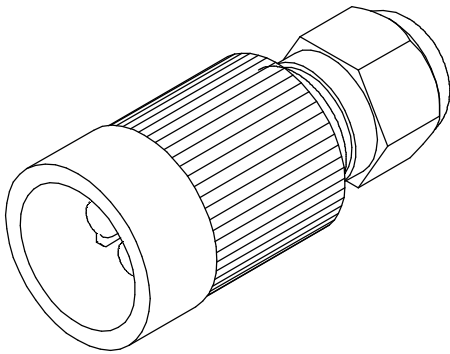
POWER CABLE E99057

BLACK = L
 WHITE = N
 GREEN = EARTH

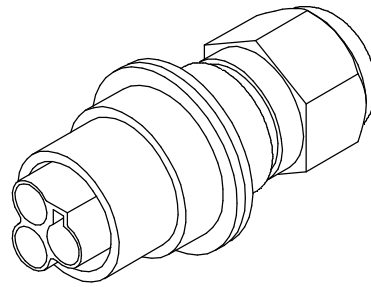


FEED-THRU CONNECTORS

"IN" SIDE



"OUT" SIDE

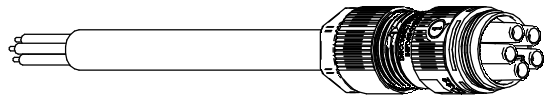
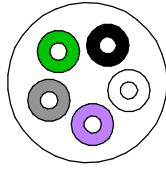


MODEL	ARCHILINE F			ARCHILINE FL			Archiline A				Archiline I		
	E92127 E92049	E92128 E92050	E92129 E92051	E92138	E92139	E92142	E92132 E92052	E92134 E92054	E92136 E92056	E81590	E92124 E92046	E92125 E92047	E92126 E92048
LENGTH (in)	12.6	19.7	39.4	12.6	19.7	39.4	14.6	22.1	41.4	60.7	14.8	22.2	41.5
MAX N° ARCHILINE CONNECTABLE ON A SINGLE RUN @ 120Vac	38	25	13	38	25	13	33	23	12	8	33	23	12
MAX N° ARCHILINE CONNECTABLE ON A SINGLE RUN @ 277Vac	75	50	25	75	50	25	65	45	23	15	65	45	23
SINGLE RUN MAX LENGHT	82ft @277Vac, 41ft @120Vac												
	NOTE: SINGLE RUN MAX LENGTH DO NOT INCLUDE EXTENSION CABLES BETWEEN FIXTURES												

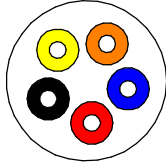
0-10V VERSION WIRING DIAGRAM

POWER CABLE E99822 (196.9") / E99826 (39.4")

BLACK = L
 WHITE = N
 GREEN = EARTH
 PURPLE = 0-10V +
 GREY = 0-10V -



ORANGE = L
 BLUE = N
 YELLOW = EARTH
 RED = 0-10V +
 BLACK = 0-10V -



OLDER COLOR CHART!

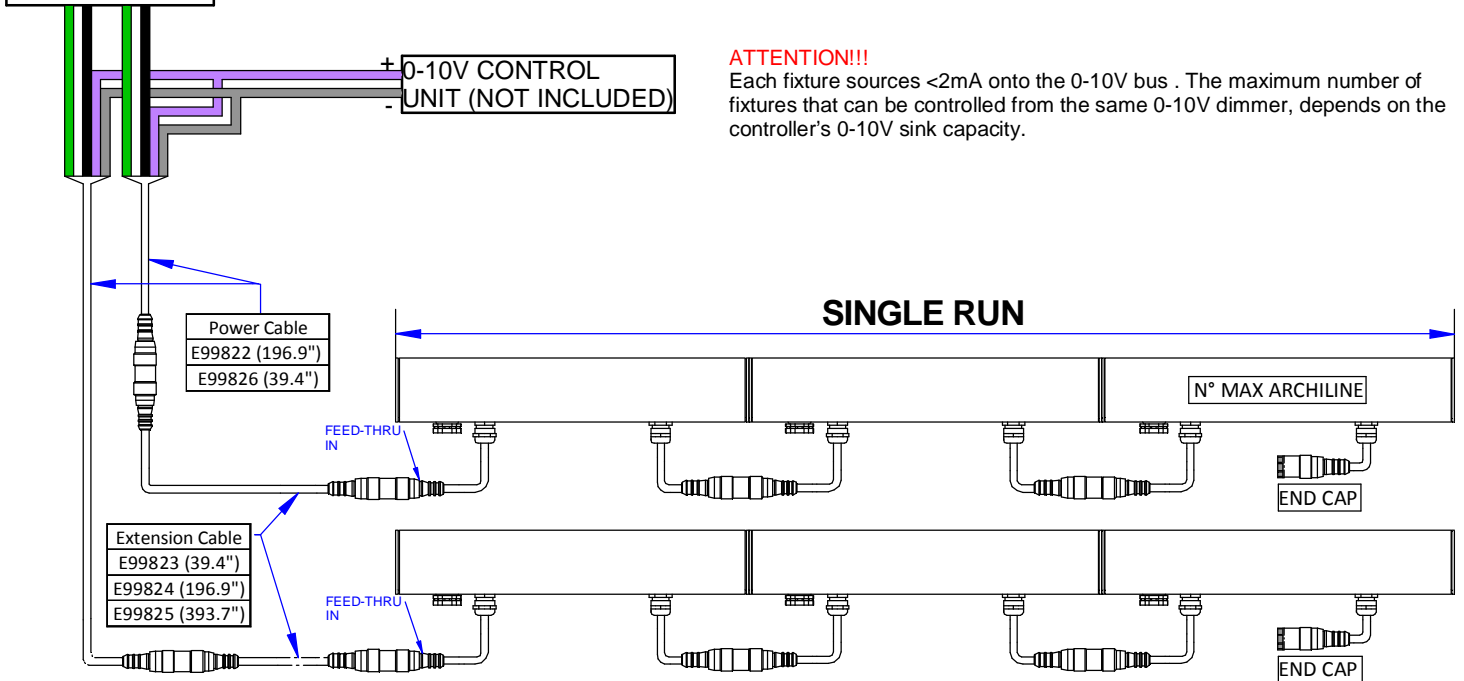
Previous version of the cable has different color.
 Follow the appropriate color chart depending on the installed cable.

MAINS VOLTAGE
 120-277Vac

0-10V CONTROL
 UNIT (NOT INCLUDED)

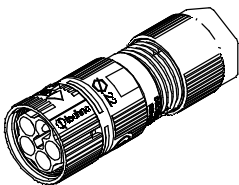
ATTENTION!!!

Each fixture sources <2mA onto the 0-10V bus . The maximum number of fixtures that can be controlled from the same 0-10V dimmer, depends on the controller's 0-10V sink capacity.

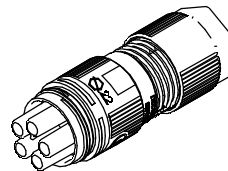


FEED-THRU CONNECTORS

"IN" SIDE



"OUT" SIDE



MODEL	ARCHILINE F			ARCHILINE FL			Archiline A				Archiline I		
CODE	E83530	E83531	E83532	E83526	E83527	E83528	E83536	E83537	E83538	E83539	E83543	E83544	E83545
	E83533	E83534	E83835				E83540	E83541	E83542		E83546	E83547	E83548
LENGTH (in)	12.6	19.7	39.4	12.6	19.7	39.4	14.6	22.1	41.4	60.7	14.8	22.2	41.5
MAX N° ARCHILINE CONNECTABLE ON A SINGLE RUN @ 120Vac	38	25	13	38	25	13	33	23	12	8	33	23	12
MAX N° ARCHILINE CONNECTABLE ON A SINGLE RUN @ 277Vac	75	50	25	75	50	25	65	45	23	15	65	45	23
SINGLE RUN MAX LENGHT	82ft @277Vac, 41ft @120Vac												
	NOTE: SINGLE RUN MAX LENGTH DO NOT INCLUDE EXTENSION CABLES BETWEEN FIXTURES												

RGBW DMX VERSION WIRING DIAGRAM

ALLinONE Power and DMX cable

connectors	sec. Ø
F 6 pin	3 x 15 awg + 2 x 24 awg + shield
L ft	
3.28	E98660
16.40	E98661



ALLinONE extension power and DMX cable

connectors	sec. Ø
M / F 6 pin	3 x 15 awg + 2 x 24 awg + shield
L ft	
3.28	E98662
16.40	E98663



Connector | DMX 120 Ω Terminator



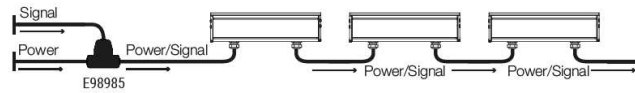
E98986
It is mandatory to install this terminator at the end of a single run

Connector splitter | ALLinONE splitter power/DMX



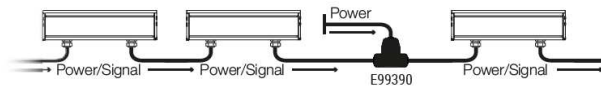
Start splitter

input	output
① 3 x 15 awg (for power supply)	③ ALLinONE F 3 x 15 awg + 2 x 24 awg + shield
② 2 x 23 awg (for DMX) +shield	

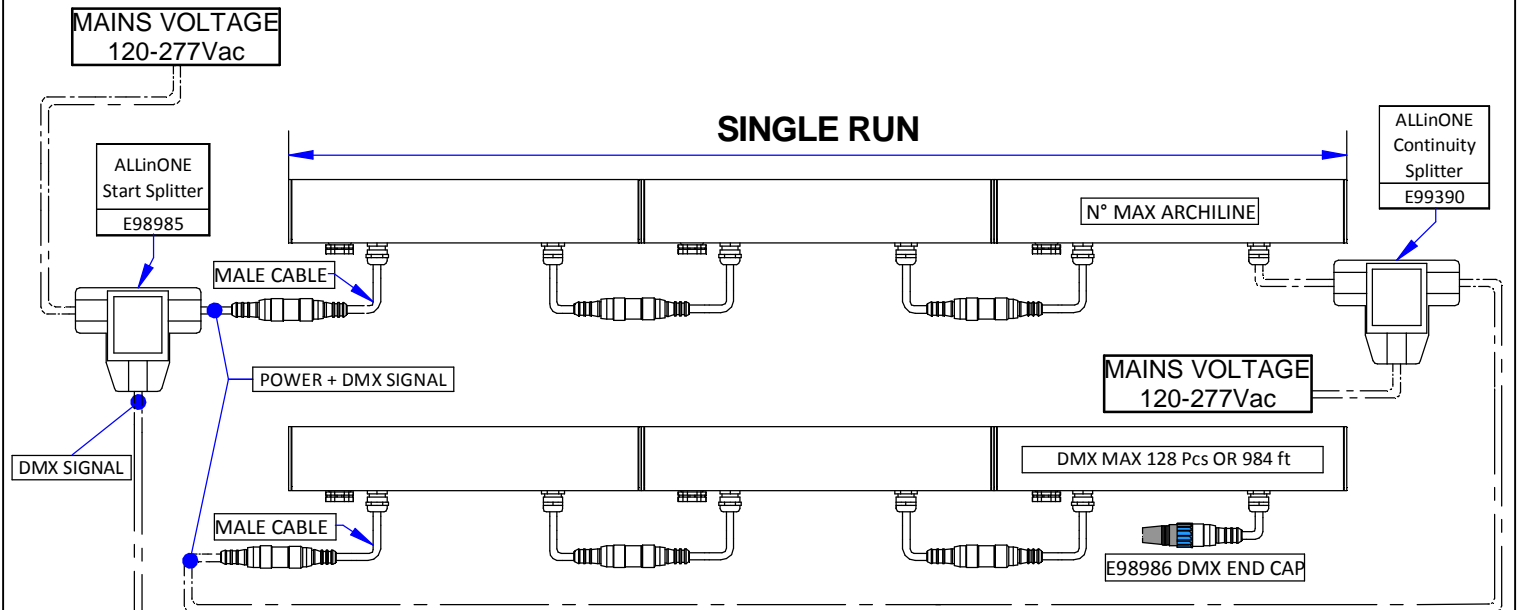


Continuity splitter A

input	output
① ALLinONE M 3 x 15 awg + 2 x 24 awg +shield	③ ALLinONE F 3 x 15 awg + 2 x 24 awg +shield
② 3 x 15 awg (for power supply)	



Secondary Cable Colours	Pole
Red wire	DMX+ (A)
White wire	DMX- (B)
Shield	DMX GND
Brown wire	L
Blue wire	N
Green/yellow wire	Earth



MODEL	ARCHILINE_F			ARCHILINE_FL			Archiline_A			Archiline_I		
CODE	E92083	E92084	E92093	E92143	E92144	E92145	E92100	E92104	E92108	E92080	E92081	E92082
LENGTH (in)	12,6	19,7	39,4	12,6	19,7	39,4	14,6	22,1	41,4	14,8	22,2	41,5
MAX N° ARCHILINE CONNECTABLE ON A SINGLE RUN @ 120Vac	38	25	13	38	25	13	33	23	12	33	23	12
MAX N° ARCHILINE CONNECTABLE ON A SINGLE RUN @ 277Vac	75	50	25	75	50	25	65	45	23	65	45	23
SINGLE RUN MAX LENGHT	82ft @277Vac, 41ft @120Vac NOTE: SINGLE RUN MAX LENGTH DO NOT INCLUDE EXTENSION CABLES BETWEEN FIXTURES											
MAX N° ARCHILINE CONNECTABLE ON A DMX LINE	128											
MAX DMX LINE LENGHT	984 ft NOTE: DMX LINE MAX LENGTH INCLUDE EXTENSION CABLES BETWEEN FIXTURES											