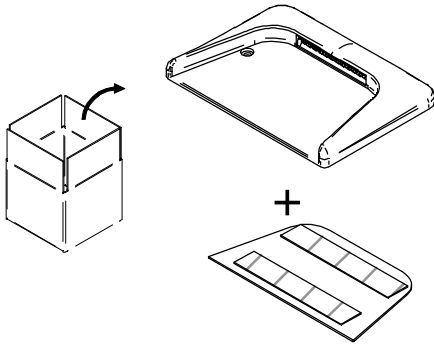


**ENVELOPE_W SURFACE MOUNTED
E97170 / E97172 / E81341 / E81342**

A code E97170 / E97172 / E81341 / E81342

**WARNING:**

INSTALL PRODUCT IN ACCORDANCE WITH LOCAL AND NATIONAL ELECTRICAL CODES BY A QUALIFIED ELECTRICIAN

**WARNING:**

FAILURE TO COMPLY WITH THE INSTALLATION INSTRUCTIONS MAY RESULT IN DEATH OR SEVERE INJURY.

**WARNING:**

READ ALL SAFETY INSTRUCTIONS INCLUDED WITH LUMINAIRE BEFORE INSTALLING LUMINAIRE. SAVE INSTRUCTIONS FOR FUTURE USE.

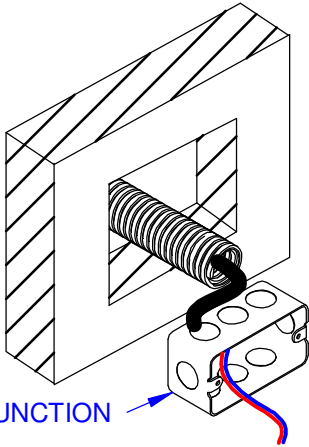
CAUTION:

THIS IS AN ELECTRONIC DEVICE. CARE MUST BE TAKEN DURING STORAGE AND HANDLING. STORE IN A CLEAN, COOL AND DRY LOCATION. ELECTROSTATIC DISCHARGE (ESD) CAN HARM THIS PRODUCT. AVOID STATIC DISCHARGE WHILE HANDLING THIS PRODUCT.

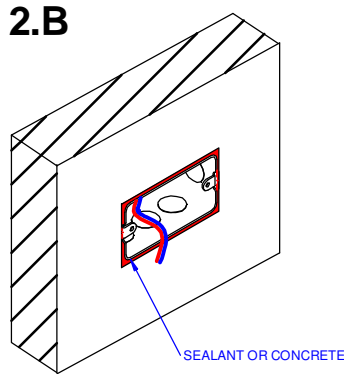
CAUTION:

INTER-LUX IS NOT RESPONSIBLE FOR THE STRUCTURAL INTEGRITY OF THE BUILDING TO SUPPORT THE LUMINAIRE. ADDITIONAL BACKING MAY BE REQUIRED.

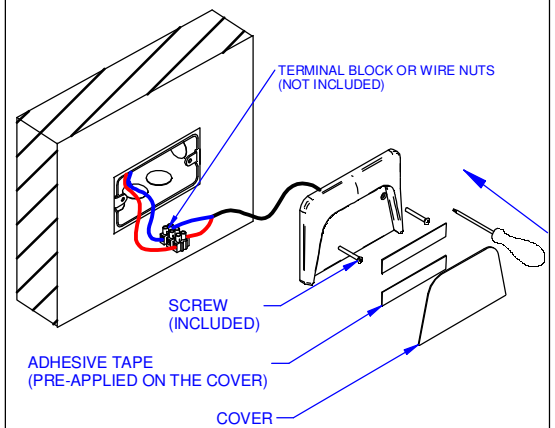
LOCATE AND REVIEW ANY CONSTRUCTION PLANS AND INTER-LUX RECORD DRAWINGS FOR ALL FIXTURE RUNS. IT IS RECOMMENDED TO LOCARE AND LAY OUT ALL COMPONENTS FOR EACH FIXTURE "RUN". A FIXTURE RUN TYPICALLY CONSISTS OF JOINERS, LENGTHS OF HOUSING, AND ENDCAPS. BE SURE TO IDENTIFY ALL CORRECT LENGTHS FOR EACH FIXTURE RUN.

ENVELOPE_W SURFACE MOUNTED INSTALLATION INSTRUCTIONS**1.B**

2"X4" JUNCTION BOX
(NOT INCLUDED)

2.B

SEALANT OR CONCRETE

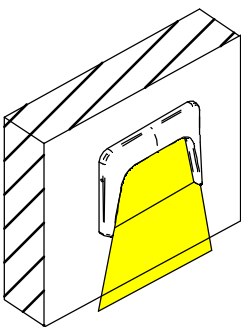
3.B

TERMINAL BLOCK OR WIRE NUTS
(NOT INCLUDED)

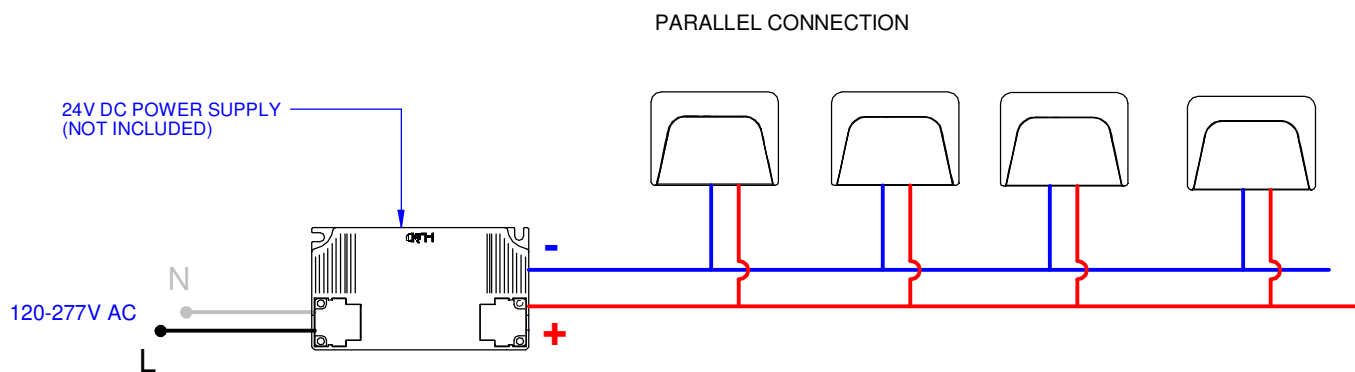
SCREW
(INCLUDED)

ADHESIVE TAPE
(PRE-APPLIED ON THE COVER)

COVER

4

WIRING DIAGRAM



THIS PRODUCT MUST BE INSTALLED IN ACCORDANCE WITH THE APPLICABLE INSTALLATION CODE BY A PERSON FAMILIAR WITH THE CONSTRUCTION AND OPERATION OF THE PRODUCT AND THE HAZARDS INVOLVED

MOUNTING INSTRUCTIONS

READ ALL OF THESE INSTRUCTIONS BEFORE INSTALLING FIXTURES

- CAUTION: USE ONLY WITH CLASS 2 POWER UNIT
- Keep all of the instructions for future reference
- Turn off power before installing fixture
- Installation is to be performed by a qualified electrician only
- All installations must conform to the National Electrical Code as well as all local jurisdictional codes and regulations
- Any modification of the luminaire will void any and all written or implied warranties
- The manufacture accepts no responsibility for damage to persons or property arising through improper use or installation

ENVELOPE W WALL INSTALLATION SEQUENCE

- Mount remote driver in accessible well ventilated space
- Ensure power is off before connecting driver to line voltage
- Mount the included bracket using the given rawplugs and screws. [1.A]
- Connect secondary wiring to fixture wiring
- Mount the article on the bracket using the included grub screws. [3.A]
- WARNING: Be sure secondary wiring is connected to driver BEFORE energizing to avoid LED failure
- Energize [4]

ENVELOPE W RECESSED INSTALLATION SEQUENCE

- Cut correct size opening in the wall [1.B]
- Mount a 4x2" junction box in the opening and seal it. [2.B]
- Mount remote driver in accessible well ventilated space
- Ensure power is off before connecting driver to line voltage
- Connect secondary wiring to fixture wiring
- Mount the article using the included screws and apply the cover. Cover has a pre-applied double-sided tape. [3.B]
- WARNING: Be sure secondary wiring is connected to driver BEFORE energizing to avoid LED failure
- Energize [4]

Secondary Cable Colours	Pole
Red wire	+
Blue wire	-