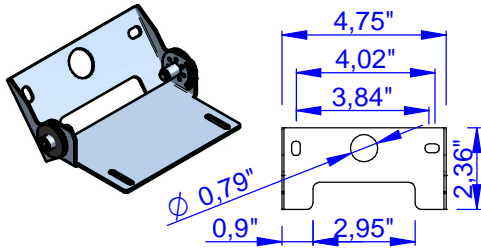
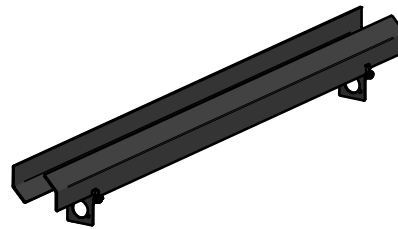


## BRACKET

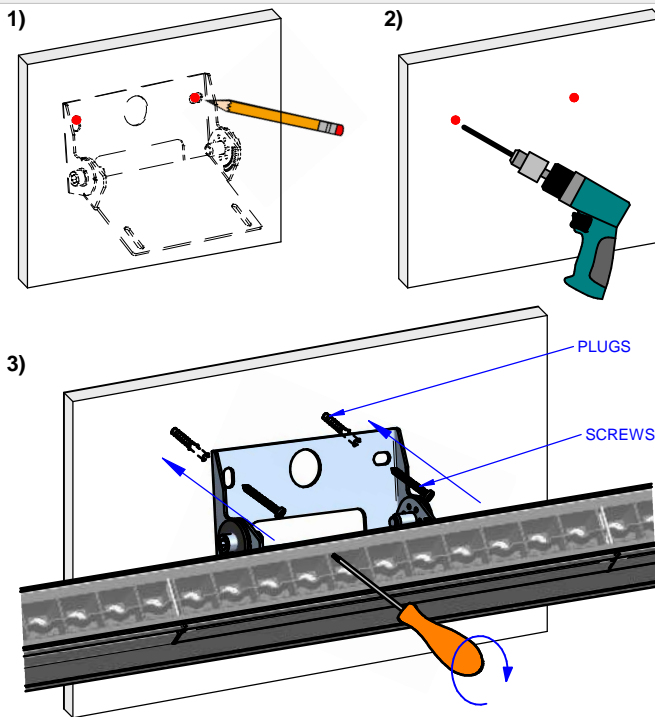


## FLAP ACCESSORY

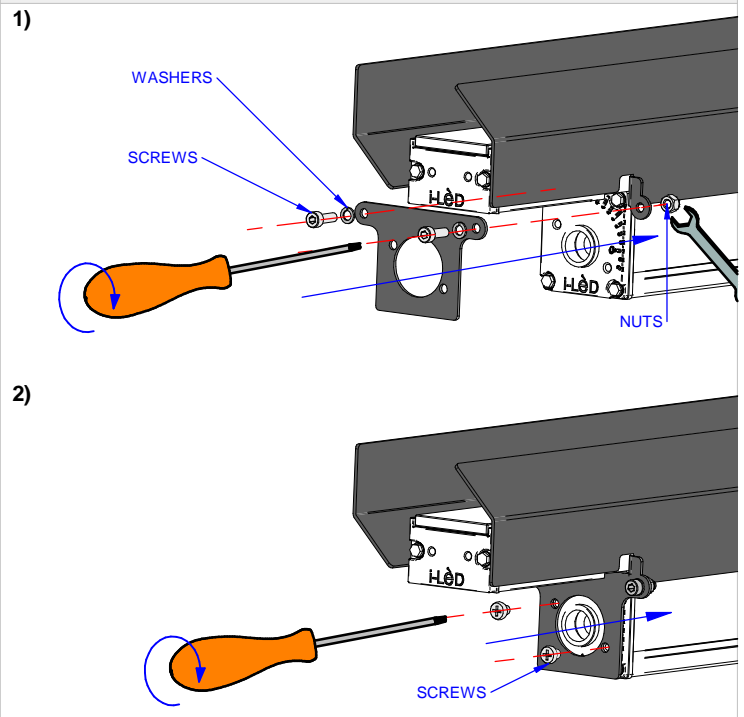


COD.	L (inch)
98675	24,41"
98676	36,22"
98677	48,03"

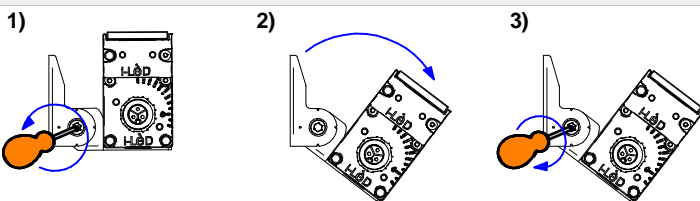
## BAR FIXING



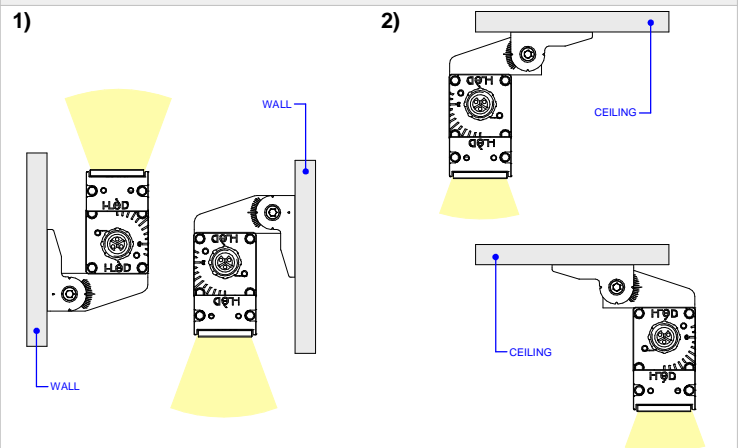
## FLAP ASSEMBLY



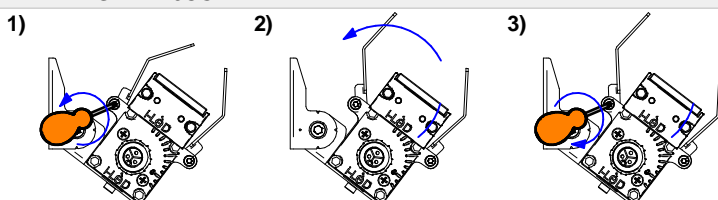
## BAR ANGLE ADJUSTMENT



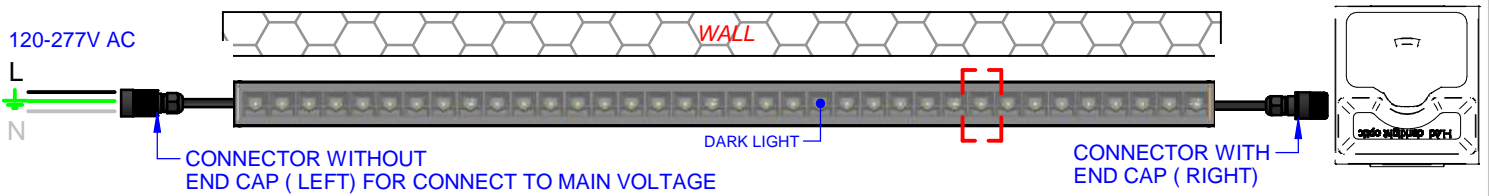
## BRACKET POSITION



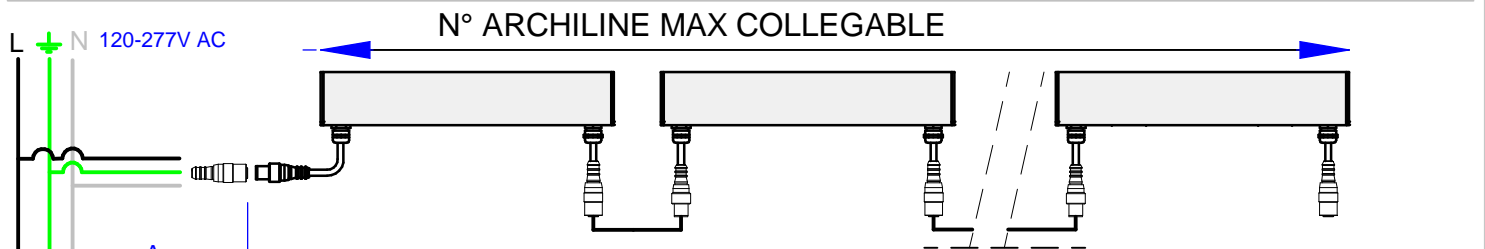
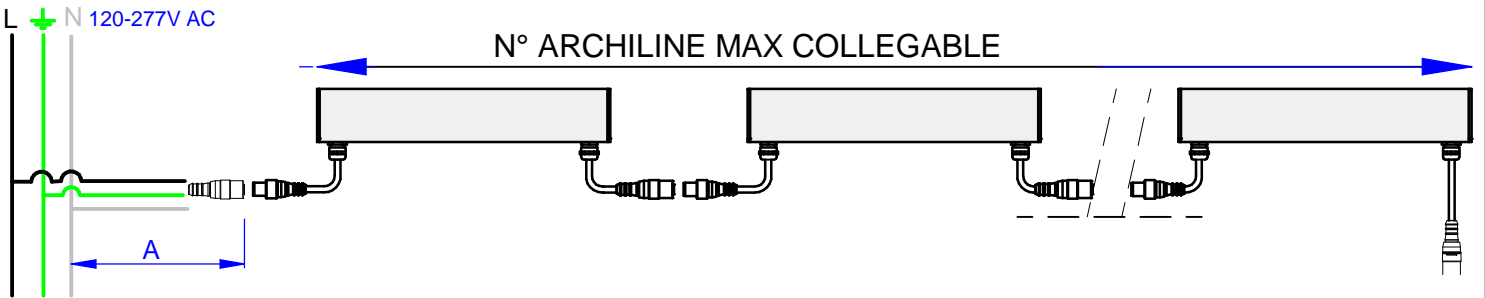
## FLAP ANGLE ADJUSTMENT



**BAR POSITIONING FOR DARK LIGHT EFFECT**



**Cabling scheme**



**POWER CABLE**

SECTION	15AWG	13AWG
A	246 ft.	426 ft.

COD.	E92112/ E92038	E92114/ E92040	E92118/ E92042	E92420/ E92044
L (inch)	12,60"	24,41"	36,22"	48,03"
n° ARCHILINE MAX COLLEGABLE	78	44	28	22

**THIS PRODUCT MUST BE INSTALLED IN ACCORDANCE WITH THE APPLICABLE INSTALLATION CODE BY A PERSON FAMILIAR WITH THE CONSTRUCTION AND OPERATION OF THE PRODUCT AND THE HAZARDS INVOLVED**

**MOUNTING INSTRUCTIONS**

- READ ALL OF THESE INSTRUCTIONS BEFORE INSTALLING FIXTURES
- Keep all of the instructions for future reference
  - Turn off power before installing fixture
  - Installation is to be performed by a qualified electrician only
  - All installations must conform to the National Electrical Code as well as all local jurisdictional codes and regulations
  - Any modification of the luminaire will void any and all written or implied warranties
  - The manufacture accepts no responsibility for damage to persons or property arising through improper use or installation

**INSTALLATION SEQUENCE**

- Instal the outercasing with the appropriate instructions
- Ensure power is off before connecting the Archiline to the main voltage
- Insert the Archiline into the outercasing following the images
- Fix the Archiline on the outercasing
- Energize
- \* To calculate the maximum extension cable, please contact the tecncal service with the tecncal specifications of the cable used

**WARNING !!! (ARCHILINE\_W MONO WHITE LIGHT)**

- The light source contained in this luminaire shall only be replaced by the manufacturer or his service agent or a similar qualified person.
- Photobiological risk: unlimited RG1.

**CONNECTORS FOR CABLE REEL:** 20 AWG min - 12 max AWG  
O.D. CABLE 0,275" min - 0,47" max

