

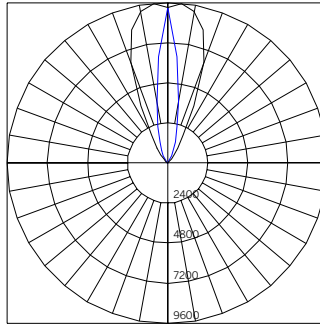
Archiline Aluminum Frame

FIXED

AR-RAF-F....NSP

Delivered Lumens - Narrow Spot

		Length [Wattage]			
		15 [15]	22 [22]	41 [44]	61 [65]
CCT	27	1013	1494	2847	4045
	30	1077	1590	3030	4301
	35	1077	1590	3030	4301
	40	1147	1692	3225	4605
		Polar Plot / Cone Of Light Multiplier			
		15 [15]	22 [22]	41 [44]	61 [65]
		0.36	0.52	1.00	1.42



Beam Angle (0-180) = 16.4
Beam Angle (90-270) = 46.2

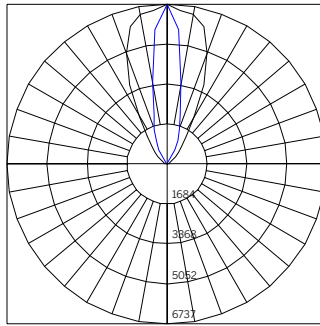
CONE OF LIGHT - 41" 44W 3000K NARROW SPOT AR-RAF-F-41-44-ID-30-NSP-...*

Throw Distance [Ft]	Illuminance [Fc]	Beam Diameter [Ft]
20	24	5.8
18	30	5.2
16	38	4.6
14	49	4.0
12	67	3.5
10	96	2.9
8	150	2.3
6	267	1.7
4	600	1.2
2	2400	0.6

AR-RAF-F....SP

Delivered Lumens - Narrow Spot

		Length [Wattage]			
		15 [15]	22 [22]	41 [44]	61 [65]
CCT	27	1008	1507	3030	4301
	30	1071	1603	3223	4574
	35	1071	1603	3223	4574
	40	1141	1707	3430	4896
		Polar Plot / Cone Of Light Multiplier			
		15 [15]	20 [22]	39 [44]	61 [65]
		0.33	0.50	1.00	1.42



Beam Angle (0-180) = 20.8
Beam Angle (90-270) = 52.4

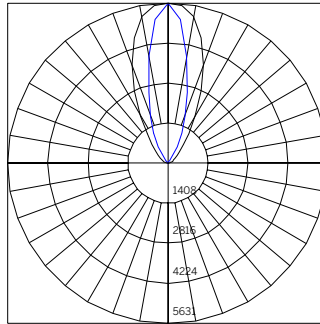
CONE OF LIGHT - 41" 44W 3000K SPOT AR-RAF-F-41-44-ID-30-SP-...*

Throw Distance [Ft]	Illuminance [Fc]	Beam Diameter [Ft]
20	17	7.3
18	21	6.6
16	26	5.9
14	34	5.1
12	47	4.4
10	67	3.7
8	105	2.9
6	187	2.2
4	421	1.5
2	1684	0.7

AR-RAF-F....FL

Delivered Lumens - Flood

		Length [Wattage]			
		15 [15]	22 [22]	41 [44]	61 [65]
CCT	27	929	1501	2913	4137
	30	987	1577	3098	4400
	35	987	1577	3098	4400
	40	1051	1680	3298	4707
		Polar Plot / Cone Of Light Multiplier			
		15 [15]	22 [22]	41 [44]	61 [65]
		0.32	0.51	1.00	1.42



Beam Angle (0-180) = 28.2
Beam Angle (90-270) = 59.8

CONE OF LIGHT - 41" 44W 3000K FLOOD AR-RAF-F-41-44-ID-30-FL-...*

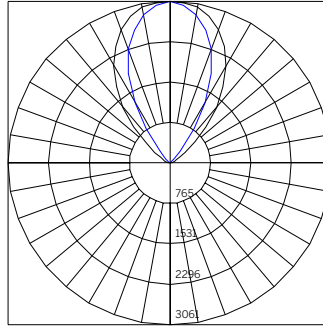
Throw Distance [Ft]	Illuminance [Fc]	Beam Diameter [Ft]
20	14	10.0
18	17	9.0
16	22	8.0
14	29	7.0
12	39	6.0
10	56	5.0
8	88	4.0
6	156	3.0
4	352	2.0
2	1408	1.0

*Polar Plot and Cone of Light are applicable to part number noted; use Multiplication Factor table to approximate other models or refer to online photometry.

Archiline Aluminum Frame

FIXED

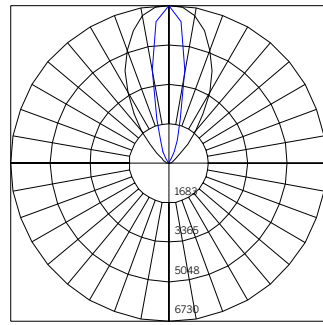
AR-RAF-F-...-WFL					
Delivered Lumens - Wide Flood					
		Length [Wattage]			
		15 [15]	22 [22]	41 [44]	61 [65]
CCT	27	1026	1540	3176	4509
	30	1091	1639	3378	4798
	40	1091	1639	3378	4798
		1162	1744	3596	5133
Polar Plot / Cone Of Light Multiplier					
		15 [15]	22 [22]	41 [44]	61 [65]
		0.32	0.49	1.00	1.42



Beam Angle (0-180) = 56.2
Beam Angle (90-270) = 76.0

CONE OF LIGHT - 41" 44W 3000K WIDE FLOOD		
AR-RAF-F-41-44-ID-30-WFL-...*		
Throw Distance [Ft]	Illuminance [Fc]	Beam Diameter [Ft]
20	8	21.4
18	9	19.2
16	12	17.1
14	16	15.0
12	21	12.8
10	31	10.7
8	48	8.5
6	85	6.4
4	191	4.3
2	765	2.1

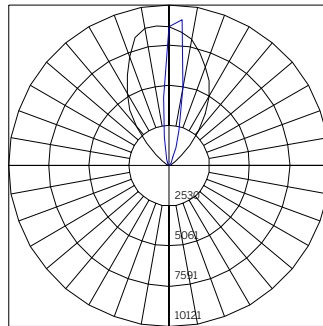
AR-RAF-F-...-EL					
Delivered Lumens - Elliptic					
		Length [Wattage]			
		15 [15]	22 [22]	41 [44]	61 [65]
CCT	27	961	1515	3024	4288
	30	1021	1610	3213	4564
	40	1021	1610	3213	4564
		1087	1714	3421	4882
Polar Plot / Cone Of Light Multiplier					
		15 [15]	22 [22]	41 [44]	61 [65]
		0.32	0.50	1.00	1.42



Beam Angle (0-180) = 23.2
Beam Angle (90-270) = 61.4

CONE OF LIGHT - 41" 44W 3000K ELLIPTIC		
AR-RAF-F-41-44-ID-30-EL-...*		
Throw Distance [Ft]	Illuminance [Fc]	Beam Diameter [Ft]
20	17	8.2
18	21	7.4
16	26	6.6
14	34	5.7
12	47	4.9
10	67	4.1
8	105	3.3
6	187	2.5
4	421	1.6
2	1683	0.8

AR-RAF-F-...-WW					
Delivered Lumens - Wall Wash					
		Length [Wattage]			
		15 [15]	22 [22]	41 [44]	61 [65]
CCT	27	1116	1710	3463	4916
	30	1187	1799	3683	5231
	40	1187	1799	3683	5231
		1263	1915	3920	5596
Polar Plot / Cone Of Light Multiplier					
		15 [15]	22 [22]	41 [44]	61 [65]
		0.32	0.49	1.00	1.42



Beam Angle (0-180) = 19.8
Beam Angle (90-270) = 59.6

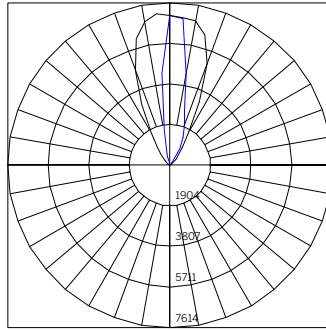
CONE OF LIGHT - 41" 44W 3000K WALL WASH		
AR-RAF-F-41-44-ID-30-WW-...*		
Throw Distance [Ft]	Illuminance [Fc]	Beam Diameter [Ft]
20	25	7.0
18	31	6.3
16	40	5.6
14	52	4.9
12	70	4.2
10	101	3.5
8	158	2.8
6	281	2.1
4	633	1.4
2	2530	0.7

*Polar Plot and Cone of Light are applicable to part number noted; use Multiplication Factor table to approximate other models or refer to online photometry.

Archiline Aluminum Frame

DL DARKLIGHT

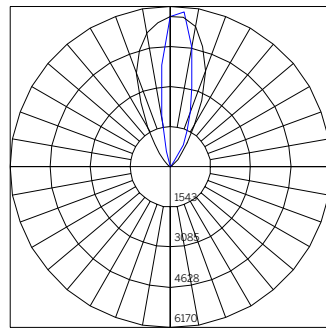
AR-RAF-FDL-...-SP Delivered Lumens - Spot				
Length [Wattage]				
15 [15] 22 [22] 41 [44]				
CCT	27	736	1217	2425
	30	783	1295	2578
	35	783	1295	2578
	40	832	1374	2736
Polar Plot / Cone Of Light Multiplier				
15 [15] 22 [22] 41 [44]				
		0.30	0.50	1.00



Beam Angle (0-180) = 24.9
Beam Angle (90-270) = 50.8

CONE OF LIGHT - 41" 44W 3000K SPOT AR-RAF-FDL-41-44-ID-30-SP-...*		
Throw Distance [Ft]	Illuminance [Fc]	Beam Diameter [Ft]
20	19	8.8
18	24	7.9
16	30	7.1
14	39	6.2
12	53	5.3
10	76	4.4
8	119	3.5
6	212	2.6
4	476	1.8
2	1904	0.9

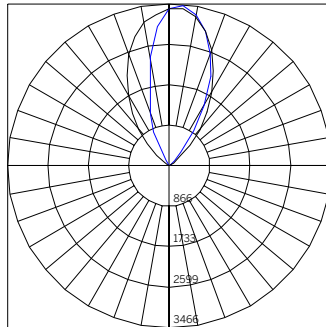
AR-RAF-FDL-...-FL Delivered Lumens - Flood				
Length [Wattage]				
15 [15] 22 [22] 41 [44]				
CCT	27	660	1140	2357
	30	702	1214	2509
	35	702	1214	2509
	40	746	1288	2663
Polar Plot / Cone Of Light Multiplier				
15 [15] 22 [22] 41 [44]				
		0.28	0.48	1.00



Beam Angle (0-180) = 33.0
Beam Angle (90-270) = 49.4

CONE OF LIGHT - 41" 44W 3000K FLOOD AR-RAF-FDL-41-44-ID-30-FL-...*		
Throw Distance [Ft]	Illuminance [Fc]	Beam Diameter [Ft]
20	15	11.8
18	19	10.7
16	24	9.5
14	31	8.3
12	43	7.1
10	62	5.9
8	96	4.7
6	171	3.6
4	386	2.4
2	1543	1.2

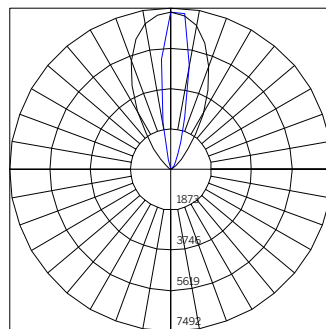
AR-RAF-FDL-...-WFL Delivered Lumens - Wide Flood				
Length [Wattage]				
15 [15] 22 [22] 41 [44]				
CCT	27	796	1352	2446
	30	845	1439	2603
	35	845	1439	2603
	40	897	1527	2762
Polar Plot / Cone Of Light Multiplier				
15 [15] 22 [22] 41 [44]				
		0.32	0.55	1.00



Beam Angle (0-180) = 57.0
Beam Angle (90-270) = 63.4

CONE OF LIGHT - 41" 44W 3000K WIDE FLOOD AR-RAF-FDL-41-44-ID-30-WFL-...*		
Throw Distance [Ft]	Illuminance [Fc]	Beam Diameter [Ft]
20	9	21.7
18	11	19.5
16	14	17.4
14	18	15.2
12	24	13.0
10	35	10.9
8	54	8.7
6	96	6.5
4	217	4.3
2	867	2.2

AR-RAF-FDL-...-EL Delivered Lumens - Elliptic				
Length [Wattage]				
15 [15] 22 [22] 41 [44]				
CCT	27	759	1336	2611
	30	807	1421	2777
	35	807	1421	2777
	40	857	1508	2948
Polar Plot / Cone Of Light Multiplier				
15 [15] 22 [22] 41 [44]				
		0.29	0.51	1.00



Beam Angle (0-180) = 25.4
Beam Angle (90-270) = 54.4

CONE OF LIGHT - 41" 44W 3000K ELLIPTIC AR-RAF-FDL-41-44-ID-30-EL-...*		
Throw Distance [Ft]	Illuminance [Fc]	Beam Diameter [Ft]
20	19	9.0
18	23	8.1
16	29	7.2
14	38	6.3
12	52	5.4
10	75	4.5
8	117	3.6
6	208	2.7
4	468	1.8
2	1873	0.9

*Polar Plot and Cone of Light are applicable to part number noted; use Multiplication Factor table to approximate other models or refer to online photometry.