
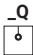

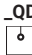

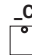














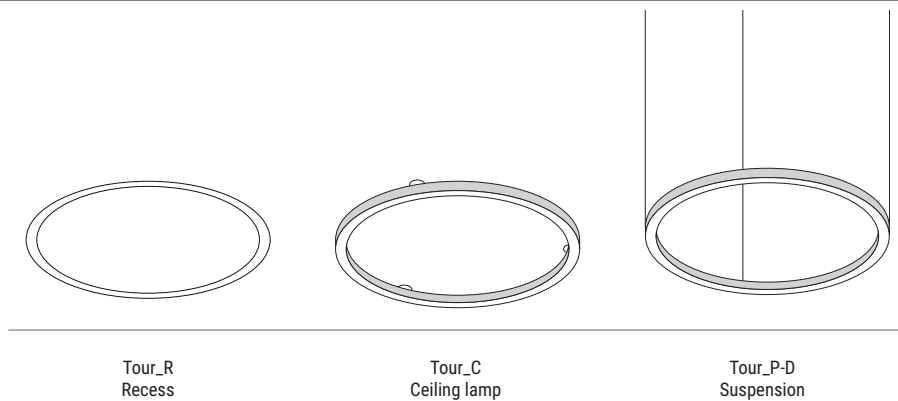
tour range



						
26.2 x 26.2 in	-	Q - QV 45 W	-	90 W	-	-
29.1 in	PD - PU 37.5 W	-	75 W	-	37.5 W	37.5 W
29.5 in	PI 29 W	-	-	-	-	-
35.8 in	PD - PU 45 W	-	90 W	-	-	-
36 in	-	-	-	-	45 W	-
37.2 in	PI 36.5 W	-	-	-	-	36.5 W
49.8 x 48.8 in		Q 90 W	-	180 W	-	-
56.3 in	PD 70 W	-	140 W	-	-	-
56.5 in	-	-	-	-	70 W	-
58.1 in	PI 57.5 W	-	-	-	-	57.5 W
65.6 x 65.6 in		Q 105 W	-	210 W	-	-
96.5 in	PD - PU 114 W	-	224 W	-	-	-
Finish						
CRI 92	3000K 3500K 4000K	3000K 3500K 4000K	3000K 3500K 4000K	3000K 3500K 4000K	3000K 3500K 4000K	3000K 3500K 4000K
Emission						
Driver	On/Off 0-10 V	On/Off 0-10 V	On/Off 0-10 V	On/Off 0-10 V	On/Off 0-10 V	On/Off 0-10 V

Application versatility

Tour's development process created the product as an application solution capable of adapting to any architectural need. In the suspension version, the support cables are the same that power-supply the product and they come 196.85 inch long on the four dimensions. Lastly, thanks to the ceiling-mounted version and recess, Tour becomes a dynamic element provided with a clean design without interfering with the style it is made of.



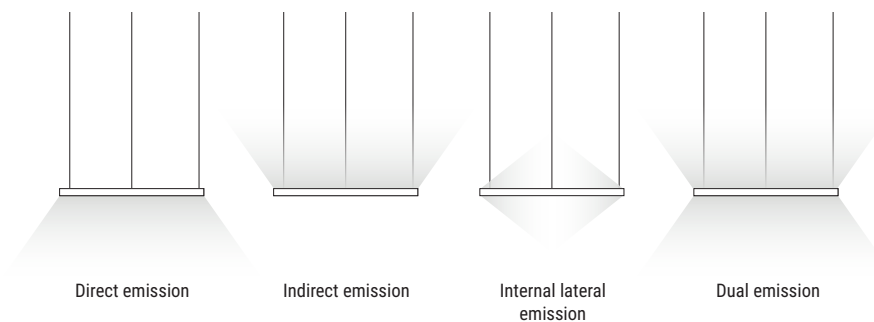
The ring

Tour comes with an extruded aluminum profile which places it in a class of its own due to its almost imperceptible size. Due to its prestigious six finishes, Tour becomes an all-around element suitable for any architectural solution.



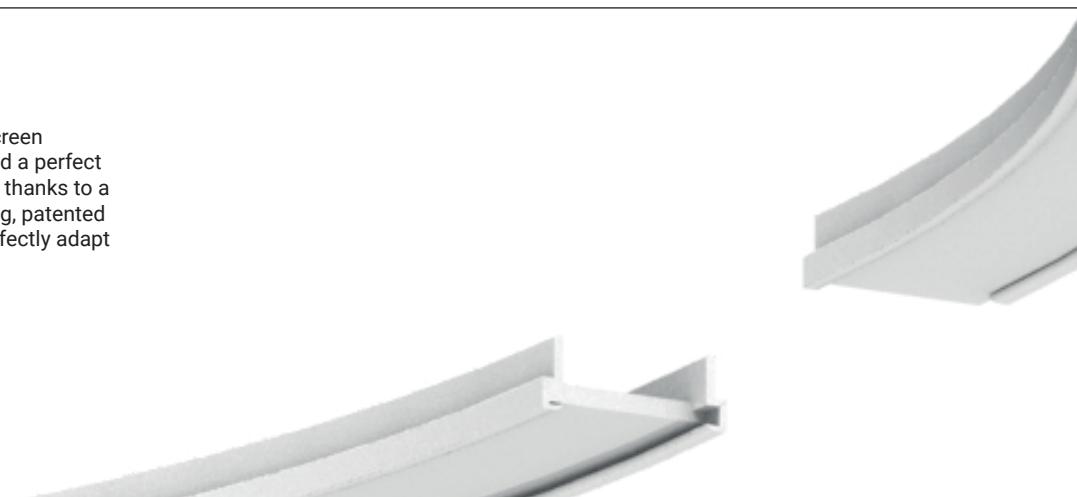
Emissions range

Tour comes with four different emissions: direct, indirect, internal lateral and dual-side emission. Four lighting effects that can be combined with each other in countless combinations to transform the environments with a minimal and contemporary light.



Harmonic diffusion

The opaline polycarbonate screen guarantees visual comfort and a perfect diffusion. Is easily removable thanks to a system equipped with a spring, patented and specially designed to perfectly adapt to the extruded element.



Tour_R | Integrated Luminaires | 24 V | topLED | Driver remote | 37.5W



29.2

1.5

Ø 29.3



White	E65420	3000 K	4678 lm	W	General	00
Black	E65421	3500 K	4678 lm	T		
Nickel	E65422	4000 K	5006 lm	N		
Gold	E63710					
Bronze	E65424					
Rose gold	E65425					

Power supply options (remote only)

OT96-D010

Osram, 10% 0-10V dim, 96W, 24VDC, 120-277VAC, supplied in a Dry location enclosure

OT96-JBX

Osram, Non-Dim, 96W, 24VDC, 120-277VAC, Wet Location



Tour_R | Integrated Luminaires | 24 V | topLED | Driver remote | 45W



35.9

1.5

Ø 36



White	E65426	3000 K	5847 lm	W	General	00
Black	E65427	3500 K	5847 lm	T		
Nickel	E65428	4000 K	6139 lm	N		
Gold	E63720					
Bronze	E65430					
Rose gold	E65431					

Power supply options (remote only)

OT96-D010

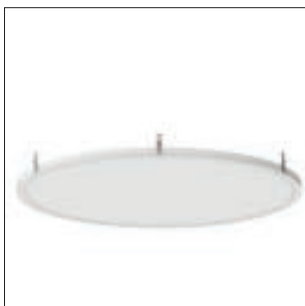
Osram, 10% 0-10V dim, 96W, 24VDC, 120-277VAC, supplied in a Dry location enclosure

OT96-JBX

Osram, Non-Dim, 96W, 24VDC, 120-277VAC, Wet Location



Tour_R | Integrated Luminaires | 24 V | topLED | Driver remote | 70W



56.4

1.5

Ø 56.5



White	E65432	3000 K	9355 lm	W	General	00
Black	E65433	3500 K	9355 lm	T		
Nickel	E65434	4000 K	9823 lm	N		
Gold	E63730					
Bronze	E65436					
Rose gold	E65437					

Power supply options (remote only)

OT96-D010

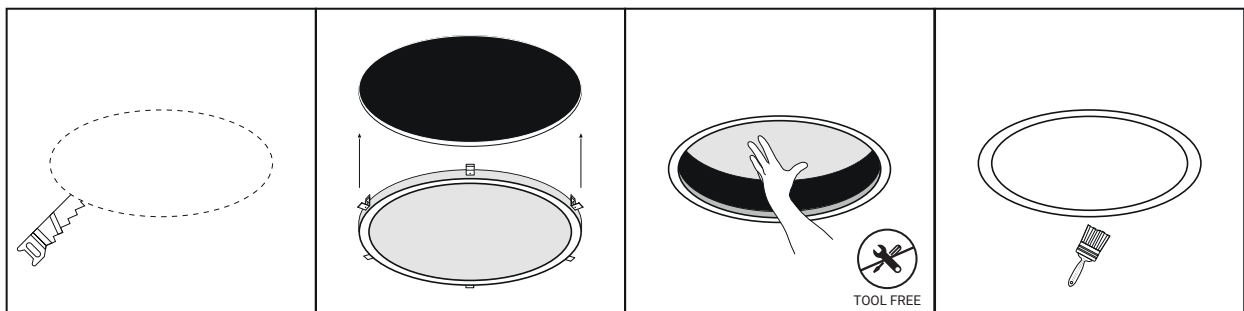
Osram, 10% 0-10V dim, 96W, 24VDC, 120-277VAC, supplied in a Dry location enclosure

OT96-JBX

Osram, Non-Dim, 96W, 24VDC, 120-277VAC, Wet Location



Removal steps of the EPS element



Dropped ceiling section

Product insertion

Removing cap

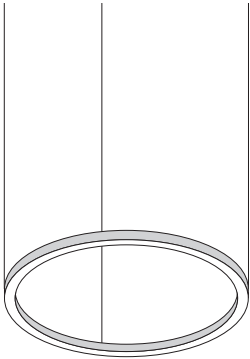
Painting and positioning the cap



Single lighting remote driver configuration

Providing a Tour_PD composition with remote driver.

Selection Tour model



Selection suspension kit



Selection driver / controller

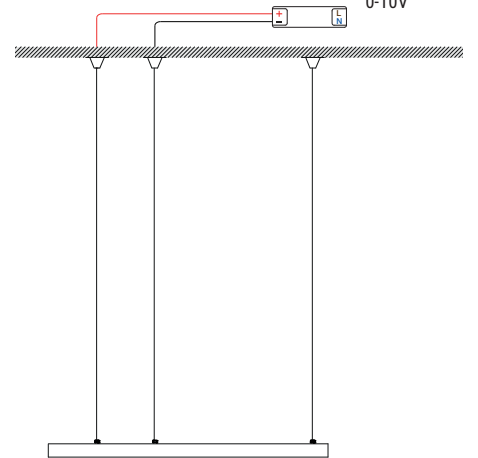
OT96-D010

Osram, 10% 0-10V dim, 96W, 24VDC, 120-277VAC, supplied in a Dry location enclosure

OT96-JBX

Osram, Non-Dim, 96W, 24VDC, 120-277VAC, Wet Location

Final result



Driver:
ON/OFF
0-10V

Ordering example:

n.1 art. E64570W00
(Tour_PD1)

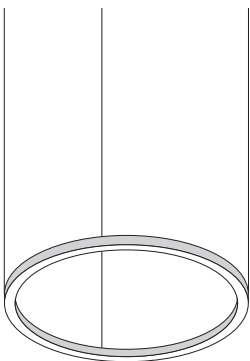
+

n.1 art. E64575
(Suspensions)

Dual lighting remote driver configuration

Providing a Tour_D composition with remote driver which commands dual lighting.

Selection Tour model



Selection suspension kit



Selection driver / controller

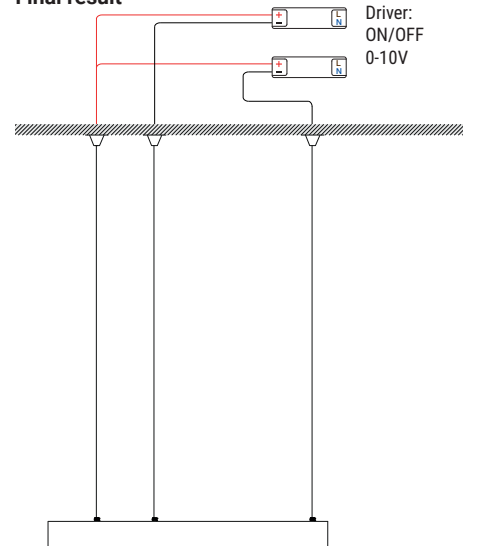
OT96-D010

Osram, 10% 0-10V dim, 96W, 24VDC, 120-277VAC, supplied in a Dry location enclosure

OT96-JBX

Osram, Non-Dim, 96W, 24VDC, 120-277VAC, Wet Location

Final result



One driver for uplight, one for downlight

Driver:
ON/OFF
0-10V

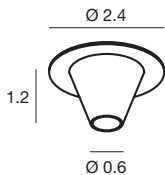
Ordering example:

n.1 art. E65312W00
(Tour_D3)

+

n.1 art. E64575
(Suspensions)

3-cone fixing kit Tour_R



For version Ø 96.46 requires 2x fixing kit with 3 cones each

type

White **E64575**

Black **E64670**

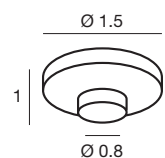
Nickel **E64671**

Gold **E63700**

Bronze **E64673**

Rosegold **E65141**

3-cone fixing kit Tour_Q

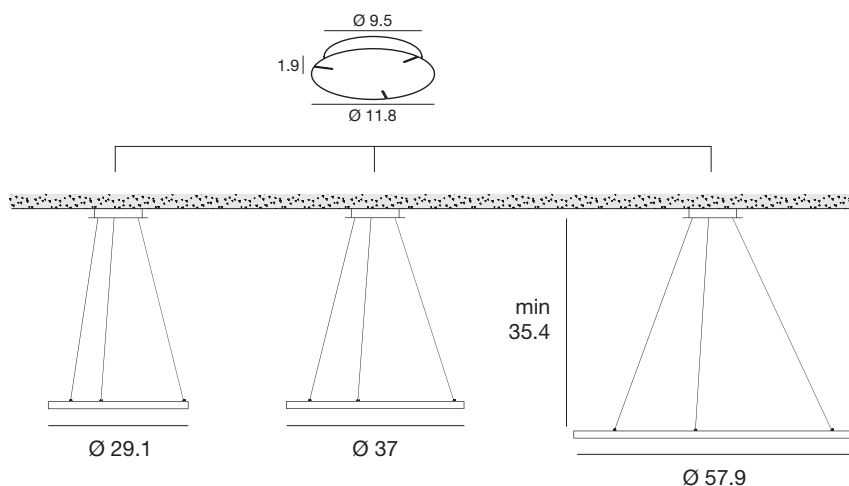


type

White **E64270**

Black **E64240**

3-coupling point ceiling rose for one-side emission Tour R

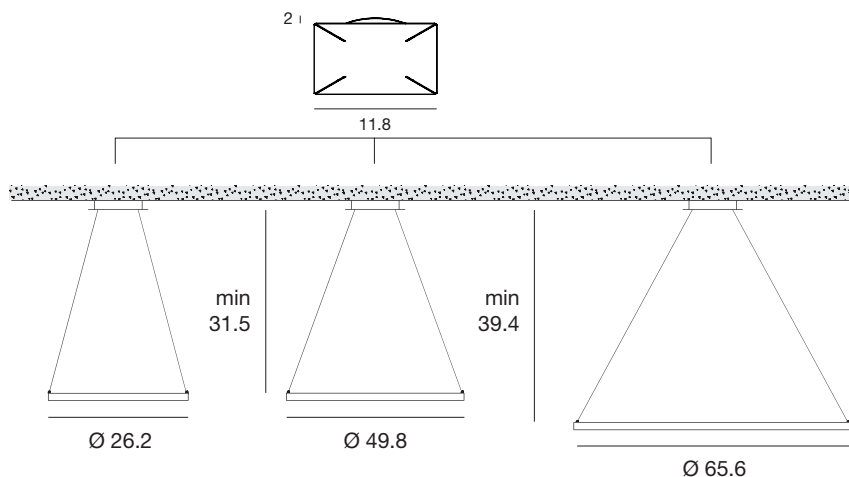


Available for PD1 - PI1 - PU1 - PD2 - PI2 - PU2 - PD3 - PI3 - PU3

type ON/OFF
Max 75 W

White	E64578
Black	E65142
Nickel	E65144
Gold	E63706
Bronze	E65148
Rosegold	E65150

4-coupling point ceiling rose for one-side emission Tour Q



Available for one-side emission Tour Q

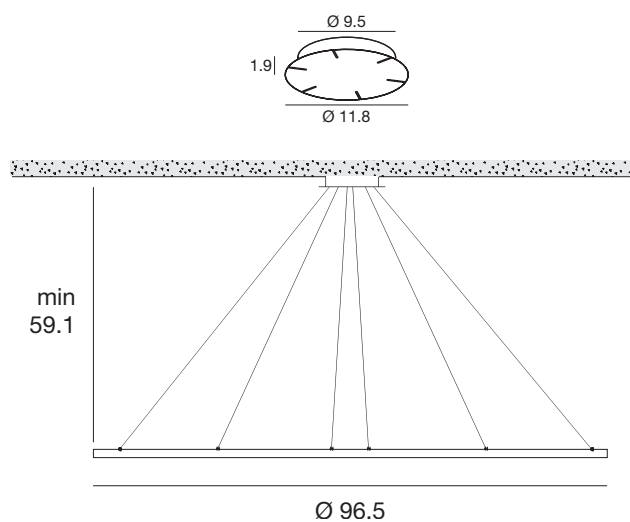
type ON/OFF
Max 75 W

White	E64368
Black	E64369

type ON/OFF
Max 150 W

White	E64378
Black	E64379

6-point coupling ceiling rose for 96.46 inch-long one-side emission Tour R



One side emission
Available for PD4 - PU4

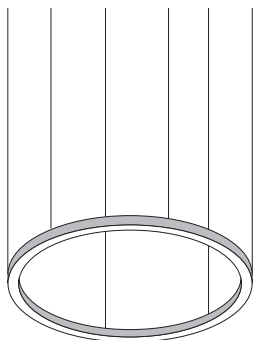
type ON/OFF
Max 150 W

White	E64580
Black	E65152
Nickel	E65154
Gold	E63708
Bronze	E65158
Rosegold	E65160

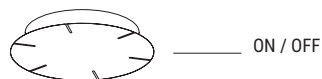
Configuration with 96.46 dual-side emission central ceiling rose

Providing a Tour_D composition with ON / OFF central ceiling rose.

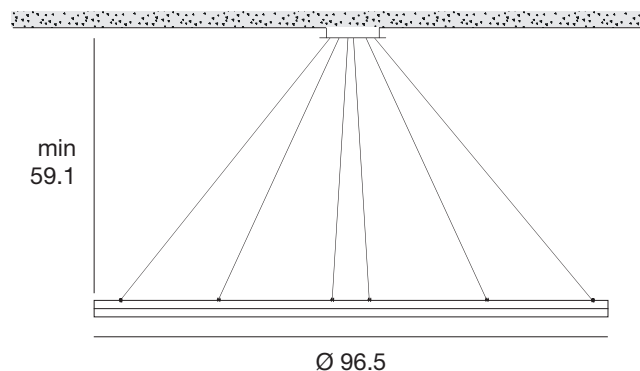
Selection Tour model



Selection of central ceiling rose



Final result



Ordering example:

n.1 art. E64570W00
(Tour_PD1)

+

n.1 art. E64578
(ON/OFF)

Coupling ceiling rose for dual-side emission Tour R

Available for D1-D2-D3

type ON/OFF
Max 75+75 W

Ø 9.5
1.9
Ø 11.8

White	E65324
Black	E65326
Nickel	E65328
Gold	E63701
Bronze	E65332
Rosegold	E65334

Available for D4

type ON/OFF
Max 150+150 W

Ø 9.5
1.9
Ø 11.8

White	E65336
Black	E65338
Nickel	E65340
Gold	E63703
Bronze	E65344
Rosegold	E65346

Coupling ceiling rose for dual-side emission Tour Q

Available for dual-side emission Tour Q

type ON/OFF
Max 75 W + 75 W

1
2
11.8

White	E64358
Black	E64359

Available for dual-side emission Tour Q

type ON/OFF
Max 150 W + 150 W

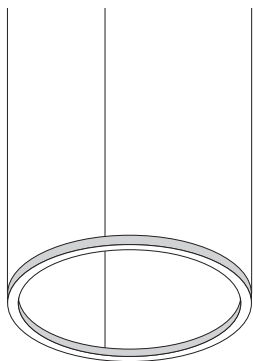
1
2
18.1

White	E64338
Black	E64339

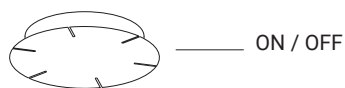
Configuration with central ceiling rose for compositions

Providing a Tour_PD, PU and D composition with central ceiling rose ON / OFF.

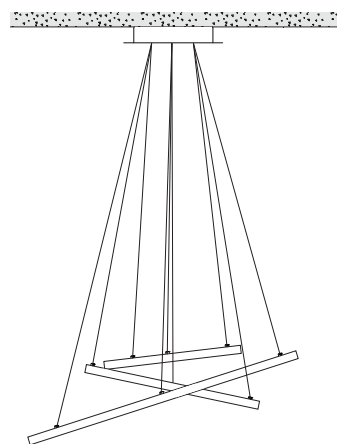
Selection Tour model



Selection of central ceiling rose



Final result



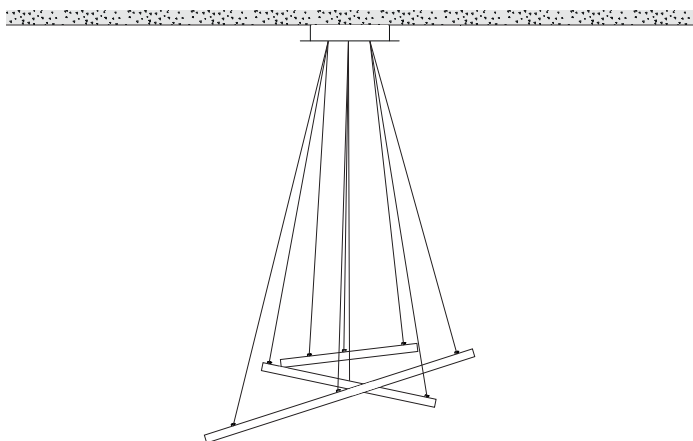
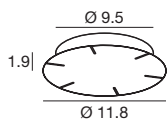
Ordering example:

n.1 art. E64570W00
n.1 art. E64584W00
n.1 art. E65312W00

+

n.1 art. E65412
(ON/OFF)

6-point ceiling rose for 3 tour fixing



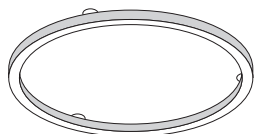
type ON/OFF
Max 450 W

White	E65412
Black	E65413
Nickel	E65414
Gold	E63716
Bronze	E65416
Rose gold	E65417

Configuration of Tour_C with spacer kit

Providing an ON/OFF composition. Tour_CI, CD with spacer kit. Tour_C is distributed including 0.9 inch spacers which can be possibly replaced by the suspension kit to extend the distance from the ceiling.

Selection Tour model



Selection suspension kit



Selection driver / controller

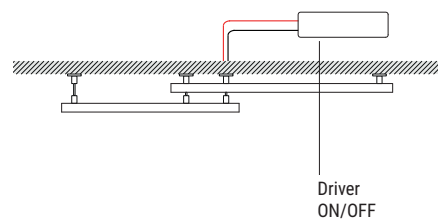
OT96-D010

Osram, 10% 0-10V dim, 96W, 24VDC, 120-277VAC, supplied in a Dry location enclosure

OT96-JBX

Osram, Non-Dim, 96W, 24VDC, 120-277VAC, Wet Location

Final result



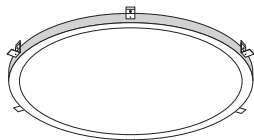
Ordering example:

n.1 art. E65368W00 + n.1 art. E65386 (spacer kit) + n.1 art. E99374 (driver ON/OFF)
n.1 art. E65356W00

Recess Tour configuration

Providing an ON/OFF configuration with Tour_R.

Selection Tour model



Selection driver / controller

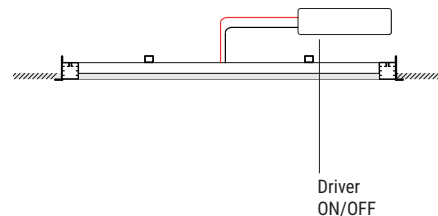
OT96-D010

Osram, 10% 0-10V dim, 96W, 24VDC, 120-277VAC, supplied in a Dry location enclosure

OT96-JBX

Osram, Non-Dim, 96W, 24VDC, 120-277VAC, Wet Location

Final result



Ordering example:

n.1 art. E65420W00 + n.1 art. E99374 (driver ON/OFF)