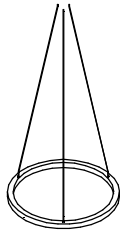
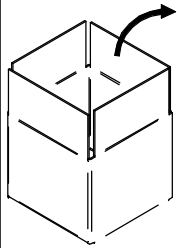
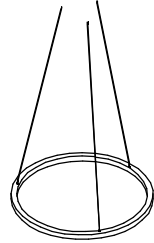
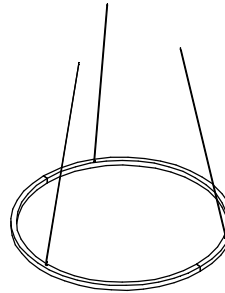


**TOUR**

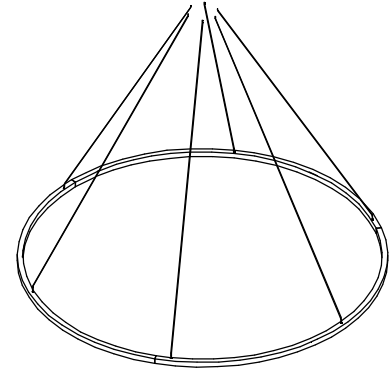
29.1"/29.5"



35.8"/37.2"



56.3"/58.1"



96.5"

**WARNING:**

INSTALL PRODUCT IN ACCORDANCE WITH LOCAL AND NATIONAL ELECTRICAL CODES BY A QUALIFIED ELECTRICIAN

**WARNING:**

FAILURE TO COMPLY WITH THE INSTALLATION INSTRUCTIONS MAY RESULT IN DEATH OR SEVERE INJURY.

**WARNING:**

READ ALL SAFETY INSTRUCTIONS INCLUDED WITH LUMINAIRE BEFORE INSTALLING LUMINAIRE. SAVE INSTRUCTIONS FOR FUTURE USE.

CAUTION:

THIS IS AN ELECTRONIC DEVICE. CARE MUST BE TAKEN DURING STORAGE AND HANDLING. STORE IN A CLEAN, COOL AND DRY LOCATION. ELECTROSTATIC DISCHARGE (ESD) CAN HARM THIS PRODUCT. AVOID STATIC DISCHARGE WHILE HANDLING THIS PRODUCT.

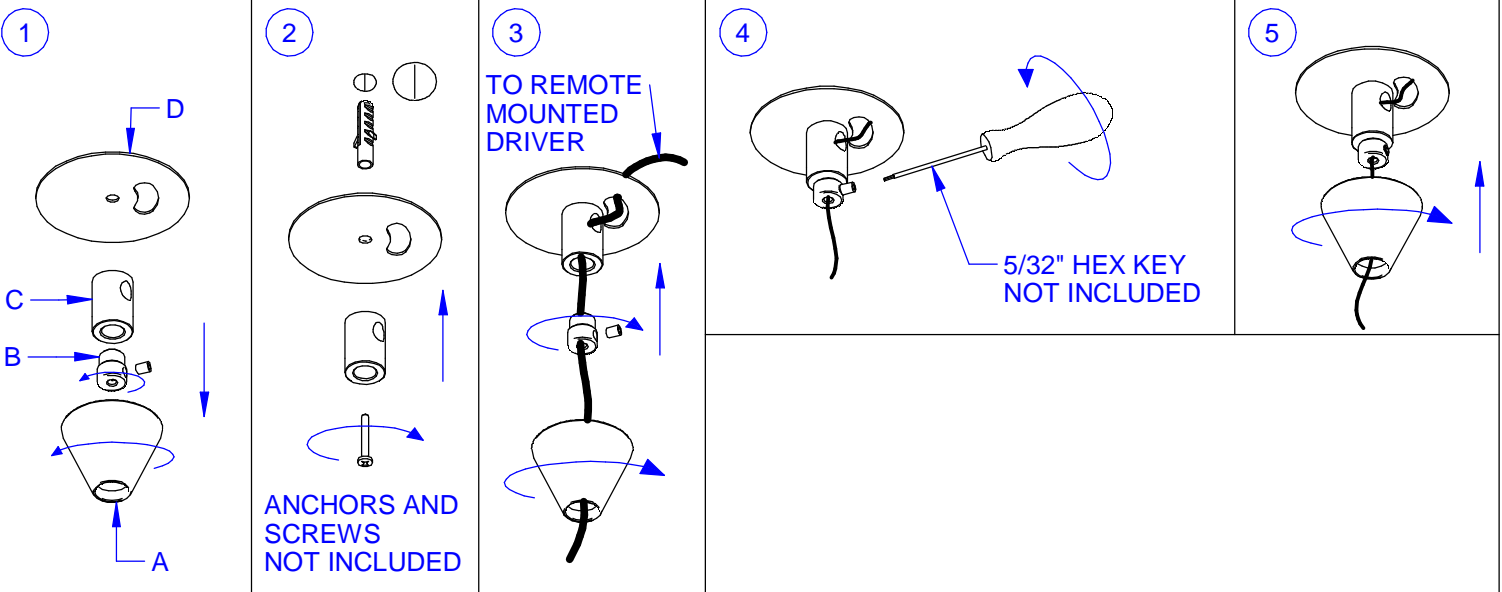
CAUTION:

INTER-LUX IS NOT RESPONSIBLE FOR THE STRUCTURAL INTEGRITY OF THE BUILDING TO SUPPORT THE LUMINAIRE. ADDITIONAL BACKING MAY BE REQUIRED.

LOCATE AND REVIEW ANY CONSTRUCTION PLANS AND INTER-LUX RECORD DRAWINGS FOR ALL FIXTURE RUNS. IT IS RECOMMENDED TO LOCARE AND LAY OUT ALL COMPONENTS FOR EACH FIXTURE "RUN". A FIXTURE RUN TYPICALLY CONSISTS OF JOINERS, LENGTHS OF HOUSING, AND ENDCAPS. BE SURE TO IDENTIFY ALL CORRECT LENGTHS FOR EACH FIXTURE RUN.

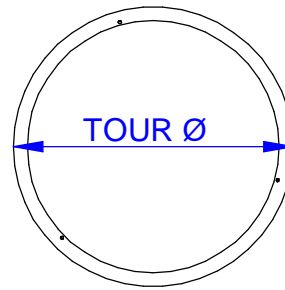
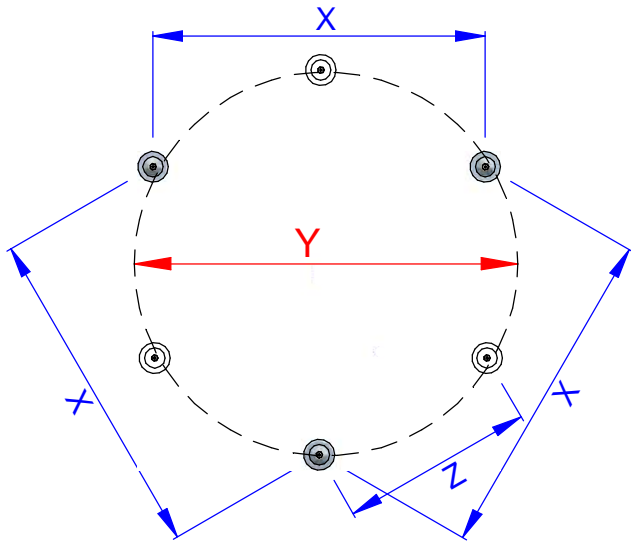
INSTALLATION INSTRUCTIONS**TOUR INSTALLATION WITH 3-CONE FIXING KIT**

FIXING KIT INCLUDES 3 CONE (ONE PER WIRE), THE 96.5in DIAMETER TOUR REQUIRES 2 KITS

**INSTALLATION SEQUENCE**

- 1- Unscrew the part A and B
- 2- Make holes on the ceiling to insert the anchor and for the wire passage, then mount the part C and D on the ceiling as shown
- 3- Pass the cable through the parts A - B - C - D, connect the fixture wires to the ones coming from the remote mounted driver (wires are labeled with + and -) and tighten the part B on the part C
- 4- Lock the wire on the part B tightening the set screw
- 5- Tighten the part A on the part C

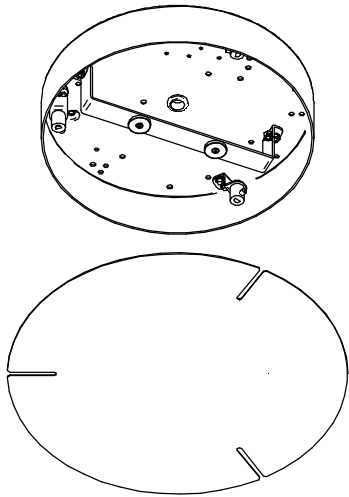
Distance between mounting holes



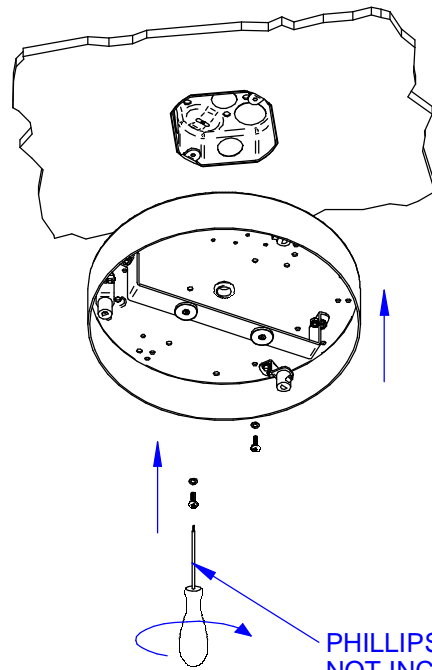
	TOUR Ø	n° cables	X (in)	Y _Ø	Z
LIGHT DIRECT AND INDIRECT	Ø 29.1"	3	23.23"	26.85"	—
	Ø 35.8"	3	29.06"	33.54"	—
	Ø 56.3"	3	46.77"	54.02"	—
INTERNAL LIGHT	Ø 96.5"	6	—	94.96"	47.48"
	Ø 29.5"	3	24.65"	28.46"	—
	Ø 37.2"	3	31.18"	35.98"	—
	Ø 58.1"	3	49.29"	56.89"	—

TOUR INSTALLATION WITH CANOPY

1

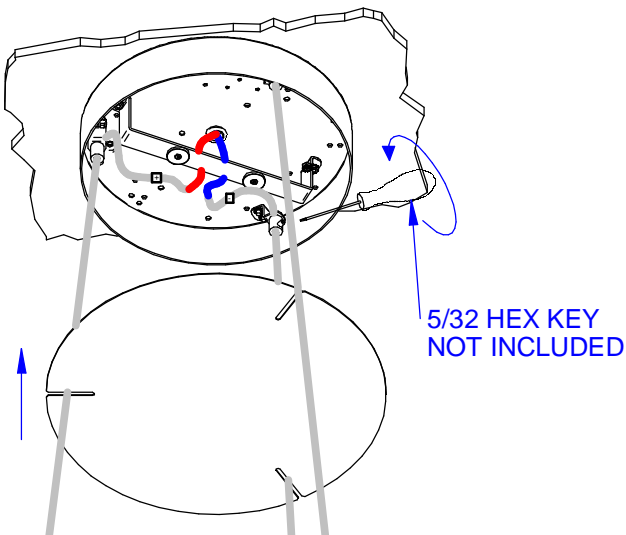


2



IT IS MANDATORY TO PROVIDE AN EXTRA SUPPORT (FOR EXAMPLE: ANCHORS+SCREWS) USING THESE 3 HOLES.

3

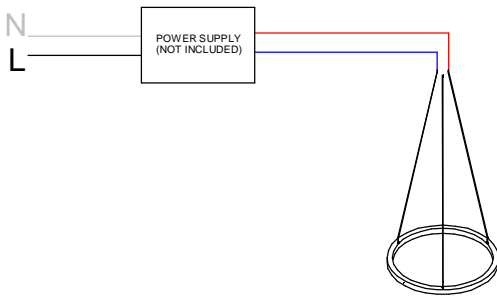


INSTALLATION SEQUENCE

- 1- Pull and remove the magnetically attached cover. It is connected to the base with a safety aircraft cable that can be temporarily removed during the installation.
- 2- Mount the base on the J-BOX using the indicated holes. It is mandatory to provide an extra support using the other indicated holes. If the canopy is mounted without a J-BOX use the three holes to mount the canopy to the ceiling structure.
- 3- Pass the cable through the cable glands and lock the cable at the desired height tightening the set screw. Connect the fixture wires to the ones coming from the remote mounted driver (wires are labeled with + and -). Close the canopy with its cover. Be sure that the safety aircraft cable is re-attached if previously removed.

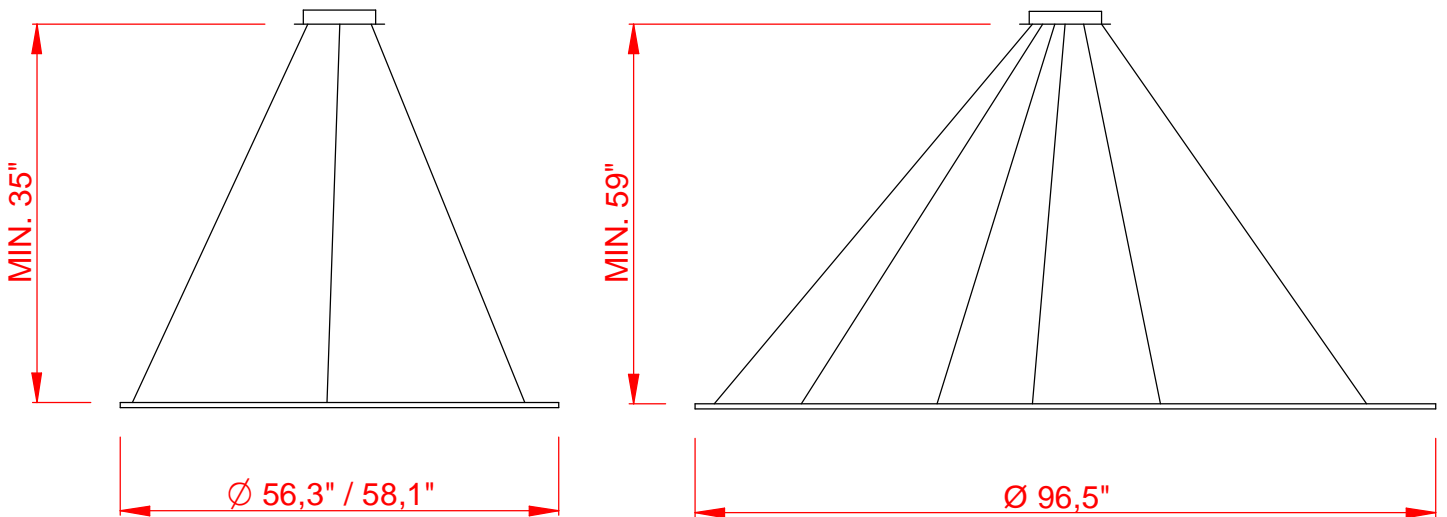
WIRING DIAGRAM

SINGLE FIXTURE



THIS WIRING DIAGRAM IS ILLUSTRATIVE ONLY,
DIFFERENT TOUR SIZES COULD REQUIRE
MORE THAN ONE DRIVER

MINIMUM SUSPENSION HEIGHT FOR 56.3"/58.1"/96.5" DIAMETER TOUR



THIS PRODUCT MUST BE INSTALLED IN ACCORDANCE WITH THE APPLICABLE INSTALLATION CODE BY A PERSON FAMILIAR WITH THE CONSTRUCTION AND OPERATION OF THE PRODUCT AND THE HAZARDS INVOLVED

MOUNTING INSTRUCTIONS

READ ALL OF THESE INSTRUCTIONS BEFORE INSTALLING FIXTURES

- CAUTION: USE ONLY WITH CLASS 2 POWER UNIT
- Keep all of the instructions for future reference
- Turn off power before installing fixture
- Installation is to be performed by a qualified electrician only
- All installations must conform to the National Electrical Code as well as all local jurisdictional codes and regulations
- Any modification of the luminaire will void any and all written or implied warranties
- The manufacture accepts no responsibility for damage to persons or property arising through improper use or installation

Secondary Cable Colours	Pole
Transparent wire with + label	+
Transparent wire with - label	-