



GYPSUM CELL

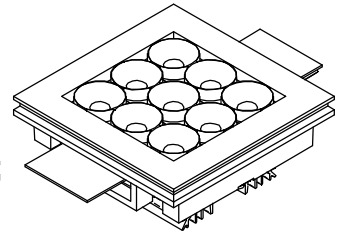
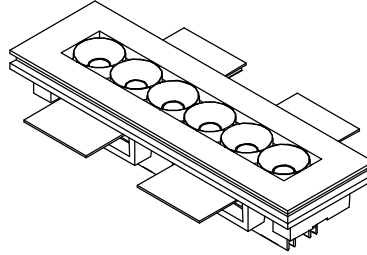
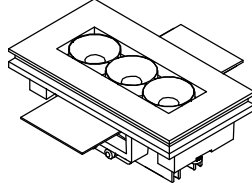
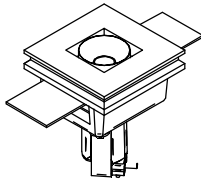
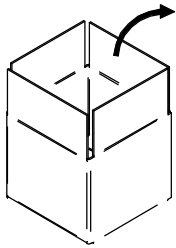


1 LED

3 LED

6 LED

9 LED



WARNING:

INSTALL PRODUCT IN ACCORDANCE WITH LOCAL AND NATIONAL ELECTRICAL CODES BY A QUALIFIED ELECTRICIAN



WARNING:

FAILURE TO COMPLY WITH THE INSTALLATION INSTRUCTIONS MAY RESULT IN DEATH OR SEVERE INJURY.



WARNING:

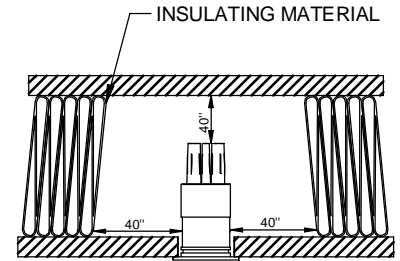
READ ALL SAFETY INSTRUCTIONS INCLUDED WITH LUMINAIRE BEFORE INSTALLING LUMINAIRE. SAVE INSTRUCTIONS FOR FUTURE USE.

CAUTION:

THIS IS AN ELECTRONIC DEVICE. CARE MUST BE TAKEN DURING STORAGE AND HANDLING. STORE IN A CLEAN, COOL AND DRY LOCATION. ELECTROSTATIC DISCHARGE (ESD) CAN HARM THIS PRODUCT. AVOID STATIC DISCHARGE WHILE HANDLING THIS PRODUCT.

CAUTION:

INTER-LUX IS NOT RESPONSIBLE FOR THE STRUCTURAL INTEGRITY OF THE BUILDING TO SUPPORT THE LUMINAIRE. ADDITIONAL BACKING MAY BE REQUIRED.

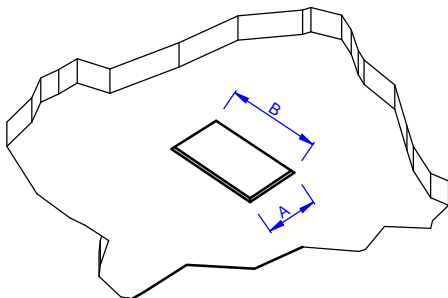


Recommended minimum distance from ceiling / insulating material

Do not cover the product with insulating material.

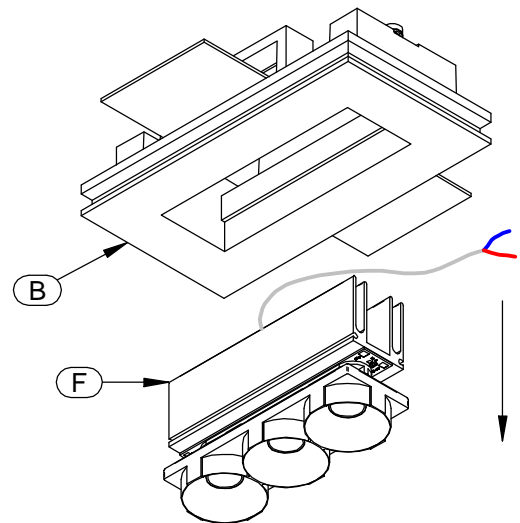
LOCATE AND REVIEW ANY CONSTRUCTION PLANS AND INTER-LUX RECORD DRAWINGS FOR ALL FIXTURE RUNS. IT IS RECOMMENDED TO LOCARE AND LAY OUT ALL COMPONENTS FOR EACH FIXTURE "RUN". A FIXTURE RUN TYPICALLY CONSISTS OF JOINERS, LENGHTS OF HOUSING, AND ENDCAPS. BE SURE TO IDENTIFY ALL CORRECT LENGHTS FOR EACH FIXTURE RUN.

INSTALLATION INSTRUCTIONS

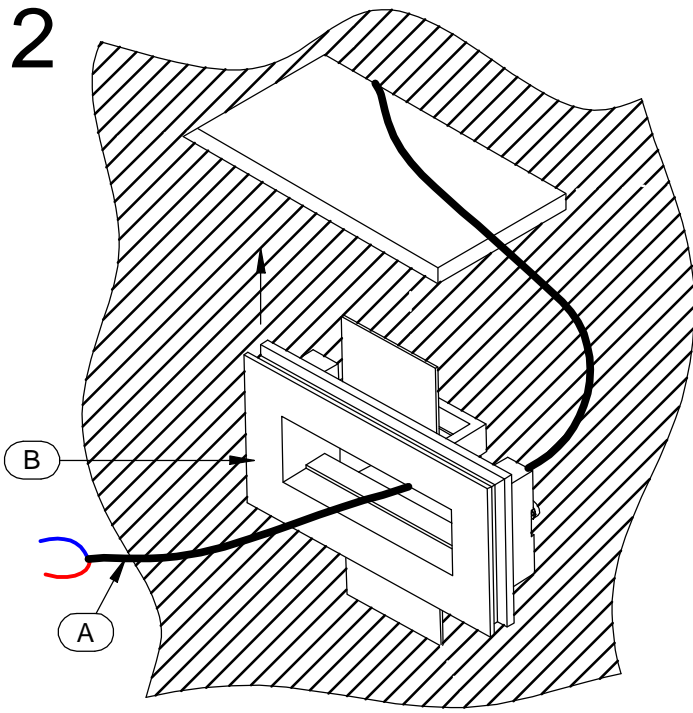


Article	A	B
GYPSUM CELL 1 LED	3.54"	3.54"
GYPSUM CELL 3 LED	3.54"	6.3"
GYPSUM CELL 6 LED	3.54"	10.63"
GYPSUM CELL 9 LED	6.3"	6.3"

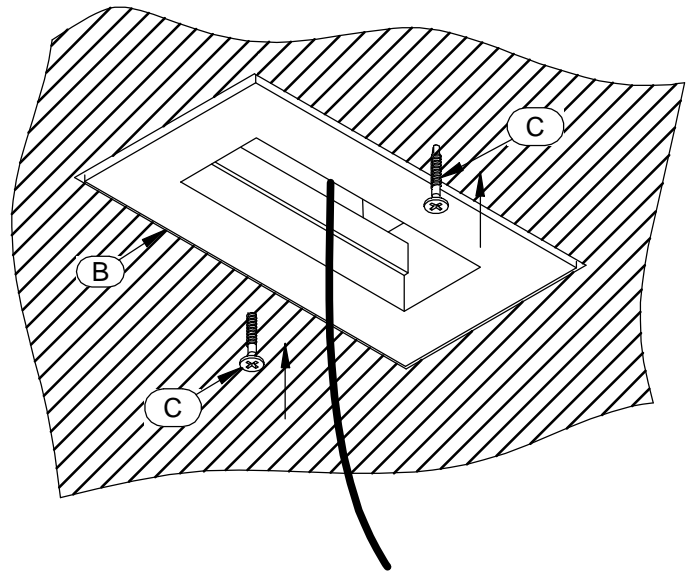
1



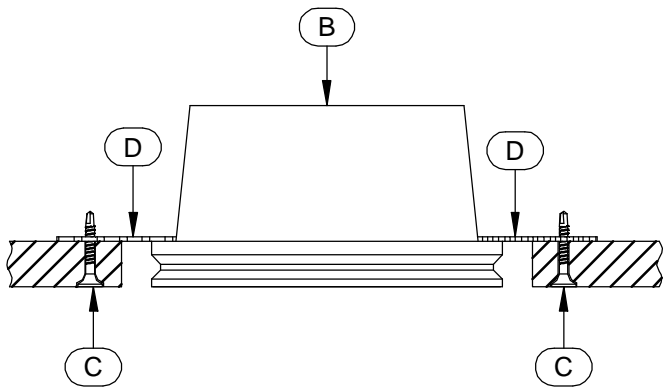
2



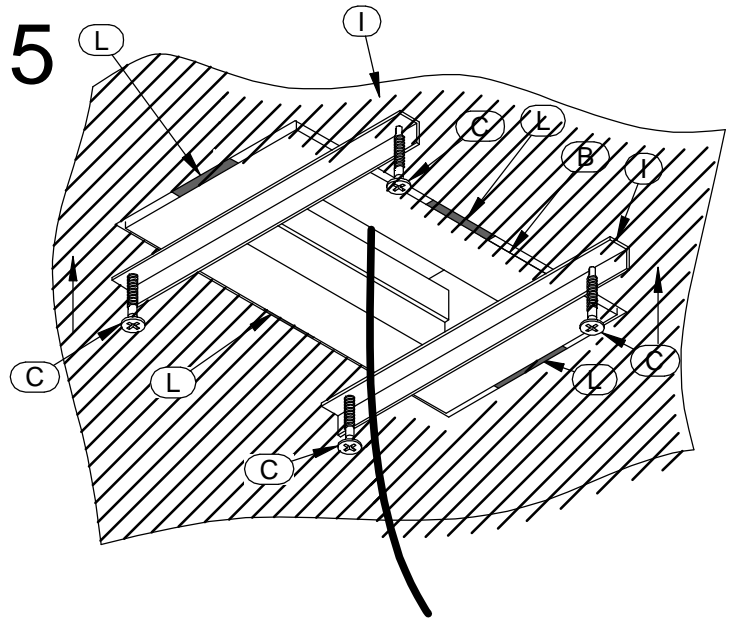
3



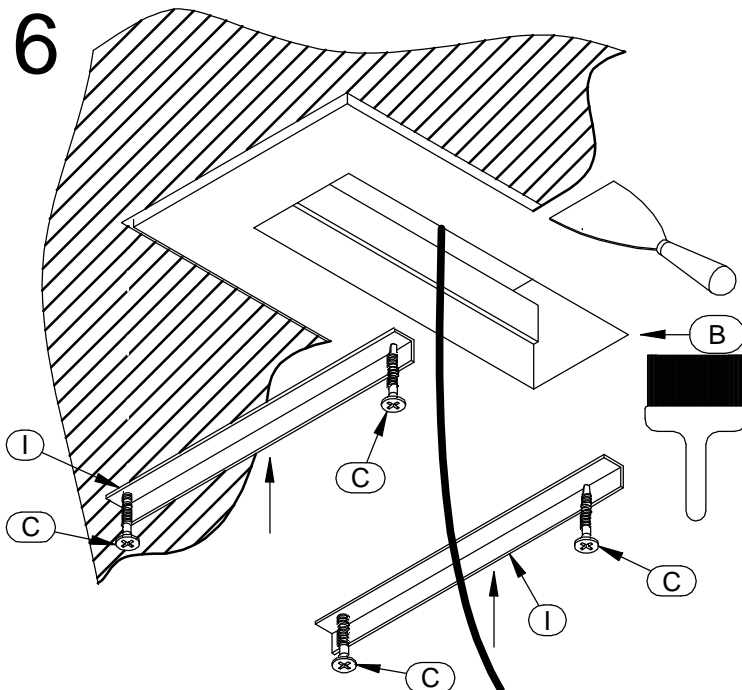
4



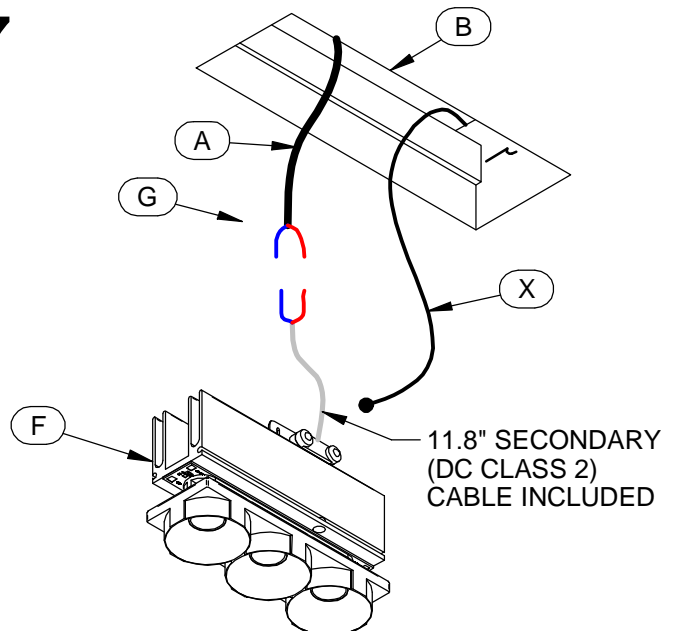
5

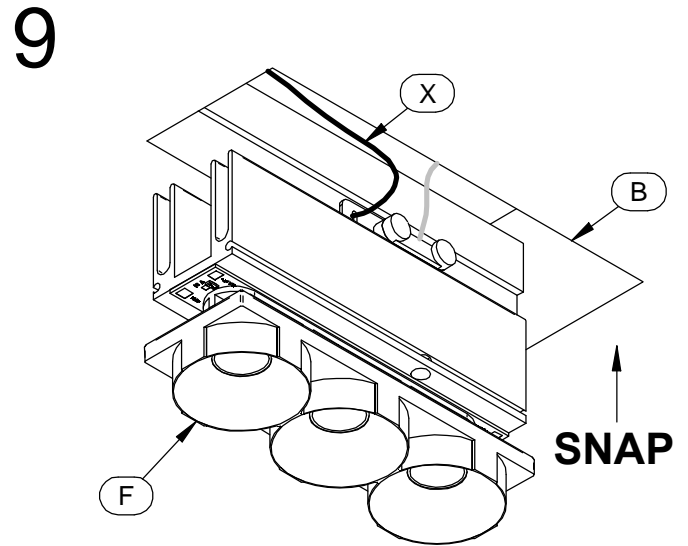
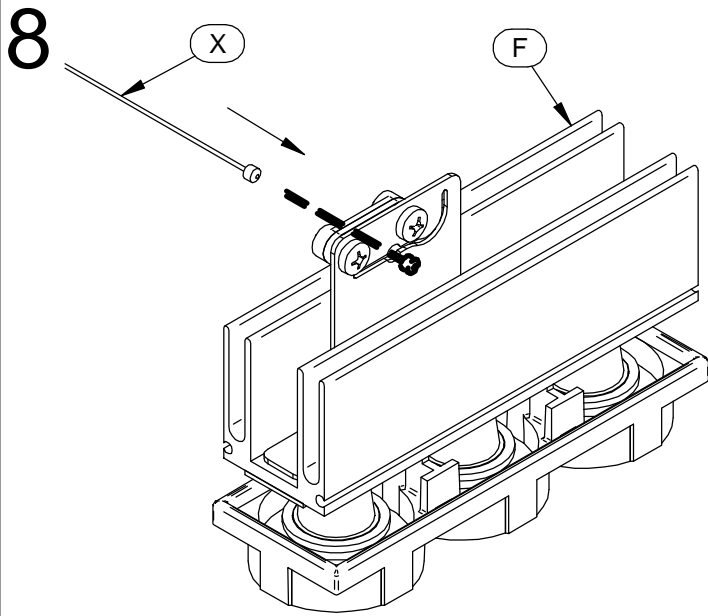


6



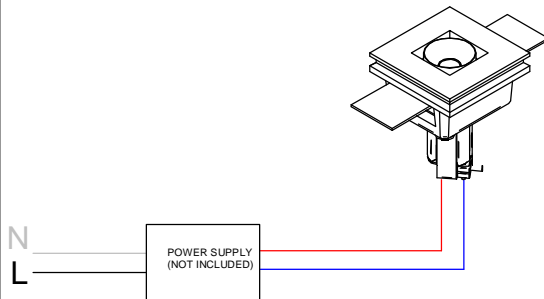
7



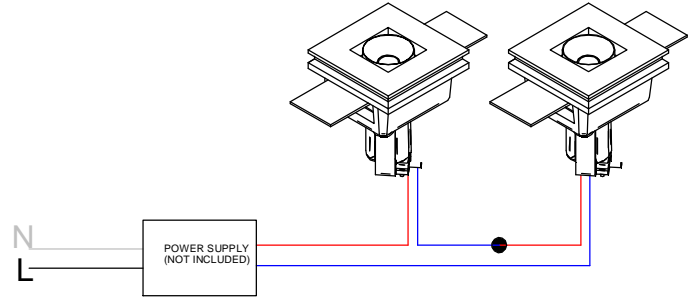


WIRING DIAGRAM

SINGLE FIXTURE



MULTIPLE FIXTURES WIRED IN SERIES (NOT FOR 9 LED)



THIS PRODUCT MUST BE INSTALLED IN ACCORDANCE WITH THE APPLICABLE INSTALLATION CODE BY A PERSON FAMILIAR WITH THE CONSTRUCTION AND OPERATION OF THE PRODUCT AND THE HAZARDS INVOLVED

MOUNTING INSTRUCTIONS

READ ALL OF THESE INSTRUCTIONS BEFORE INSTALLING FIXTURES

- CAUTION: USE ONLY WITH CLASS 2 POWER UNIT
- Keep all of the instructions for future reference
- Turn off power before installing fixture
- Installation is to be performed by a qualified electrician only
- All installations must conform to the National Electrical Code as well as all local jurisdictional codes and regulations
- Any modification of the luminaire will void any and all written or implied warranties
- The manufacture accepts no responsibility for damage to persons or property arising through improper use or installation

INSTALLATION SEQUENCE

- Mount remote driver in accessible well ventilated space
- Cut the opening in the ceiling following the dimension chart.
- Extract the electrified unit (F) out of the Gypsum (B) [1]
- Pass the secondary cable of the power supply (A) through the element (B). Insert the element (B) into the hole [2]
- Fix the element (B) at points corresponding using the two brackets (D), using the included screws (C) [3-4]
- Align the element (B) with the plasterboard using the two included brackets (I). Fix the brackets (I) onto the plasterboard with the included screws (C) and then fix the element (B) with some plaster (L) [5]
- When the element (B) is fixed in place remove the brackets (I). Fill the gap between the element (B) and the plasterboard with plaster (B). Then sand-paper and paint [6]
- Ensure power is off before connecting driver to line voltage
- Connect secondary cable of the Gypsum with the secondary cable of the power supply with appropriate connectors not included [7]
- Insert the head of safety rope (X) into the hole of electrified unit (F) [8]
- Insert the electrified unit (F) into the item (B) [9]
- WARNING - Be sure secondary wiring is connected to driver BEFORE energizing to avoid LED failure
- Energize

Secondary Cable Colours	Pole
Red wire	+
Blue wire	-