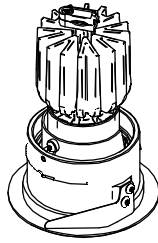
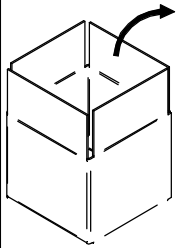
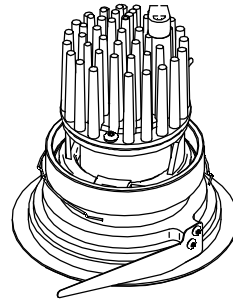




WARP-RJ



8W



15W



WARNING:

INSTALL PRODUCT IN ACCORDANCE WITH LOCAL AND NATIONAL ELECTRICAL CODES BY A QUALIFIED ELECTRICIAN



WARNING:

FAILURE TO COMPLY WITH THE INSTALLATION INSTRUCTIONS MAY RESULT IN DEATH OR SEVERE INJURY.



WARNING:

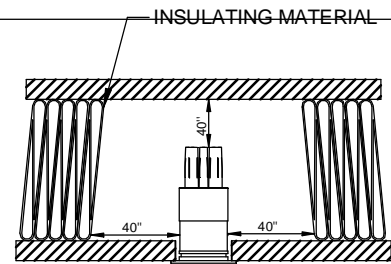
READ ALL SAFETY INSTRUCTIONS INCLUDED WITH LUMINAIRE BEFORE INSTALLING LUMINAIRE. SAVE INSTRUCTIONS FOR FUTURE USE.

CAUTION:

THIS IS AN ELECTRONIC DEVICE. CARE MUST BE TAKEN DURING STORAGE AND HANDLING. STORE IN A CLEAN, COOL AND DRY LOCATION. ELECTROSTATIC DISCHARGE (ESD) CAN HARM THIS PRODUCT. AVOID STATIC DISCHARGE WHILE HANDLING THIS PRODUCT.

CAUTION:

INTER-LUX IS NOT RESPONSIBLE FOR THE STRUCTURAL INTEGRITY OF THE BUILDING TO SUPPORT THE LUMINAIRE. ADDITIONAL BACKING MAY BE REQUIRED.

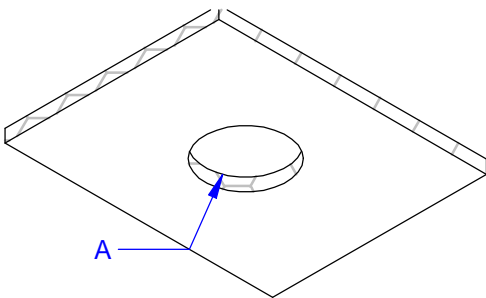


Recommended minimum distance from ceiling / insulating material

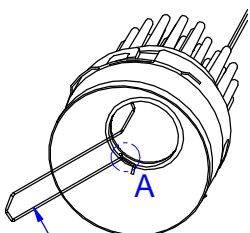
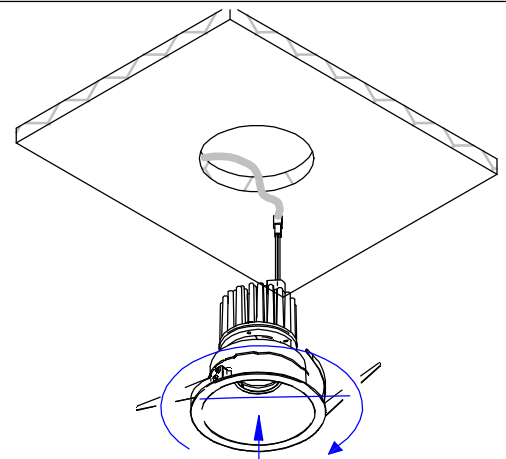
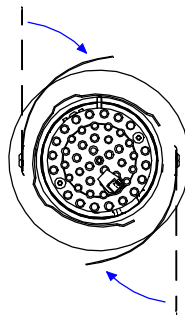
Do not cover the product with insulating material.

LOCATE AND REVIEW ANY CONSTRUCTION PLANS AND INTER-LUX RECORD DRAWINGS FOR ALL FIXTURE RUNS. IT IS RECOMMENDED TO LOCARE AND LAY OUT ALL COMPONENTS FOR EACH FIXTURE "RUN". A FIXTURE RUN TYPICALLY CONSISTS OF JOINERS, LENGTHS OF HOUSING, AND ENDCAPS. BE SURE TO IDENTIFY ALL CORRECT LENGTHS FOR EACH FIXTURE RUN.

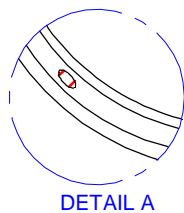
INSTALLATION INSTRUCTIONS



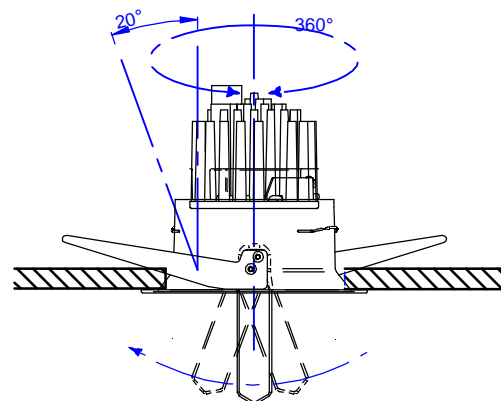
Art.	Ø A	h
WARP-RJ (8W)	2.76"	0.08"-0.8"
WARP-RJ (15W)	4.13"-4.25"	0.08"-0.8"



TOOL INCLUDED

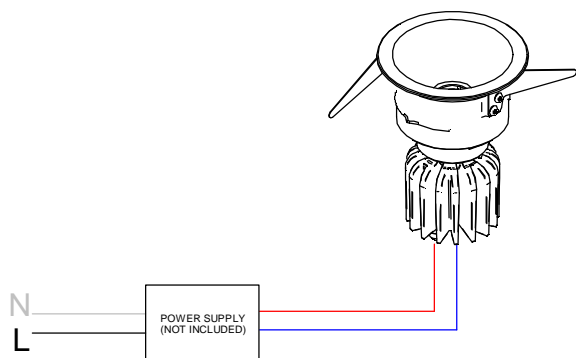


DETAIL A

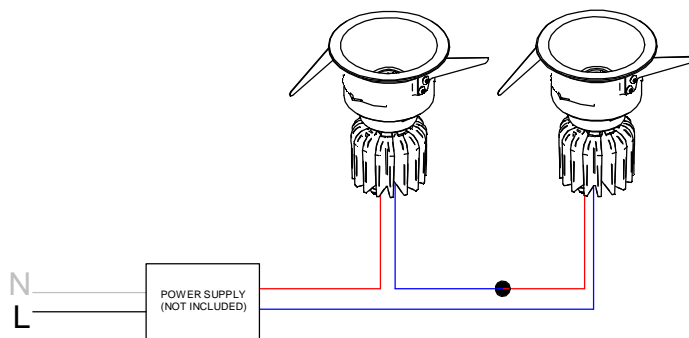


WIRING DIAGRAM

SINGLE FIXTURE



MULTIPLE FIXTURES WIRED IN SERIES (8W ONLY)



THIS PRODUCT MUST BE INSTALLED IN ACCORDANCE WITH THE APPLICABLE INSTALLATION CODE BY A PERSON FAMILIAR WITH THE CONSTRUCTION AND OPERATION OF THE PRODUCT AND THE HAZARDS INVOLVED

MOUNTING INSTRUCTIONS

READ ALL OF THESE INSTRUCTIONS BEFORE INSTALLING FIXTURES

- CAUTION: USE ONLY WITH CLASS 2 POWER UNIT
- Keep all of the instructions for future reference
- Turn off power before installing fixture
- Installation is to be performed by a qualified electrician only
- All installations must conform to the National Electrical Code as well as all local jurisdictional codes and regulations
- Any modification of the luminaire will void any and all written or implied warranties
- The manufacture accepts no responsibility for damage to persons or property arising through improper use or installation

INSTALLATION SEQUENCE

- Cut correct size opening in ceiling
- Mount remote driver in accessible well ventilated space
- Ensure power is off before connecting driver to line voltage
- Connect secondary wiring to fixture wiring
- Press the springs and insert the article into the ceiling opening
- WARNING: Be sure secondary wiring is connected to driver BEFORE energizing to avoid LED failure
- Energize

Secondary Cable Colours	Pole
Red wire	+
Blue wire	-