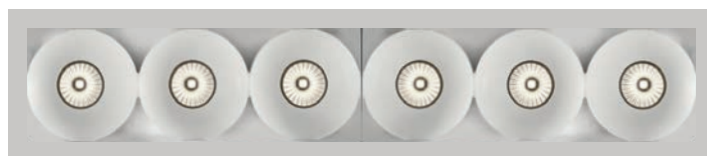
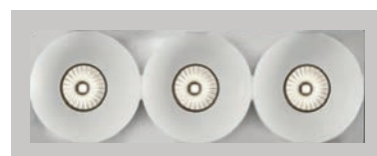
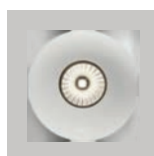
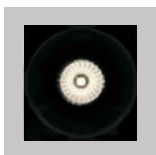
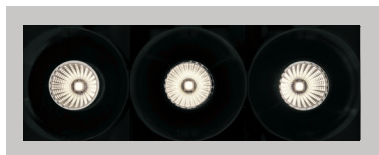
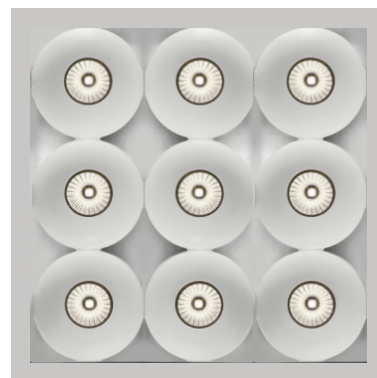



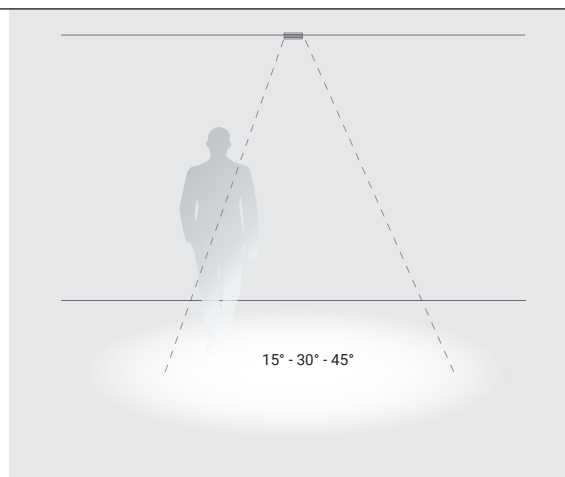
cell range



	1 x powerLED	3 x powerLEDs	6 x powerLEDs	9 x powerLEDs
Gypsum_Cell	3 x 3 in	5.9 x 3 in	10.2 x 3 in	5.9 x 5.9 in
Cell	2 x 2 in	4.7 x 2 in	8.7 x 2 in	4.7 x 4.7 in
Power	2 W 4 W	6 W 12 W	10 W	18 W
Finish	<input type="checkbox"/> <input type="checkbox"/>	<input type="checkbox"/> <input type="checkbox"/>	<input type="checkbox"/> <input type="checkbox"/>	<input type="checkbox"/> <input type="checkbox"/>
CRI 92 CRI 80	2700K 3000K 3500K 4000K	2700K 3000K 3500K 4000K	2700K 3000K 3500K 4000K	2700K 3000K 3500K 4000K
Optics	Spot Medium Flood Flood	Spot Medium Flood Flood	Spot Medium Flood Flood	Spot Medium Flood Flood
Driver	On/Off 0-10V	On/Off 0-10V	On/Off 0-10V	On/Off 0-10V
	3.4 x 3.4 in (Gypsum_Cell) 1.6 x 1.6 in (Cell)	6.3 x 3.5 in (Gypsum_Cell) 4.5 x 1.6 in (Cell)	10.6 x 3.5 in (Gypsum_Cell) 8.5 x 1.6 in (Cell)	6.3 x 6.3 in (Gypsum_Cell) 4.5 x 4.5 in (Cell)

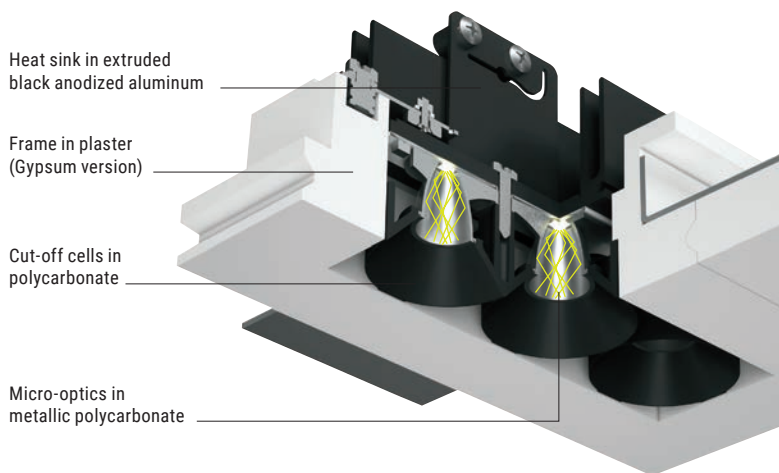
Visual comfort

The circular-shaped cut-off cells represent the interface between the optics and the ceiling; thanks to the particular angle, they can control luminance in combination with the reflectors guaranteeing a professional result.



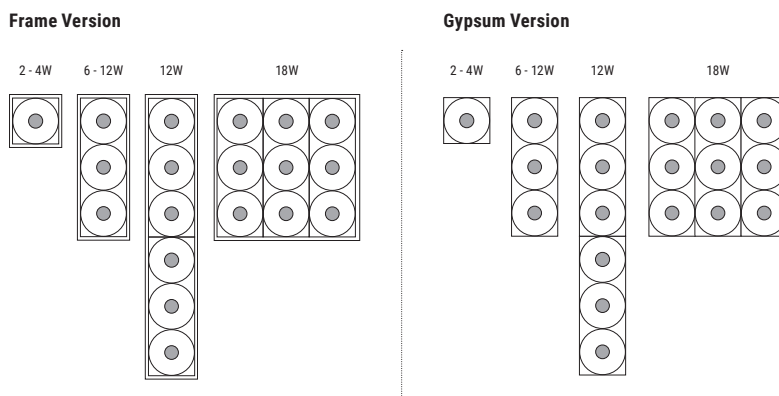
Micro-optics CELL

The particular wire mesh with convex faces that characterises the surface of the micro reflectors is capable of controlling each light beam defining an emission available in 15°, 30° and 45°.



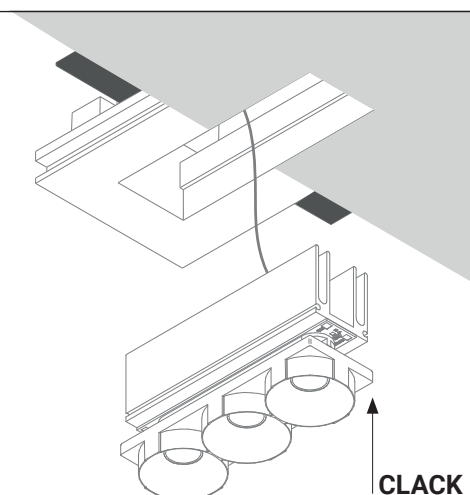
Extensiveness of the range of products

The Cell and Gypsum_Cell range of products now come with new versions, conceived to meet several lighting technology needs. The new one-cell single recessed casing joins the three and six-cell options arranged linearly and squared with nine modules. The one and three-cell versions with doubled power and more performing, complete the range of products.

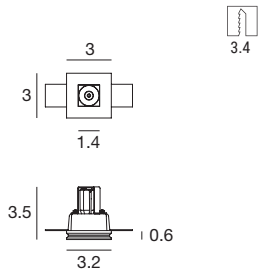
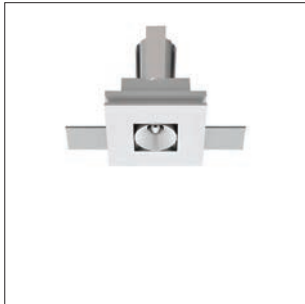


Quick installation

The Gypsum_Cell comes with a recessed casing with plaster frame, conceived for installation on dropped ceiling. The magnet-equipped quick coupling system allows to easily position the light units that can be painted, for full integration with the architecture.



Gypsum Cell | Downlights | powerLED | Driver remote | 2W 630mA



CRI 80*/92

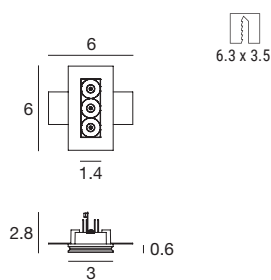
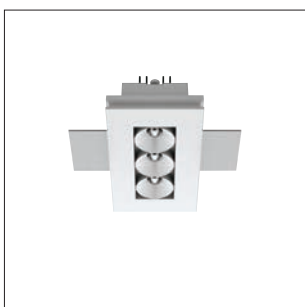
White	E64630	2700 K	157 lm	M	Spot	15
Black	E64631	3000 K	179 lm	W	Medium Flood	30
		3500 K	179 lm	T	Flood	45
		4000 K*	249 lm	N		

Power supply options (remote only)

ECO30W-630 0-10V EldoLED ECOdrive 30W for 1-10 fixtures	SOLO50W-630 0-10V EldoLED SOLOdrive 50W for 1-16 fixtures	SOLO100W-630 0-10V EldoLED SOLOdrive 100 for 1-32 fixtures
---	---	--



Gypsum Cell | Downlights | 3 x powerLEDs 2W | Driver remote | 6W 630mA



CRI 80*/92

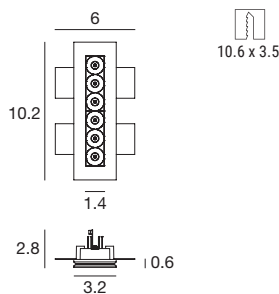
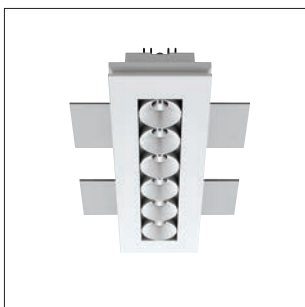
White	E64547	2700 K	471 lm	M	Spot	15
Black	E64546	3000 K	537 lm	W	Medium Flood	30
		3500 K	537 lm	T	Flood	45
		4000 K*	747 lm	N		

Power supply options (remote only)

ECO30W-630 0-10V EldoLED ECOdrive 30W for 1-3 fixtures	SOLO50W-630 0-10V EldoLED SOLOdrive 50W for 1-6 fixtures	SOLO100W-630 0-10V EldoLED SOLOdrive 100W for 1-12 fixtures
--	--	--



Gypsum Cell | Downlights | 6 x powerLEDs 2W | Driver remote | 12W 630mA



CRI 80*/92

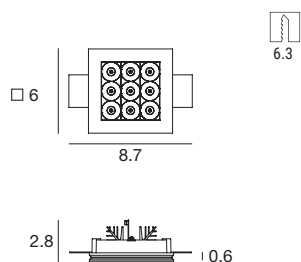
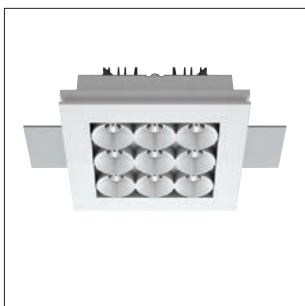
White	E64549	2700 K	942 lm	M	Spot	15
Black	E64548	3000 K	1074 lm	W	Medium Flood	30
		3500 K	1074 lm	T	Flood	45
		4000 K*	1494 lm	N		

Power supply options (remote only)

ECO30W-630 0-10V EldoLED ECOdrive 30W for 1-2 fixtures	SOLO50W-630 0-10V EldoLED SOLOdrive 50W for 1-2 fixtures	SOLO100W-630 0-10V EldoLED SOLOdrive 100W for 1-4 fixtures
--	--	---



Gypsum Cell | Downlights | 9 x powerLEDs 2W | Driver remote | 18W 630mA



CRI 80*/92

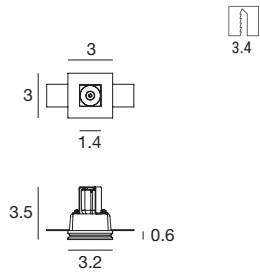
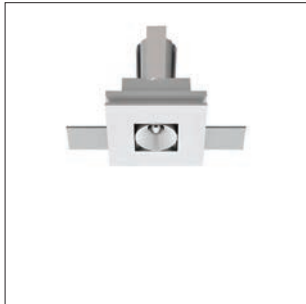
White	E64551	2700 K	1413 lm	M	Spot	15
Black	E64550	3000 K	1611 lm	W	Medium Flood	30
		3500 K	1611 lm	T	Flood	45
		4000 K*	2241 lm	N		

Power supply options (remote only)

ECO30W-630 0-10V EldoLED ECOdrive 30W for 1 fixture	SOLO50W-630 0-10V EldoLED SOLOdrive 50W for 1-2 fixtures	SOLO100W-630 0-10V EldoLED SOLOdrive 100W for 1-4 fixtures
---	--	---



Gypsum Cell | Downlights | powerLED | Driver remote | 4W 350mA



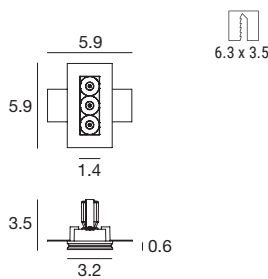
CRI 80

White E64632	2700 K	490 lm	M	Spot	15
Black E64633	3000 K	490 lm	W	Medium Flood	30
	3500 K	490 lm	T	Flood	45
	4000 K	529 lm	N		

Power supply options (remote only)

ECO30W-350 0-10V EldoLED ECOdrive 30W for 1-3 fixtures	SOLO50W-350 0-10V EldoLED SOLOdrive 50W for 1-6 fixtures	SOLO100W-350 0-10V EldoLED SOLOdrive 100W for 1-12 fixtures
--	--	--

Gypsum Cell | Downlights | 3 x powerLEDs 4W | Driver remote | 12W 350mA



CRI 80

White E64637	2700 K	1470 lm	M	Spot	15
Black E64638	3000 K	1470 lm	W	Medium Flood	30
	3500 K	1470 lm	T	Flood	45
	4000 K	1587 lm	N		

Power supply options (remote only)

ECO30W-350 0-10V EldoLED ECOdrive 30W for 1 fixtures	SOLO50W-350 0-10V EldoLED SOLOdrive 50W for 1-2 fixtures	SOLO100W-350 0-10V EldoLED SOLOdrive 100W for 1-4 fixtures
--	--	---

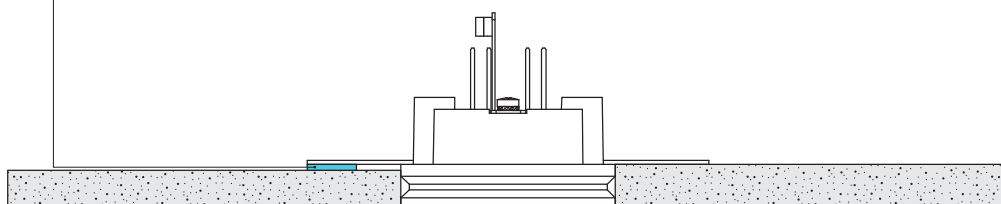
Accessories



Spacer

E60830

3.9 x 0.8 in



STANDARD THICKNESS = 0.5 in

SPECIAL THICKNESS ≤ 0.6 in