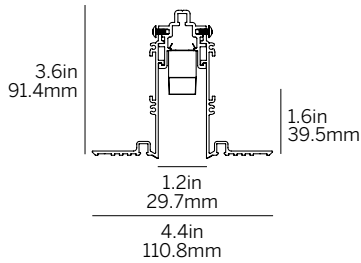
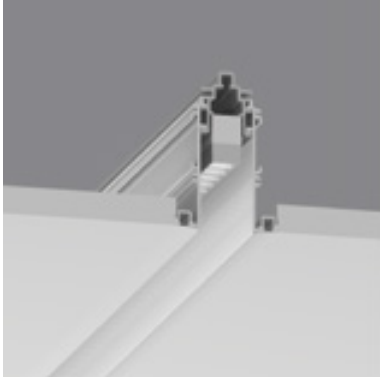
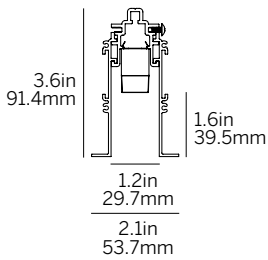


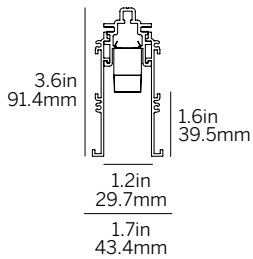
20 Linear Recessed Regressed Louver



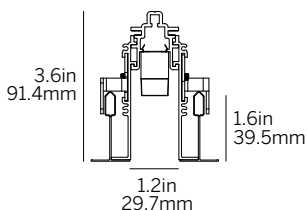
Recessed Plaster Trim (RPT)



Recessed Bezel Trim (RBT)



Recessed Return Trim (RRT)



Recessed Grid Trim (RGT9/RGT15)

Ordering Information

Model	Fixation	Pattern	Length	Power ¹	CRI/CCT ²	Driver ³	Lens	Finish	Options
WG-20LRR	RPT RBT RRT RGT9 RGT15	S	A	L M H	927 930 935 940	X S D010 L3DAE L3DOE DFPN EL96	LL45B LL45W	W (std) B S F	BEC FEC PEC

Luminaire

- Continuous, Louver regressed to the ceiling plane.
- Field replaceable LED boards.
- 90+ CRI, 3 steps MacAdam.
- Specify housing to nearest .25", light insert delivered in 4.74" increments.
- Supplied with 4' class 2 plenum rated feed cable per fixture lengths.

Fixation

- RPT = Recessed plaster trim
- RBT = Recessed bezel trim
- RRT = Recessed return trim
- RGT9 = Recessed grid trim 9/16"
- RGT15 = Recessed grid trim 15/16"

Pattern

- S = Straight run

Length

- A = specify inches to the nearest 0.25" (i.e. 72.25"), light insert delivered in 4.74" increments.

Power¹

- L = 3W/ft low power (24V)
- M = 6W/ft mid power (24V)
- H = 10W/ft high power (24V)

CRI/CCT²

- 90+ CRI minimum (Low/Mid/High Power)
- 927 = 2700K (53/105/185 lm/ft)
 - 930 = 3000K, (57/115/201 lm/ft)
 - 935 = 3500K, (68/136/239 lm/ft)
 - 940 = 4000K, (81/162/283 lm/ft)

Driver (remote)³

- X = No driver, ordered separately
- S = Standard driver 120-277V
- D010 = Osram, 10%, 0-10V dimming, 120-277V
- L3DAE = Lutron Hi-lume 1% EcoSystem, 120-277V
- L3DOE = Lutron Hi-lume Premier 0.1% EcoSystem, 120-277V
- DFPN = Lutron Forward Phase 1%, 120VAC
- EL96 = Osram / EldoLED, 24V, 1% 0-10V Dimming (1"x3"x23" driver enclosure)

Lens

- LL45B = Linear louver black
- LL45W = Linear louver white

Finish

- W = White, 15% gloss, RAL9010 (standard)
- B = Black, 15% gloss, Tiger Drylac 44/90053
- S = Silver, 15% gloss, Tiger Drylac 49/90500
- F = Custom finished trim, specify RAL

Options

- BEC = Bezel end caps
- FEC = Flat end caps
- PEC = Plaster-in end caps

Emergency (remote only)

- Emergency LED driver available, order separately.

¹ Wattage shown does not include power supplies/drivers.

² Delivered lumens with black louver shown.

³ Remote power supply required. See power supply page for details.