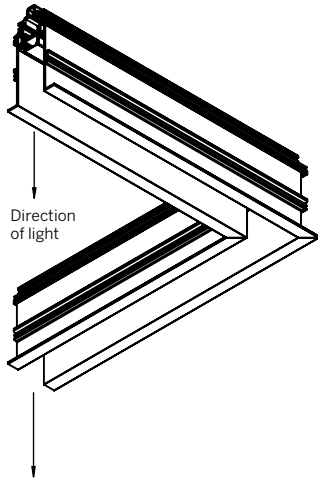


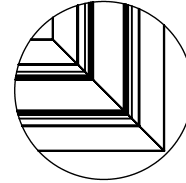
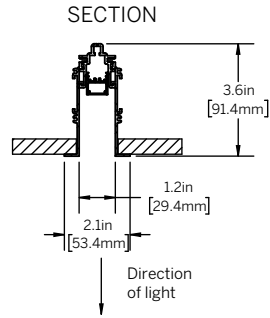
20 Linear Recessed Regressed

PATTERN CORNER Recessed Bezel Trim

WG-20LRR-RBT-P...



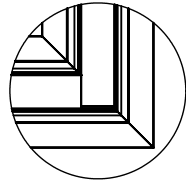
Minimum Angle 45°
Maximum Angle 180°



Mitered / Welded Housing
Mitered Lens (OD, SD, MPL)



Mitered / Welded Housing
Butted Lens (LL45)

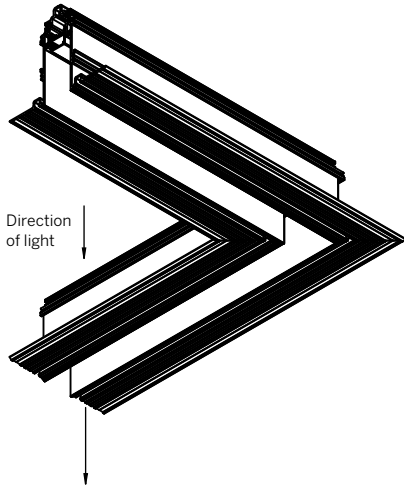


Mitered / Welded Housing
Butted Lens (NL16)

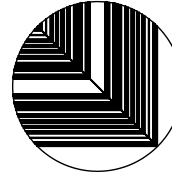
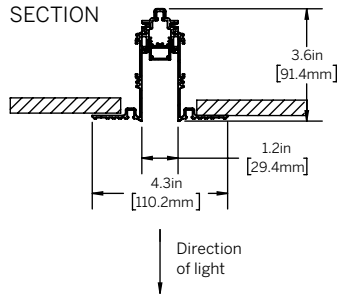
20 Linear Recessed Regressed

PATTERN CORNER Recessed Plaster Trim

WG-20LRR-RPT-P-...



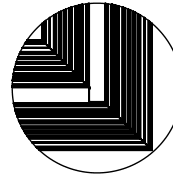
Minimum Angle 45°
Maximum Angle 180°



Mitered / Welded Housing
Mitered Lens (OD, SD, MPL)



Mitered / Welded Housing
Butted Lens (LL45)

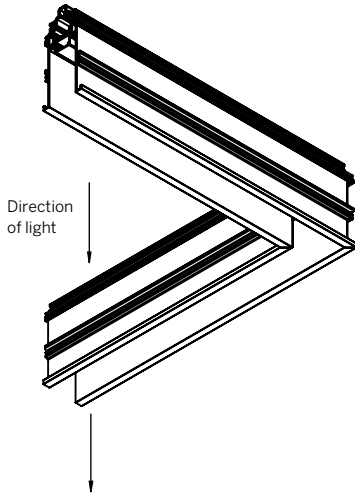


Mitered / Welded Housing
Butted Lens (NL16)

20 Linear Recessed Regressed

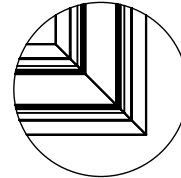
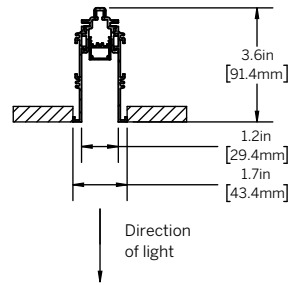
PATTERN CORNER Recessed Return Trim

WG-20LRR-RRT-P-...



Minimum Angle 45°
Maximum Angle 180°

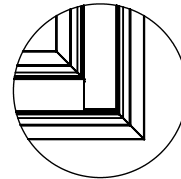
SECTION



Mitered / Welded Housing
Mitered Lens (OD, SD, MPL)



Mitered / Welded Housing
Butted Lens (LL45)

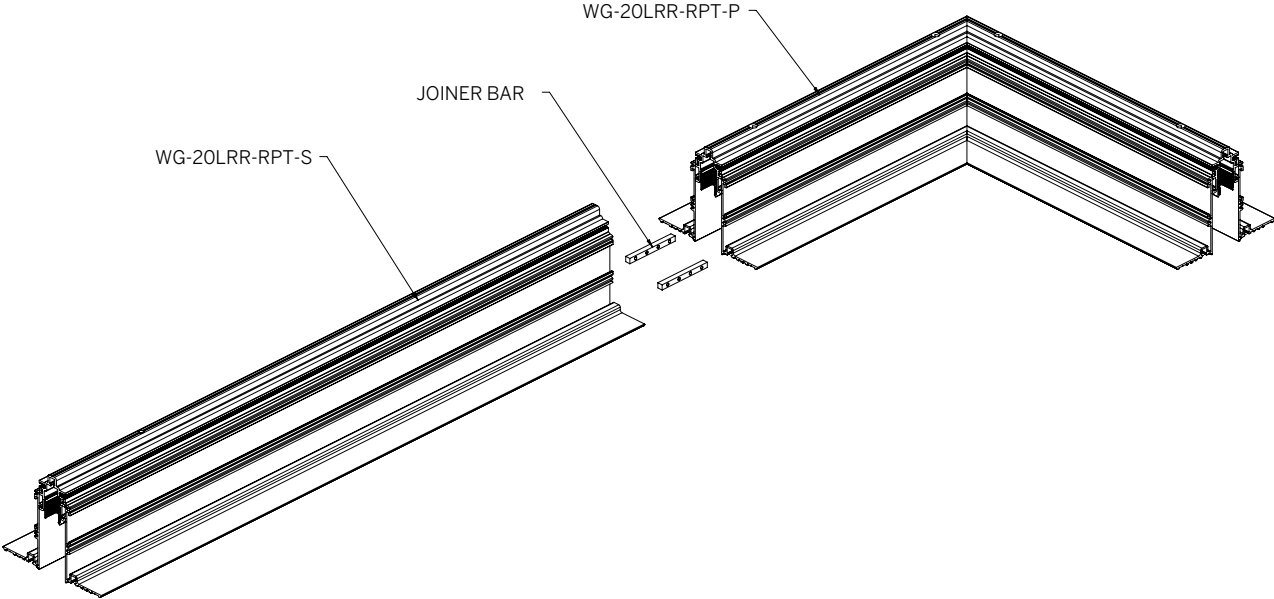


Mitered / Welded Housing
Butted Lens (NL16)

20 Linear Recessed Regressed



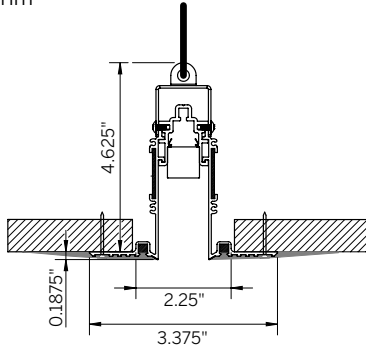
CORNER + STRAIGHT RUN CONNECTIONS



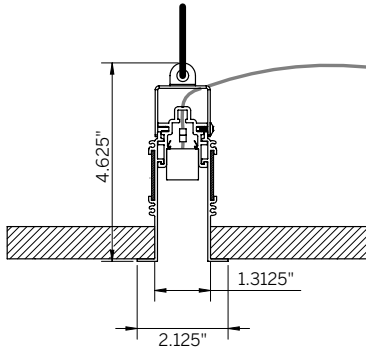
20 Linear Recessed Regressed

MOUNTING

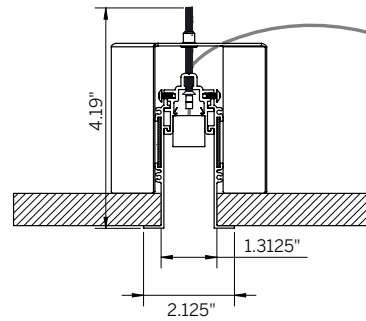
Recessed Plaster Trim



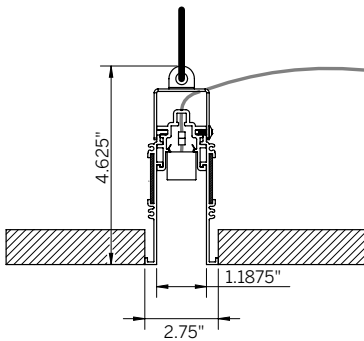
Recessed Bezel Trim (Mounting Bracket)



Recessed Bezel Trim (Rotating Bracket)



Recessed Return Trim



Recessed Grid Trim

