

# 20 Linear Perimeter Regressed and Wallgraze

A perimeter pocket system with regressed light source for continuous illumination of adjacent surfaces, available in any dimension to fully integrate with the architecture

- Perimeter lighting system with regressed light source for general illumination and feature wall grazing.
- Recessed Luminaire allows the finished wall to continue above the ceiling plane for full wall illumination.
- *Soft-graze* option to control textured wall contrast and accommodate feature wall thickness.
- Trimless and bezel trim for seamless integration into any drywall, wood and metal surfaces.
- Straight runs and configurations with factory corners in exact lengths as specified.
- Removable light source sub assembly for ease of installation and maintenance.
- High efficiency linear LED in a range of outputs, including static white, tunable white, warm dim and RGBW.
- Remote driver, low voltage wiring.
- Lengths and angles factory cut to exact field dimensions.
- Mitered and welded corners available with continuous illumination.
- Made in the USA.

**Housing** Precision extruded aluminum for true dimensions and tolerances  
Integration into any ceiling type  
All low voltage connections made in the housing  
Luminaires snaps into the housing without tools  
Finishes: white, black, silver and custom

**Integration** Fixation into gypsum, hard ceilings and all grid ceiling types

**Distribution** Lenses and louvers for general and grazing applications

**LED** >90 CRI, 3-Step MacAdam, 2700-4000K static white  
1.5W - 10W per foot, 180 nominal lumens per watt average, constant current  
Tunable white 2200-4000K, 80 nominal lumens per watt average  
Warm Dim to emulate incandescent when dimming; 75 nominal lumens per watt average  
RGBW, 50 nominal lumens per watt  
L70 (TM21 Projected 85C) Static White / Tunable White = 72,000 hours, RGBW = 50,000 hours, WD = 36,000 hours

**Lens** OD - Opal Diffuser provides even, continuous line of light and general illumination  
SD - Satin Clear Diffuser provides high efficiency soft edge beam, general illumination  
MPL - Micro-prismatic lens provides lower brightness, general illumination  
NL16 - Narrow Lens optic provides narrow beam for wall grazing applications  
LL45 - 45 Degree Louver in white, black or satin provides extreme low brightness

**Driver** Remote driver  
Compatible with quality constant current (Static White / Tunable White) and constant voltage (WD / RGBW) drivers

**Connectivity** POE  
Wireless

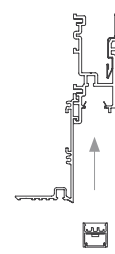
**Weight** 2lbs per foot (20LPR); 3lbs per foot (20LPRSG)

**Operating Temp** Suitable for operation in maximum ambient temperature of 35C (95F)

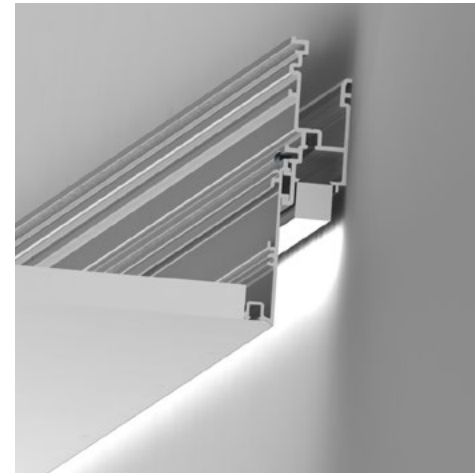
**Warranty** 5-year Limited (see complete company warranty information)

**Certifications** ETL and ETL-C for dry and damp location, CE

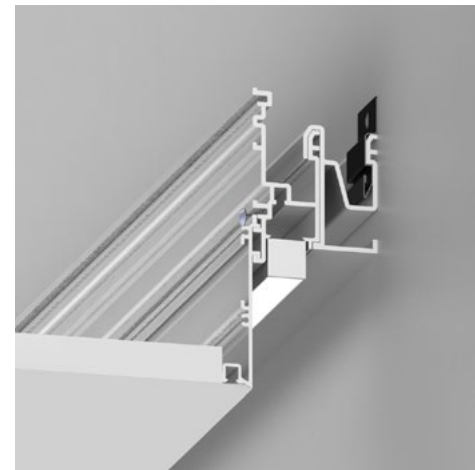
**Voltages** Low Voltage Fixture / 120-277VAC Driver (remote)



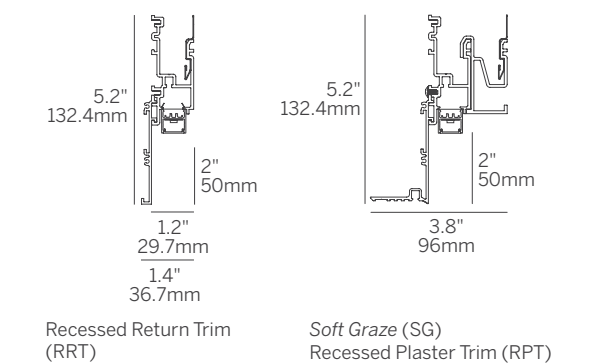
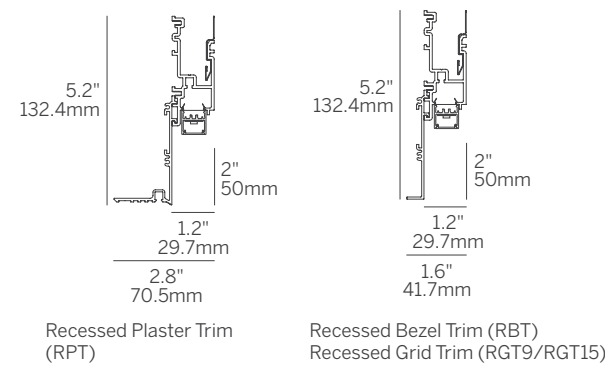
technical information



Recessed Plaster Trim (RPT)



Soft Graze (SG) Recessed Plaster Trim (RPT)



# 20 Linear Perimeter Regressed and Wallgraze

Model	Fixation	Pattern	Length	Power <sup>2</sup>	CRI/CCT <sup>3</sup>	Driver <sup>5</sup>	Lens	Finish <sup>7</sup>	Options
WG-20LPR WG-20LPRSG	RPT RBT RRT RGT9 RGT15	S PI <sup>1</sup> PO <sup>1</sup> PZ <sup>1</sup>	A A x B A x B x C A x B x A x B	P0 P1 P2 P3	927 930 935 940 TW <sup>4</sup>	E1 L1 POE BT DALI TQ	OD (std) SD MPL NL16 LL45B <sup>6</sup> LL45W <sup>6</sup> LL45S <sup>6</sup>	W (std) B S F	BEC FEC PEC EM WL <sup>8</sup>
				L M H	WD RGBW	D010 L3DAE L3DOE EL96 DMX			

**Model**

- WG-20LPR = 20 Linear Perimeter Regressed
- WG-20LPRSG = 20 Linear Perimeter Regressed *Soft Graze*

**Fixation**

- RPT = Recessed plastertrim
- RBT = Recessed bezel trim
- RRT = Recessed return trim
- RGT9 = Recessed grid trim 9/16"
- RGT15 = Recessed grid trim 15/16"

**Pattern**

- S = Straight run
- PI = Standard patterns 2, 3, or 4 sided with 90° inside corners on the same plane<sup>1</sup>
- PO = Standard patterns 2, 3 or 4 sided with 90° outside corners on the same plane<sup>1</sup>
- PZ = Non-standard patterns and/or corners other than 90°; consult factory<sup>1</sup>

**Length**

- A, B, C = specify inches to the nearest 0.25" (i.e. 72.25")  
For patterns specify each length (i.e. 2 sided: A x B = 72.25" x 48"; 3 sided: A x B x C; 4 sided: A x B x A x B)
- For 2 and 4 foot fixtures to fit ceiling grids specify 24" and 48" lengths

**Power<sup>2</sup>**

- P0 = 1.5 W/ft
- P1 = 3 W/ft
- P2 = 6 W/ft
- P3 = 10 W/ft
- L = 2.7 W/ft WD low power (24V)
- M = 5.5 W/ft WD medium power (24V) [RGBW 7.6 W/ft]
- H = 8W/ft WD high power (24V)

**CRI / CCT (90+ CRI minimum)<sup>3</sup>**

- 927 = 2700K
- 930 = 3000K
- 935 = 3500K
- 940 = 4000K
- TW = Tunable White 2200K - 4000K<sup>4</sup>
- WD = Warm Dim 1800K-3000K
- RGBW = 3000K White

Whitegoods reserves the right to change any information without prior notice.

**Notes**

- See pattern specs sheet.
- Wattage shown does not include power supplies/drivers.
- Refer to specs sheet for delivered lumen data for all product configurations.
- TW offered up to P3 (10W/ft) power level.

**Driver (remote)<sup>5</sup>**

- E1 = eldoLED 0.1% dimming, 0-10V (120-277V)
- L1 = Lutron 1% dimming, EcoSystem (120-277V)
- POE = Power over Ethernet
- BT = Wireless CAS - Casambi (Must specify BT with E1 or DALI)
- DALI = eldoLED DALI DT8 0.1% (120-277V)
- TQ = T-series for Lutron Quantum 0.1% (120-277V) [TW only]
- D010 = Osram, 10%, 0-10V dimming, 120-277V [WD only]
- L3DAE = Lutron Hi-lume 1% EcoSystem, 120-277V [WD only]
- L3DOE = Lutron Hi-lume Premier 0.1% EcoSystem, 120-277V (remote) [WD only]
- DMX = Osram + eldoLED 24V, DMX dimming [WD + RGBW Only]

**Lens**

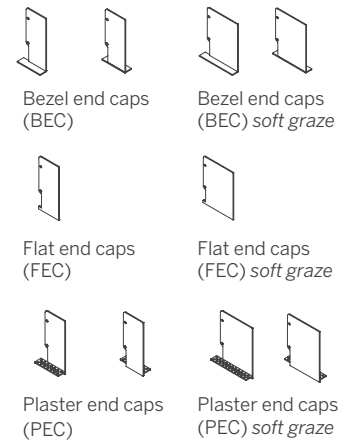
- OD = Satin opal diffuser (standard)
- SD = Satin clear diffuser
- MPL = Micro-prismatic lens
- NL16 = Linear narrow lens, 16°
- LL45B = Linear louver black<sup>6</sup>
- LL45W = Linear louver white<sup>6</sup>
- LL45S = Linear louver satin<sup>6</sup>

**Finish<sup>7</sup>**

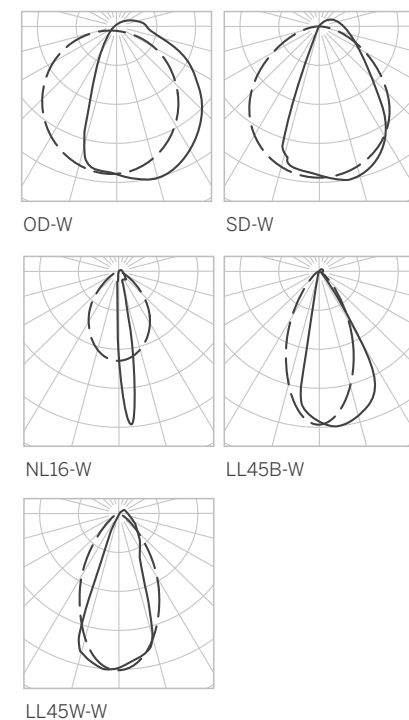
- W = White, 15% gloss, RAL 9010 / Tiger Drylac 009/10120 (standard)
- B = Black, 15% gloss, RAL 9005 / Tiger Drylac 049/90053
- S = Silver, 15% gloss, RAL 9006 / Tiger Drylac 049/90500
- F = Custom finished trim, specify RAL

**Options**

- BEC = Bezel end caps
- FEC = Flat end caps
- PEC = Plaster-in end caps
- EM = Emergency LED driver (remote)
- WL = Wet Location Under Canopy / Cover<sup>8</sup>



**Polar Plots**



- See power supply page for details.
- Louver available in 4.75" increments, straight runs only.
- See Tiger Drylac color chart: inter-lux.com/tiger.
- Wet Location option available for OD / SD / MPL lenses and recessed / surface ceiling applications only.

