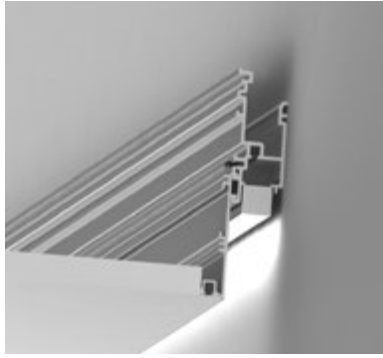
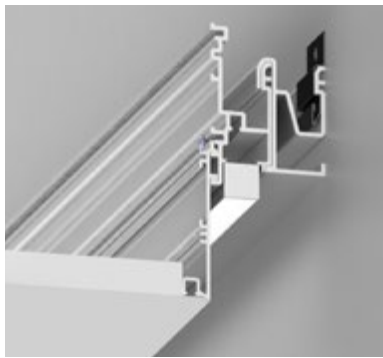


20 Linear Perimeter Regressed

Recessed Plaster Trim (RPT)



Soft Graze (SG) Recessed Plaster Trim (RPT)



Ordering Information

Model	Fixation	Pattern	Length	Power ²	CRI/CCT ³	Driver ⁴	Lens	Finish ⁶	Options
WG-20LPR	RPT	S	A	L	927	X	OD (std)	W (std)	BEC
WG-20LPRSG	RBT	PI ¹	A x B	M	930	S	SD	B	FEC
	RRT	PO ¹	A x B x C	H	935	D010	MPL	S	PEC
	RGT9		A x B x A x B		940	L3DAE	NL16	F	EM
	RGT15				WD	L3DOE	LL45B ⁵		WL ⁷
					RGBW	DFPN	LL45W ⁵		
						EL96	LL45S ⁵		
						DMX			

Luminaire

- Recessed perimeter mount fixture with regressed light for continuous mounting to any desired length (1/4" increments), as well as standard grid multiples.
- Multiple lens options for diffuse, high efficiency and luminous effect.
- *Soft Graze* version with 1" extension.
- Remote driver options (required). Field replaceable LED boards.
- Lengths and angles factory cut to exact field dimensions.
- Supplied with 4' class 2 plenum rated feed cable per fixture lengths.
- 90+ CRI, 3 steps MacAdam.
- L70 (TM21 Projected 85C) Static White 60,000 hours, RGBW 50,000 hours, WD 36,000 hours.
- ETL and ETL-C for dry and damp location.

CRI/CCT (90+ CRI)³

- 927 = 2700K
- 930 = 3000K
- 935 = 3500K
- 940 = 4000K
- WD = Warm Dimming 1800 - 3000K
- RGBW = 3000K White (M power only)

Driver (remote)⁴

- X = No driver, ordered separately
- S = Standard, non-dim driver 120-277V
- D010 = Osram, 10%, 0-10V dimming, 120-277V
- L3DAE = Lutron Hi-lume 1% EcoSystem, 120-277V
- L3DOE = Lutron Hi-lume Premier 0.1% EcoSystem, 120-277V
- DFPN = Lutron Forward Phase 1%, 120VAC
- EL96 = Osram / EdoLED, 24V, 0.1% 0-10V Dimming
- DMX = Osram / EdoLED, 24V, 0.1% DMX Dimming

Fixation

- RPT = Recessed plaster trim
- RBT = Recessed bezel trim
- RRT = Recessed return trim
- RGT9 = Recessed grid trim 9/16"
- RGT15 = Recessed grid trim 15/16"

Pattern

- S = Straight run
- PI = Standard patterns 2, 3 or 4 sided with 90° inside corners on the same plane¹
- PO = Standard patterns 2, 3 or 4 sided with 90° outside corners on the same plane¹

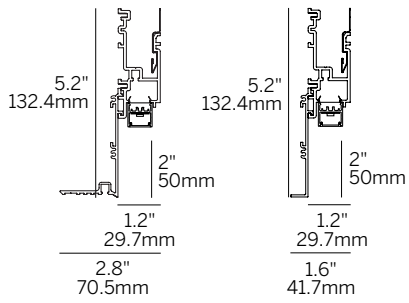
Length

- A, B, C = specify inches to the nearest 0.25" (i.e. 72.25") For patterns specify each length (i.e. 2 sided: A x B = 72.25" x 48"; 3 sided: A x B x C; 4 sided: A x B x A x B)
- For 2 and 4 foot fixtures to fit ceiling grids specify 24" and 48" lengths

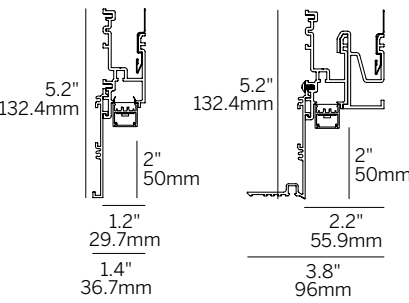
Power²

- L = 3W/ft low power (WD 2.7 W/ft) (24V)
- M = 6W/ft mid power (WD 5.5 W/ft) (24V) (RGBW - 7.6 W/ft)
- H = 10W/ft high power (WD 8 W/ft) (24V)

Lenses/Accessories



Recessed Plaster Trim (RPT) Recessed Bezel Trim (RBT)
Recessed Grid Trim (RGT9/RGT15)



Recessed Return Trim (RRT) Soft Graze (SG) Recessed Plaster Trim (RPT)

Cutout Dimensions
 RPT - 1.75" width / length + 1/4"
 RBT - 1.25" width / length + 1/4"
 RRT - 1.5" width / length + 1/4"
 (Add 1" to width for 20LPRSG)

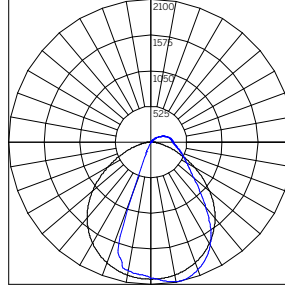


20 Linear Perimeter Regressed

WG-20LPR-...-SD-W

Delivered Lumens Per Foot

		Power			
		L [3 W/ft]	M [6 W/ft]	H [10 W/ft]	RGBW [7.6 W/ft]
CCT	927	234	467	818	-
	930	254	508	889	-
	935	301	604	1056	-
	940	359	717	1255	-
	WD ²	179	372	537	-
	RGBW ³	-	-	-	304
UGR ⁴		32.6	35.2	37	-
Fixture Efficiency = 77%		Lumens Per Watt = 85			



BEAM ANGLE (0-180) = 66.3
BEAM ANGLE (90-270) = 105.9

ILLUMINANCE - 48" SD H 3500K

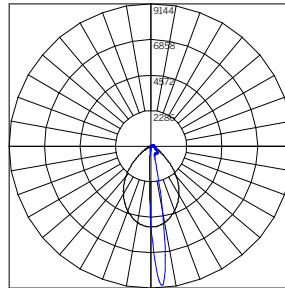
WG-20LPR-...-S-48-H-935-...-SD-W-...¹

Mounting Height [ft]	Illuminance [fc at max cd]	Beam Width [ft]
2	525	2.6
4	131	5.2
6	58	7.8
8	33	10.4
10	21	13.1
12	15	15.7
14	11	18.3
16	8	20.9
18	6	23.5
20	5	26.1

WG-20LPR-...-NL16-W

Delivered Lumens Per Foot

		Power			
		L [3 W/ft]	M [6 W/ft]	H [10 W/ft]	RGBW [7.6 W/ft]
CCT	927	191	382	669	-
	930	208	415	727	-
	935	246	494	863	-
	940	293	586	1026	-
	WD ²	146	304	439	-
	RGBW ³	-	-	-	248
UGR ⁴		23.6	26.1	27.9	-
Fixture Efficiency = 63%		Lumens Per Watt = 69			



BEAM ANGLE (0-180) = 10.6
BEAM ANGLE (90-270) = 78.2

ILLUMINANCE - 48" NL16 H 3500K

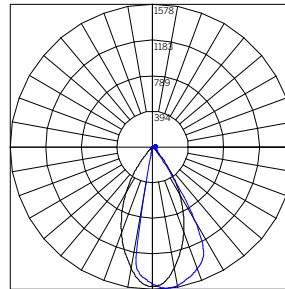
WG-20LPR-...-S-48-H-935-...-NL16-W-...¹

Mounting Height [ft]	Illuminance [fc at max cd]	Beam Width [ft]
2	2286	0.4
4	572	0.7
6	254	1.1
8	143	1.5
10	91	1.9
12	64	2.2
14	47	2.6
16	36	3
18	28	3.3
20	23	3.7

WG-20LPR-...-LL45B-W

Delivered Lumens Per Foot

		Power			
		L [3 W/ft]	M [6 W/ft]	H [10 W/ft]	RGBW [7.6 W/ft]
CCT	927	57	113	199	-
	930	62	123	216	-
	935	73	147	256	-
	940	87	174	305	-
	WD ²	43	90	130	-
	RGBW ³	-	-	-	74
UGR ⁴		16.2	18.8	20.6	-
Fixture Efficiency = 19%		Lumens Per Watt = 21			



BEAM ANGLE (0-180) = 50
BEAM ANGLE (90-270) = 51.4

ILLUMINANCE - 48" LL45B H 3500K

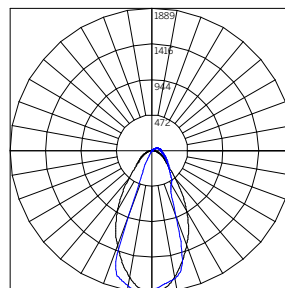
WG-20LPR-...-S-48-H-935-...-LL45B-W-...¹

Mounting Height [ft]	Illuminance [fc at max cd]	Beam Width [ft]
2	395	1.9
4	99	3.7
6	44	5.6
8	25	7.5
10	16	9.3
12	11	11.2
14	8	13.1
16	6	14.9
18	5	16.8
20	4	18.7

WG-20LPR-...-LL45W-W

Delivered Lumens Per Foot

		Power			
		L [3 W/ft]	M [6 W/ft]	H [10 W/ft]	RGBW [7.6 W/ft]
CCT	927	107	213	374	-
	930	116	232	406	-
	935	138	276	482	-
	940	164	328	573	-
	WD ²	82	170	245	-
	RGBW ³	-	-	-	139
UGR ⁴		27.8	30.4	32.2	-
Fixture Efficiency = 35%		Lumens Per Watt = 39			



BEAM ANGLE (0-180) = 39.9
BEAM ANGLE (90-270) = 59.9

ILLUMINANCE - 48" LL45W H 3500K

WG-20LPR-...-S-48-H-935-...-LL45W-W-...¹

Mounting Height [ft]	Illuminance [fc at max cd]	Beam Width [ft]
2	472	1.5
4	118	2.9
6	52	4.4
8	30	5.8
10	19	7.3
12	13	8.7
14	10	10.2
16	7	11.6
18	6	13.1
20	5	14.5

Power Multiplier				
	L [3 W/ft]	M [6 W/ft]	H [10 W/ft]	RGBW [7.6 W/ft]
9XX/RGBW	0.29	0.57	1.00	0.29
WD	0.17	0.35	0.51	-

CCT Multiplier				
	927	930	935	940
	0.77	0.84	1.00	1.19

- 1 Polar Plot and Cone of Light are applicable to part number noted; use Multiplication Factor table to approximate other models or refer to online photometry.
- 2 WD lumen data at maximum output (3000K).
- 3 RGBW lumen data at maximum output with 3000K White LED.
- 4 UGR value noted is the maximum UGR (crosswise) with 935 LEDs / 48" length.