



WARNING:
INSTALL PRODUCT IN ACCORDANCE WITH LOCAL AND NATIONAL ELECTRICAL CODES BY A QUALIFIED ELECTRICIAN OR ELECTRICAL CONTRACTOR.



WARNING:
FAILURE TO COMPLY WITH THE INSTALLATION INSTRUCTIONS MAY RESULT IN DEATH OR SERIOUS INJURY



WARNING:
READ ALL SAFETY INSTRUCTIONS INCLUDED WITH LUMINAIRE BEFORE INSTALLING LUMINAIRE.

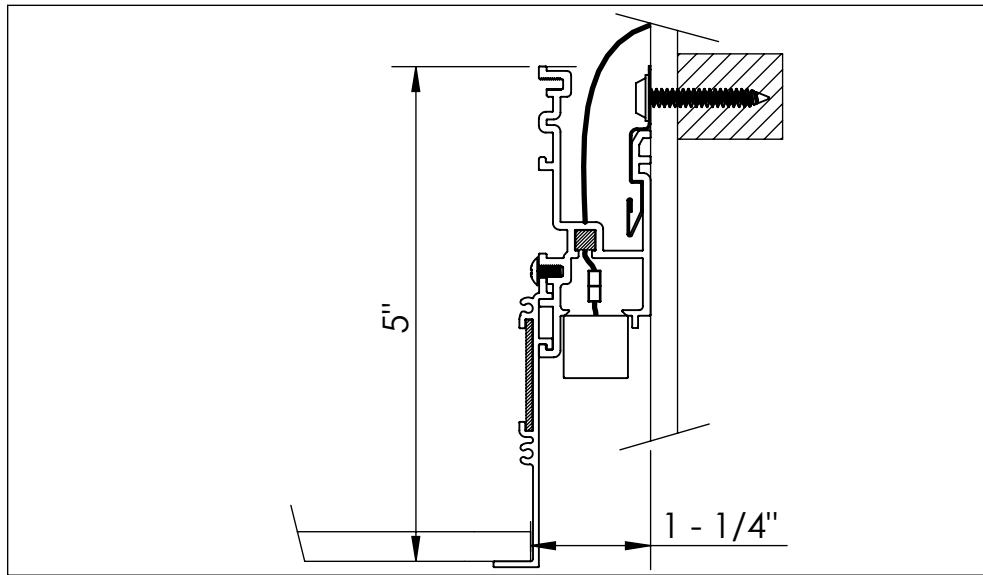
CAUTION:

THIS IS AN ELECTRONIC DEVICE. CARE MUST BE TAKEN DURING STORAGE AND HANDLING. STORE IN A CLEAN, COOL AND DRY LOCATION. ELECTROSTATIC DISCHARGE (ESD) CAN HARM THIS PRODUCT. AVOID STATIC DISCHARGE WHILE HANDLING THIS PRODUCT.

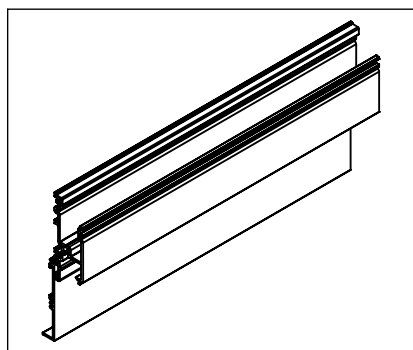
CAUTION:

INTER-LUX IS NOT RESPONSIBLE FOR THE STRUCTURAL INTEGRITY OF THE BUILDING TO SUPPORT THE LUMINAIRE. ADDITIONAL BACKING MAY BE REQUIRED.

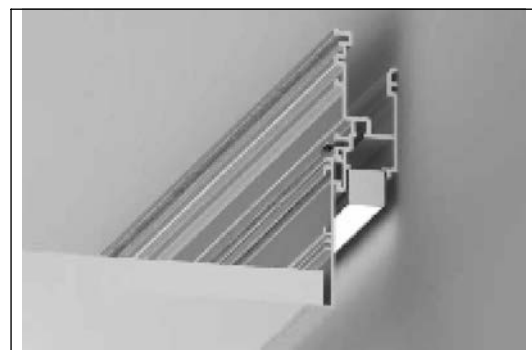
MOUNTING DIMENSIONS



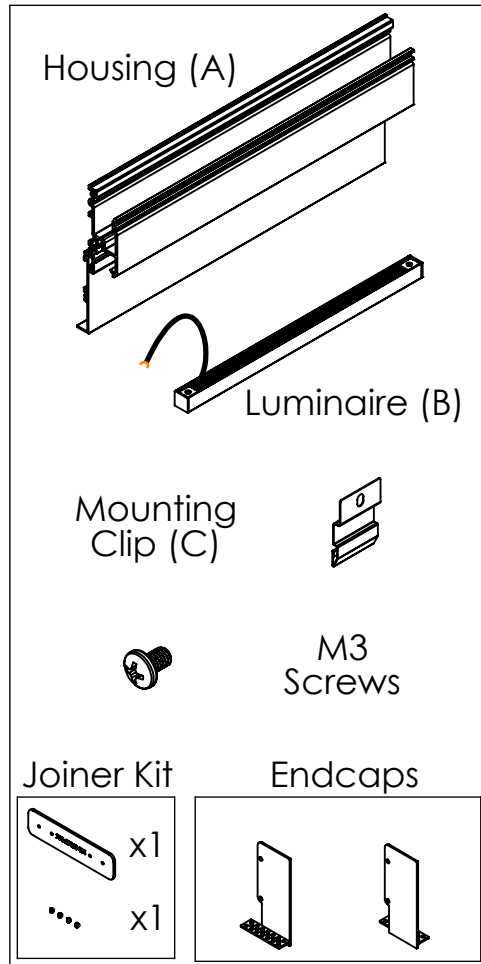
ISOMETRIC VIEW



RENDERING



PACKAGE INCLUDES: (refer to package list to identify parts)



ITEMS NEEDED (SUPPLIED BY OTHERS):

- Phillips Head Screwdriver
- #2 Screwdriver
- Wire Connectors
- Wire Strippers
- M3 Hex head Allen Key
- Mounting Screws

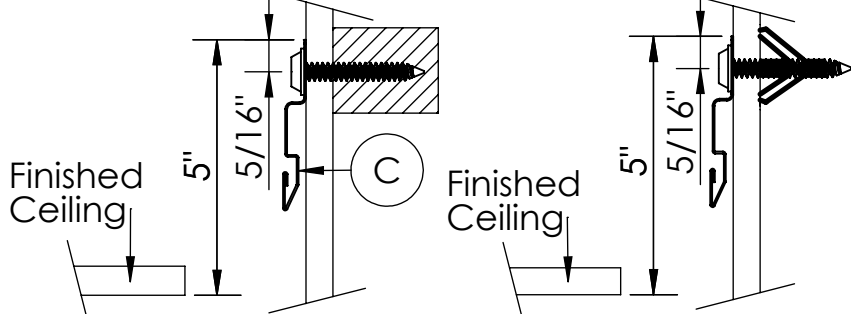
INSTALLATION INSTRUCTIONS

LOCATE AND REVIEW ANY CONSTRUCTION PLANS AND INTERLUX RECORD DRAWINGS FOR ALL FIXTURE RUNS. It is recommended to locate and lay out all components for each fixture "run". A fixture run typically consist of joiners, lengths of housings, lengths of inserts, and endcaps. BE SURE TO IDENTIFY ALL CORRECT LENGTHS FOR EACH FIXTURE RUN.

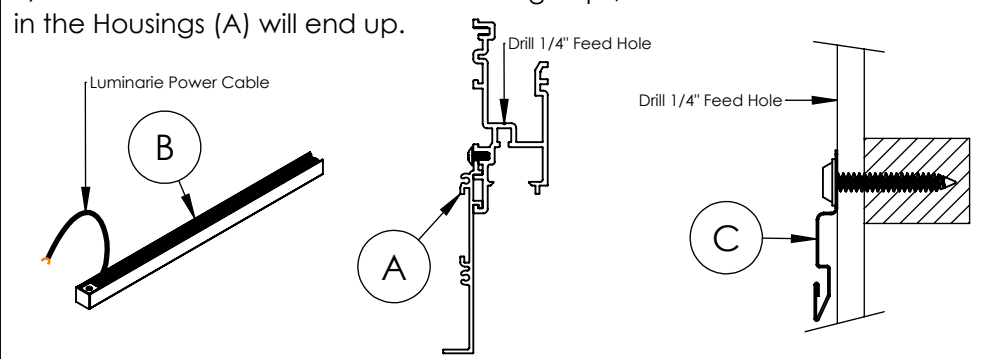
Step 1; Mounting Clips: Turn off Power before Installing. Mark the wall at the intended height of the Mounting Clips (C), 5" above the bottom of the intended ceiling. Then screw Mounting Clips (C) into the wall, it is recommended you use appropriate backing or drywall anchors. The surrounding structure is required to support the weight of the fixture (1 - 1/2 lb per foot). Use at least one Clip every 16", for each Housing (A) Length. For shorter Housings (A), must use at least 2 Clips per Housing (A), 3 recommended. No Clip should be within 3" from the ends of any Housing (A).

Wood Backing

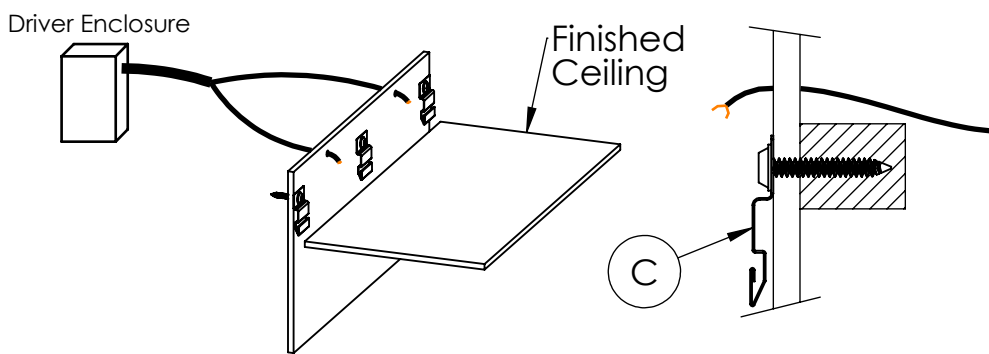
Drywall Anchor



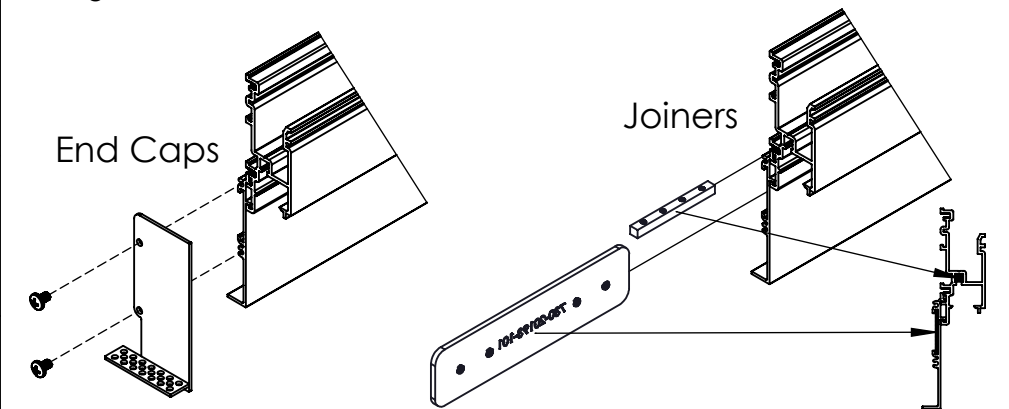
Step 2; Feed Holes: Determine which end the Luminaire (B) cables will start at on each Housing (A) and mark them on the shown location on the Housings (A), no less than 3 inches from the end. Then drill 1/4" holes where you marked. Finally look at where the Housings (A) will be installed and drill 1/4" holes above the line of the Mounting Clips, and close to where the holes in the Housings (A) will end up.



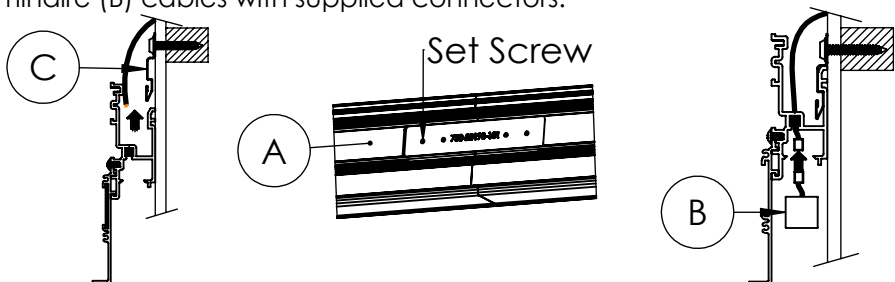
Step 3; Remote Drivers: Install the Remote drivers and run Low voltage cables to the wall. Then run the Low voltage cables through the feed holes drilled above the Mounting Clips (C).



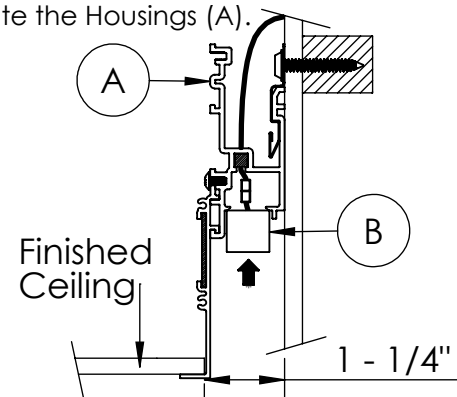
Step 4; Mounting Hardware: Install Endcaps on first and last Housing (A) of each run. Install Joiners on each Housing (A), before putting in the ceiling.



Step 5; Install Housing: Ensure all Low voltage cables are pulled through the wall and accessible. Check that Housings (A) have correct End caps and Joiners installed. Then push the Housing (A) up until it engages with the Mounting Clips (C). Repeat until all Housings (A) are installed. Slide the joiners (example below) halfway in between each Housing (A) and tighten the set screws. Run Low voltage cables through Housing (A) feed holes. Repeat until all Housings (A) are in the ceiling. Next make electrical connections to Luminaire (B) cables with supplied connectors.



Step 6; Install Luminaire: Push the Luminaires (B) up until they snap into the Housings (A). Position Luminaires so that there are no noticeable gaps between them. Next Power the Luminaires (B) to double check electrical connections. When the ceiling is installed, it will need to end 1 - 1/4" from the the wall to accomodate the Housings (A).



WARNING:
INSTALL PRODUCT IN ACCORDANCE WITH LOCAL AND NATIONAL ELECTRICAL CODES BY A QUALIFIED ELECTRICIAN.

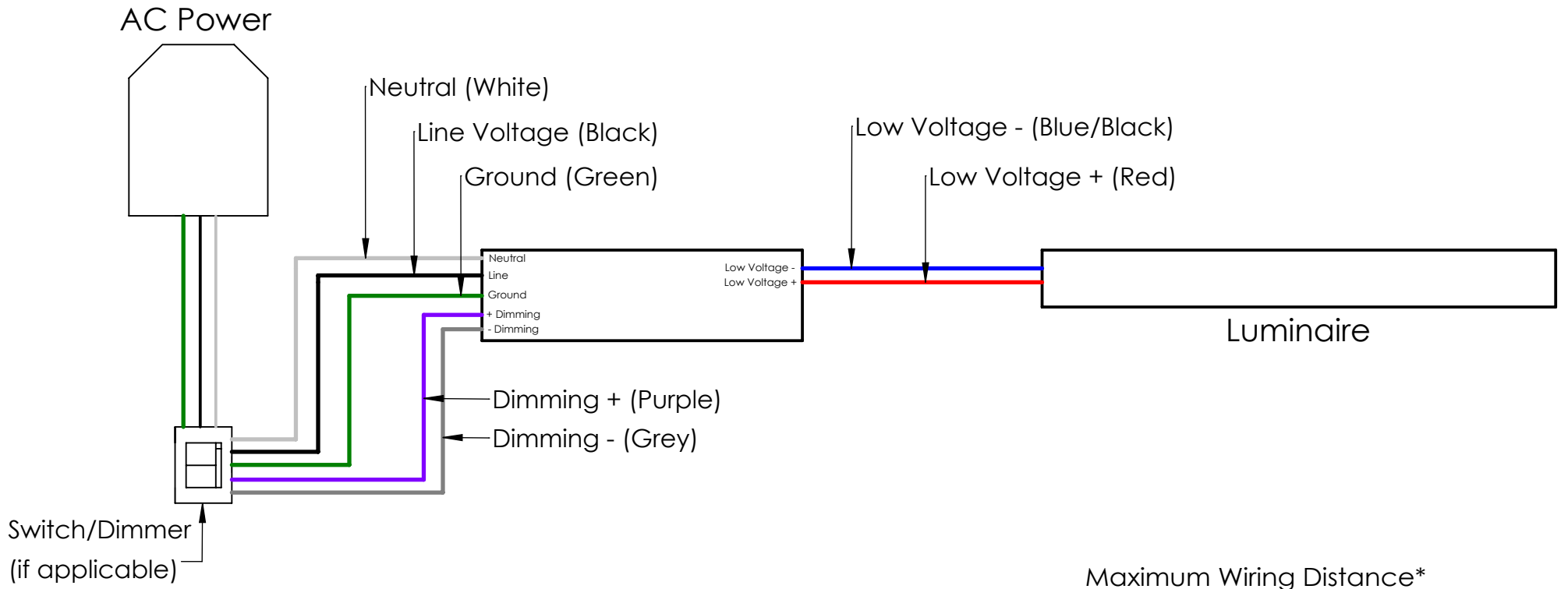
WARNING:
FAILURE TO COMPLY WITH THE INSTALLATION INSTRUCTIONS MAY RESULT IN DEATH OR SERIOUS INJURY.

WARNING:
READ ALL SAFETY INSTRUCTIONS INCLUDED WITH LUMINAIRE BEFORE INSTALLING LUMINAIRE. SAVE INSTRUCTIONS FOR FUTURE USE.

CAUTION:
THIS IS AN ELECTRONIC DEVICE. CARE MUST BE TAKEN DURING STORAGE AND HANDLING. STORE IN A CLEAN, COOL AND DRY LOCATION. ELECTROSTATIC DISCHARGE (ESD) CAN HARM THIS PRODUCT. AVOID STATIC DISCHARGE WHILE HANDLING THIS PRODUCT.

CAUTION:
INTER-LUX IS NOT RESPONSIBLE FOR THE STRUCTURAL INTEGRITY OF THE BUILDING TO SUPPORT THE LUMINAIRE. ADDITIONAL BACKING MAY BE REQUIRED.

Wiring Key



Red	Blue/Black	Green	Black	White	Purple	Grey
Positive	Negative	Ground	Line	Neutral	Dimming +	Dimming -

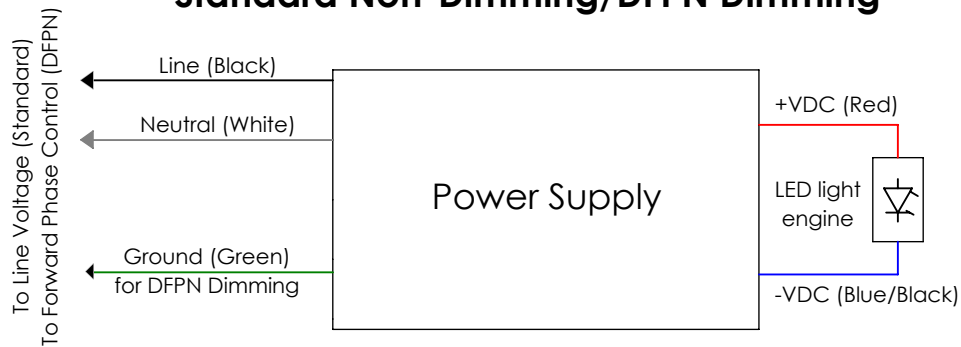
Maximum Wiring Distance*

Wire Gauge	Maximum Lead Length			
	Osram		Lutron	
	≤ 48W	≤ 72W	≤ 96W	≤ 40W
#18AWG	37'	25'	18'	15'
#16AWG	59'	39'	29'	25'
#14AWG	95'	63'	47'	40'
#12AWG	151'	101'	75'	60'

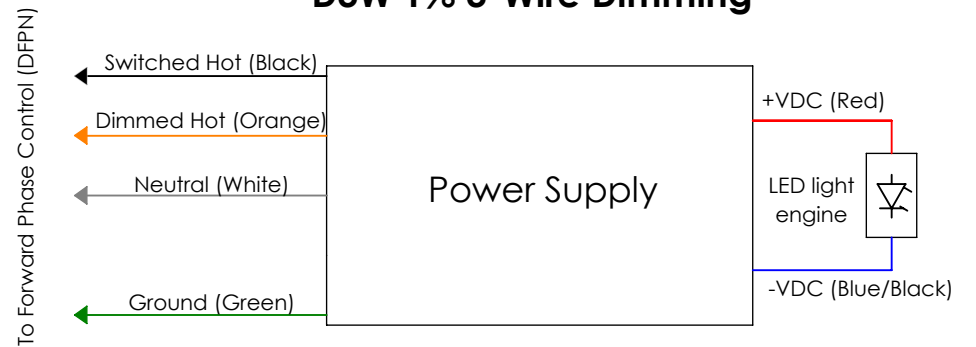
*Actual Voltage drop to be calculated by installer

Driver Wiring Diagrams

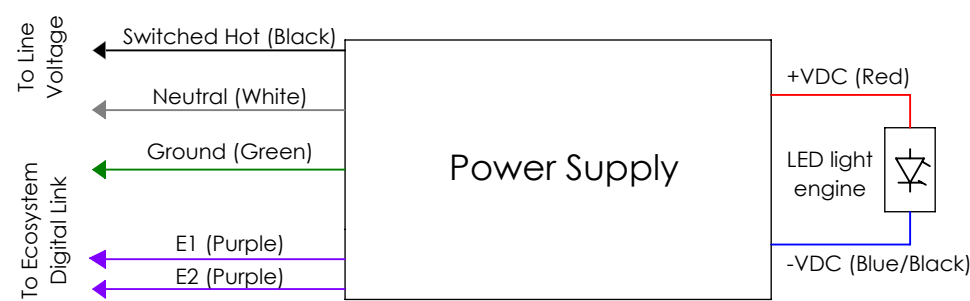
Standard Non-Dimming/DFPN Dimming



D3W 1% 3-Wire Dimming



L3DAE 1%/L3D0E 0.1% Dimming



0-10V Dimming



NOTE: ALL SHOWN DRIVERS ARE INTER-LUX PROVIDED. FOR NON INTER-LUX PROVIDED DRIVERS PLEASE REFER TO DRIVER MANUFACTURERS. THE USE OF NON INTER-LUX PROVIDED DRIVERS VOIDS PRODUCT WARRANTY.