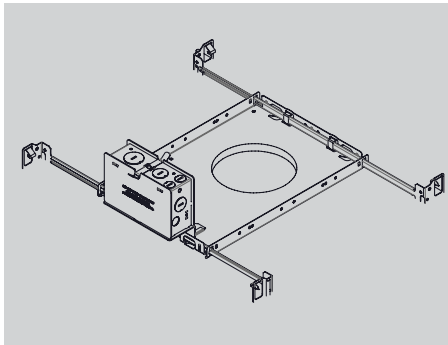
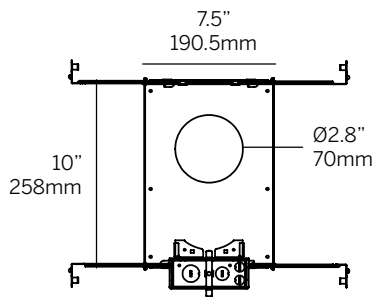


New Construction Housing

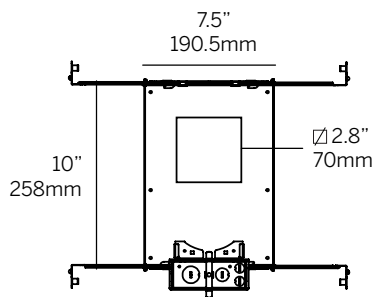


Ordering Information for housing only

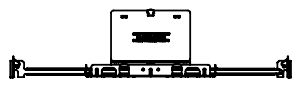
Model	Opening ¹	Driver ²	Options
NC = New Construction	R S	X S S010 SPH D010 PEQ1 PEQ0 DFPN	AP



Round (R)



Square (S)



Adjustable 13" to 26"
330mm to 660mm

NC Housing

- Installation Insulated Ceilings and Chicago Plenum.
- Galvanized steel construction.
- Fully caulked corners.
- Gasketed mating plaster frame surfaces and of integral junction box.
- Integral junction box for wire splice from external power source (optional).
- Supplied with hanger bars that adjust between 13" and 26".
- Anti-vibration embossing.
- Designed for an airflow rate not to exceed 2 CFM

Opening

- R = Round (hole size defined by ordered luminaire)
- S = Square/Rectangular (hole size defined by ordered luminaire)

Driver

- X = No driver (for multiple fixtures fed from a single remote driver)

Integral

- S = Standard non-dim driver, 120-277V
- S010 = Standard 0-10V ≥ 10% dimming, 120-277V
- SPH = Standard Phase Dimming, 120VAC (available in low and medium power only)

Remote

- D010 = EldoLED, 1%, 0-10V dimming, 120-277V
- PEQ1 = Lutron Hi-lume 1% EcoSystem
- PEQ0 = Lutron Hi-lume Premier 0.1% EcoSystem
- DFPN = Lutron Forward Phase 1% 120VAC only

Options

- AP = Adapter plate

How to order a complete fixture with IC housing:

- Add 'IC' option code at the end of part number. i.e. LL-E96438-ICD010
- Add 'CP' option code at the end of part number. i.e. LL-E96438-CPX

Notes

- Opening determined by product cut out. For openings <3.9" an adapter (allowing maintenance from below) can be supplied, which is determined by selected luminaire. Maximum ceiling thickness 0.8". Please specify -AP after IC or CP.
- Integral power supply depends on product selection.

