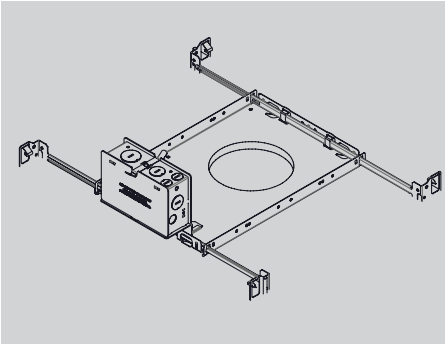
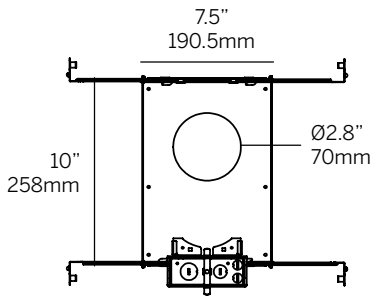


2.4" General Downlights New Construction Housing

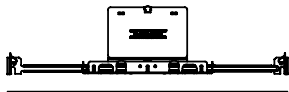


Ordering Information for housing only

NC	R		
Model	Opening	Driver ¹	Options
NC = New Construction	R	X S S010 SPH RD010 RPEQO	AP



Round (R)



Adjustable 13" to 26"
330mm to 660mm

NC Housing

- Installation Insulated Ceilings and Chicago Plenum.
- Galvanized steel construction.
- Fully caulked corners.
- Gasketed mating plaster frame surfaces and of integral junction box.
- Integral junction box for wire splice from external power source (optional).
- Supplied with hanger bars that adjust between 13" and 26".
- Anti-vibration embossing.
- Designed for an airflow rate not to exceed 2 CFM.

Opening

- R = Round

Driver

- X = No driver (for multiple fixtures fed from a single remote driver)

Integral¹

- S = Standard non-dim driver, 120-277V
- S010 = Standard 0-10V ≥ 10% dimming, 120-277V
- SPH = Standard Phase Dimming, 120VAC (available in low and medium power only)

Remote

- RD010 = EldoLED, 1%, 0-10V dimming, 120-277V
- RPEQO = Lutron Hi-lume Premier 0.1% EcoSystem

¹ Integral power supply depends on product selection.

