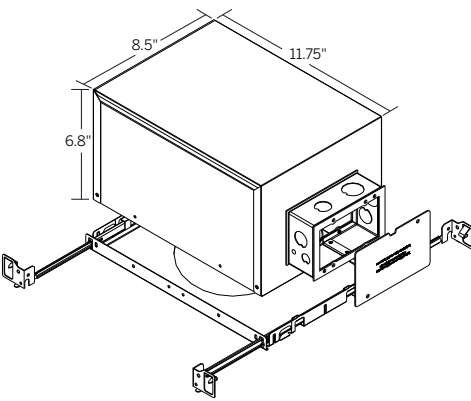
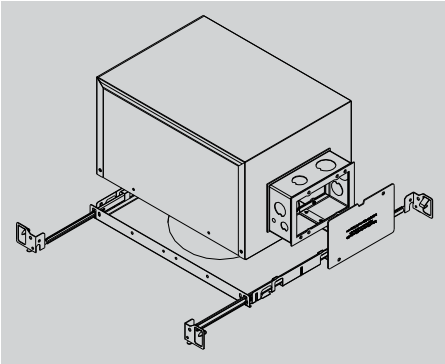


# 2.4" General Downlights Insulated Ceiling / Chicago Plenum Housing



## Ordering Information for housing only

Model	Opening	Driver <sup>1</sup>	Options
IC = Insulated Ceiling CP = Chicago Plenum	R	X S S010 SPH RD010 RPEQ0	AP

### IC / CP Housing

- Installation Insulated Ceilings and Chicago Plenum.
- Galvanized steel construction.
- Fully caulked corners.
- Gasketed mating plaster frame surfaces and of integral junction box.
- Integral junction box for wire splice from external power source (optional).
- Supplied with hanger bars that adjust between 13" and 26".
- Anti-vibration embossing.
- Designed for an airflow rate not to exceed 2 CFM.

### Opening

- R = Round

### Driver

- X = No driver (for multiple fixtures fed from a single remote driver)

### Integral<sup>1</sup>

- S = Standard non-dim driver, 120-277V
- S010 = Standard 0-10V ≥ 10% dimming, 120-277V
- SPH = Standard Phase Dimming, 120VAC (available in low and medium power only)

### Remote

- RD010 = EldoLED, 1%, 0-10V dimming, 120-277V
- RPEQ0 = Lutron Hi-lume Premier 0.1% EcoSystem

### Options

- AP = Adapter plate

<sup>1</sup> Integral power supply depends on product selection.

