



**WARNING:**

INSTALL PRODUCT IN ACCORDANCE WITH LOCAL AND NATIONAL ELECTRICAL CODES; BY A QUALIFIED ELECTRICIAN.



**WARNING:**

FAILURE TO COMPLY WITH THE INSTALLATION INSTRUCTIONS MAY RESULT IN DEATH OR SERIOUS INJURY



**WARNING:**

READ ALL SAFETY INSTRUCTIONS INCLUDED WITH LUMINAIRE BEFORE INSTALLING LUMINAIRE.

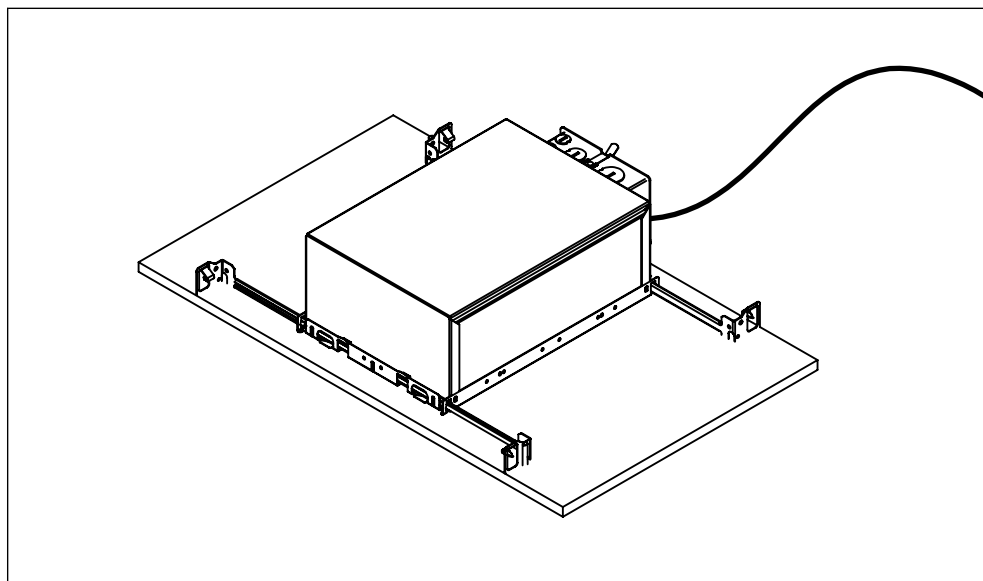
**CAUTION:**

THIS IS AN ELECTRONIC DEVICE. CARE MUST BE TAKEN DURING STORAGE AND HANDLING. STORE IN A CLEAN, COOL AND DRY LOCATION. ELECTROSTATIC DISCHARGE (ESD) CAN HARM THIS PRODUCT. AVOID STATIC DISCHARGE WHILE HANDLING THIS PRODUCT.

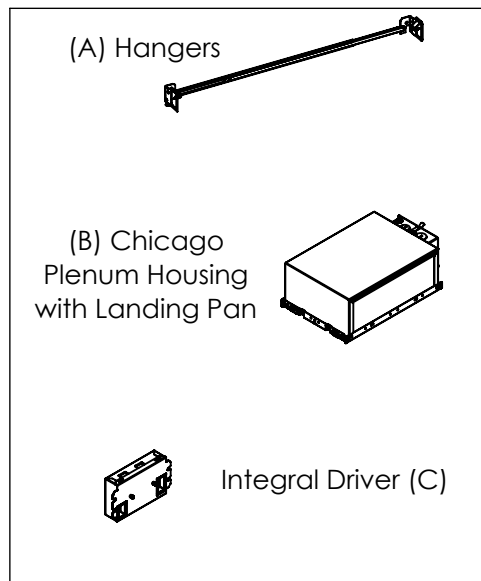
**CAUTION:**

INTER-LUX IS NOT RESPONSIBLE FOR THE STRUCTURAL INTEGRITY OF THE BUILDING TO SUPPORT THE LUMINAIRE. ADDITIONAL BACKING MAY BE REQUIRED.

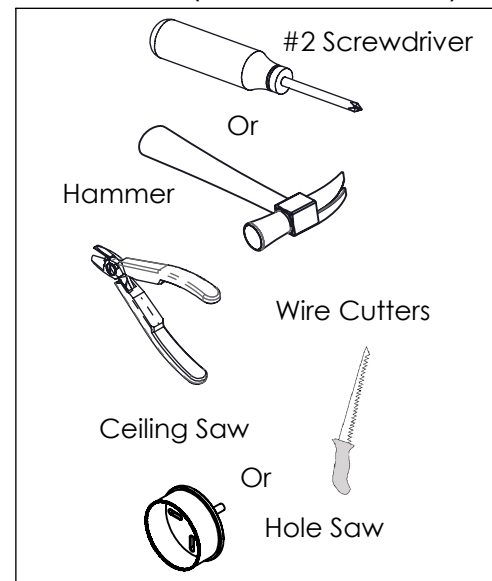
**ISOMETRIC VIEWS**



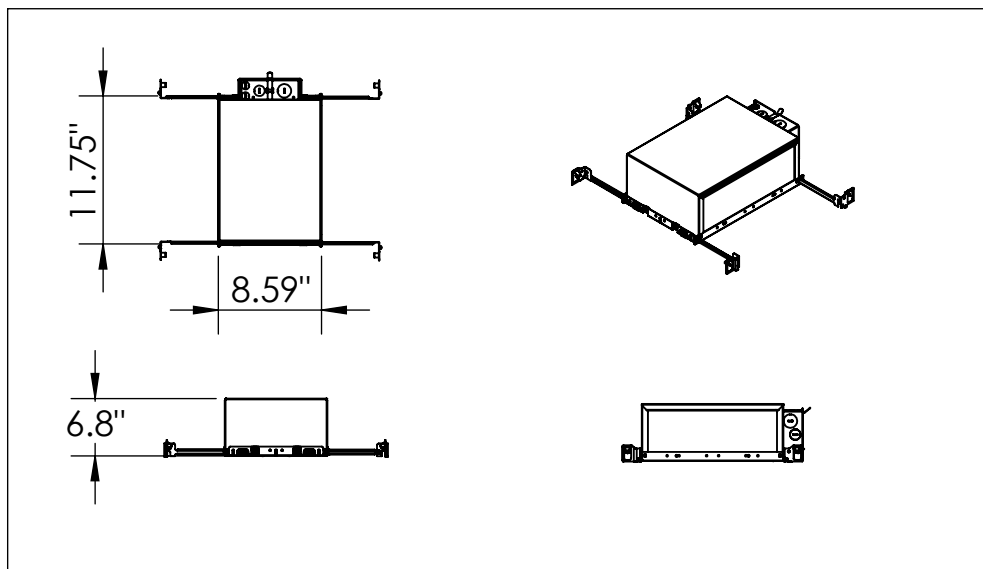
**PACKAGE INCLUDES:**



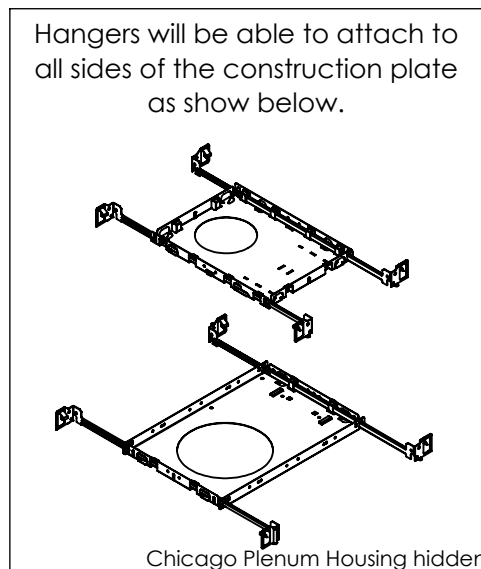
**ITEMS NEEDED (SUPPLIED BY OTHERS):**



**MOUNTING DIMENSIONS**



**PRODUCT POSITIONS**

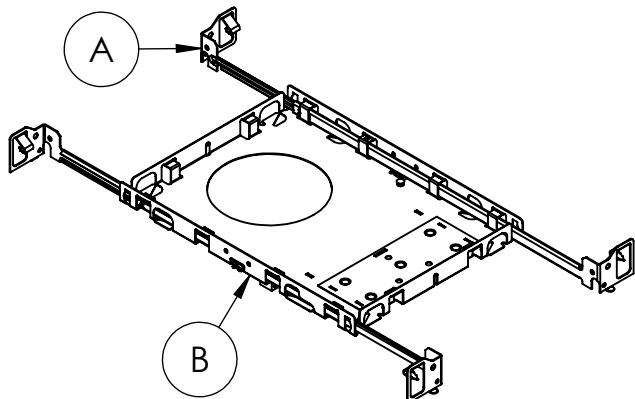


**CEILING HOLE CUT-OUT CHART**

	Round	Square
GDL	Ø 2-3/4"	N/A
GDL Mark II	Ø 2-3/4"	□ 2-3/4"
ProTools D	Ø 4-3/4"	□ 4-3/4"
ProTools DL	Ø 4-3/4"	□ 4-3/4"
ProTools DLX	Ø 4-3/4"	□ 4-3/4"

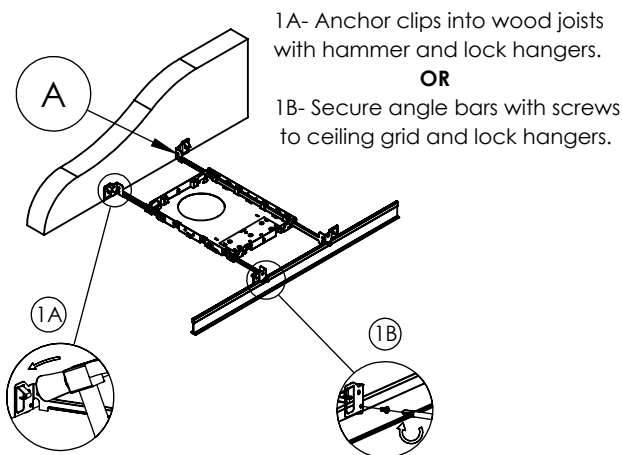
**SURFACE MOUNT INSTALL**

Step 1: Install Hangers (A) as shown below.



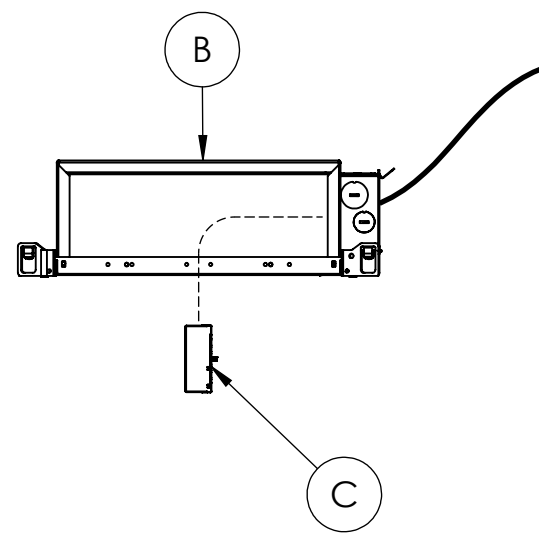
Chicago Plenum Housing hidden

Step 2: Determine mounting position, adjust width of Hangers (A) until flush with surface.

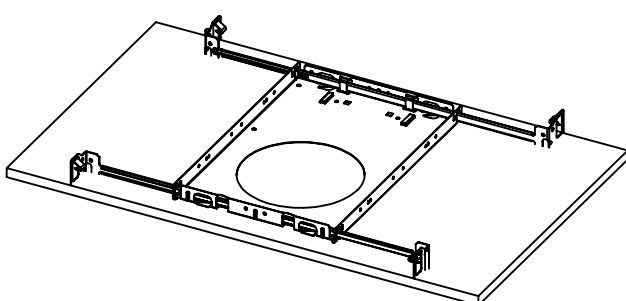


Chicago Plenum Housing hidden

Step 3: Install the Integral Driver (C) and make connection with AC power inside of Junction Box.

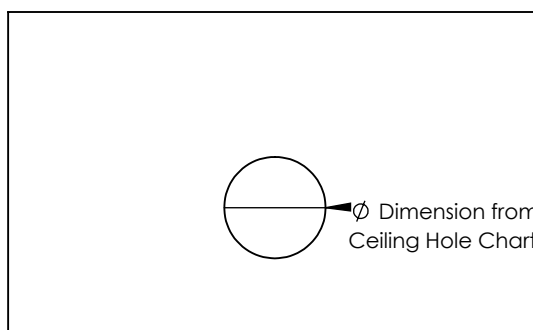


Step 4: Install the ceiling, ensuring the Chicago Plenum Housing and Landing Pan (B) ends up flat on top of the ceiling.



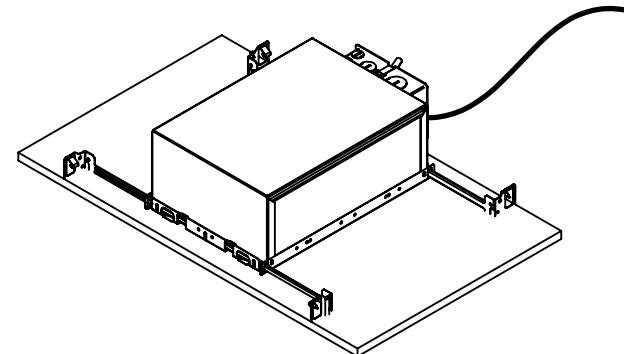
Chicago Plenum Housing hidden

Step 5: Cut ceiling hole that matches the position and dimensions of the Landing Pan (B) hole. For openings less than Ø 3.9", the ceiling must be accessible.



Bottom View

Step 6: Insert product in accordance with provided Installation Instructions.



**WARNING:**  
INSTALL PRODUCT IN ACCORDANCE WITH LOCAL AND NATIONAL ELECTRICAL CODES; BY A QUALIFIED ELECTRICIAN.

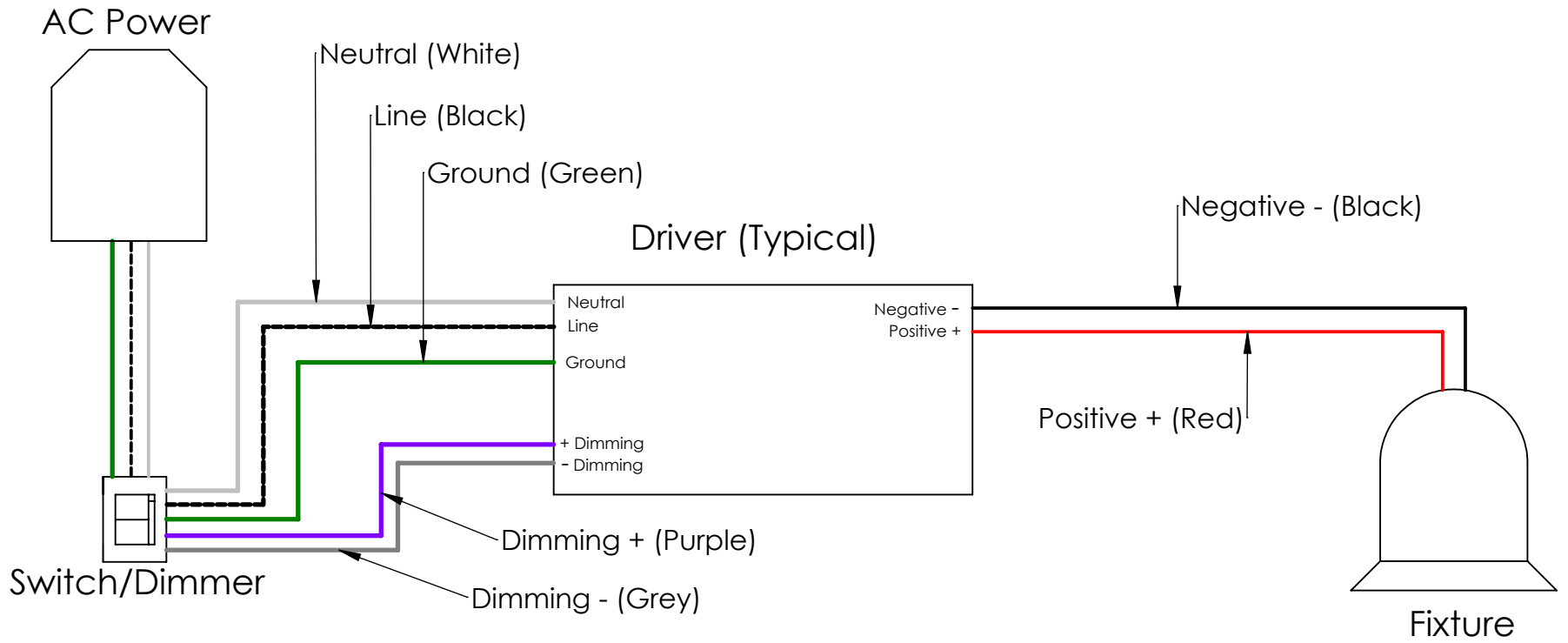
**WARNING:**  
FAILURE TO COMPLY WITH THE INSTALLATION INSTRUCTIONS MAY RESULT IN DEATH OR SERIOUS INJURY.

**WARNING:**  
READ ALL SAFETY INSTRUCTIONS INCLUDED WITH LUMINAIRE BEFORE INSTALLING LUMINAIRE.

**CAUTION:**  
THIS IS AN ELECTRONIC DEVICE. CARE MUST BE TAKEN DURING STORAGE AND HANDLING. STORE IN A CLEAN, COOL AND DRY LOCATION. ELECTROSTATIC DISCHARGE (ESD) CAN HARM THIS PRODUCT. AVOID STATIC DISCHARGE WHILE HANDLING THIS PRODUCT.

**CAUTION:**  
INTER-LUX IS NOT RESPONSIBLE FOR THE STRUCTURAL INTEGRITY OF THE BUILDING TO SUPPORT THE LUMINAIRE. ADDITIONAL BACKING MAY BE REQUIRED.

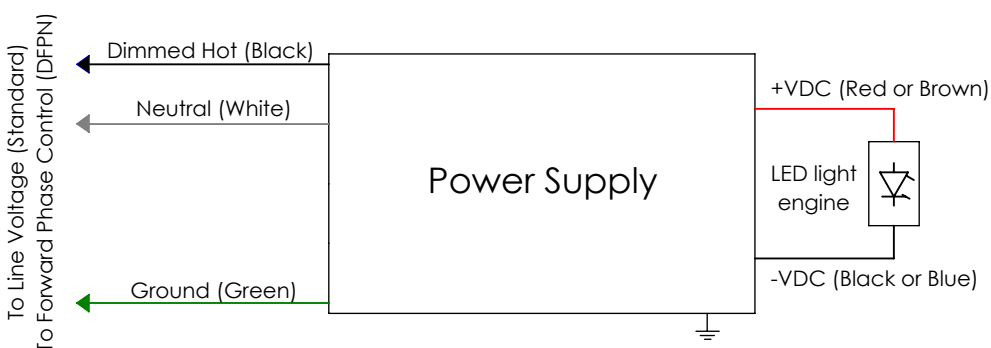
**Wiring Key**



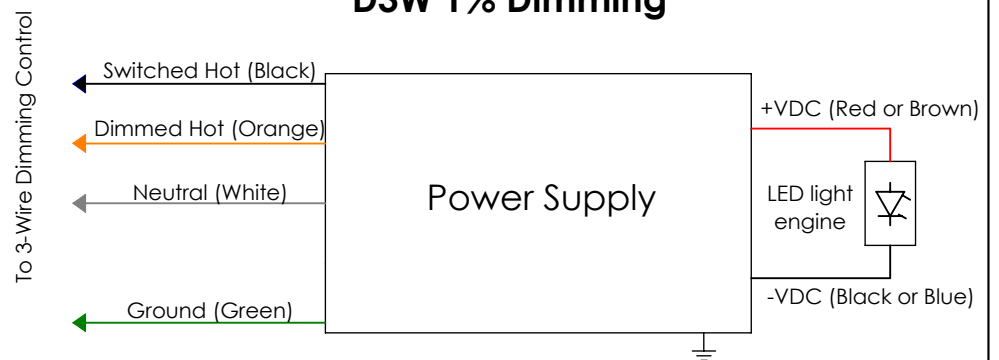
Red	Black	Green	Black	White	Purple	Grey
Positive	Negative	Ground	Line	Neutral	Dimming +	Dimming -

**Driver Wiring Diagrams**

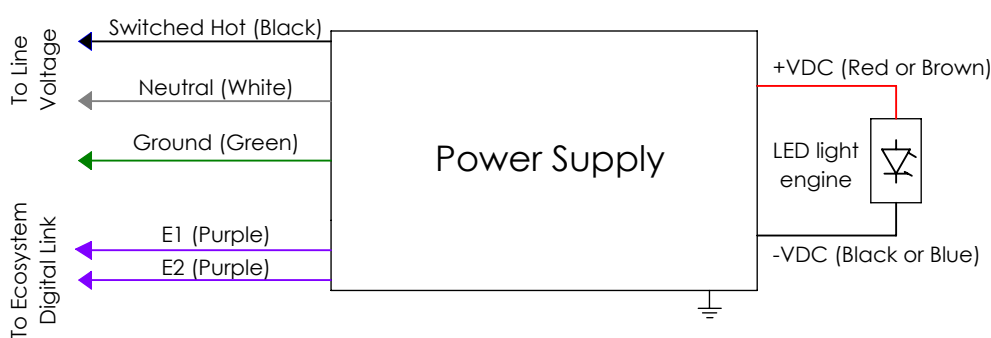
**Standard Non-Dimming/DFPN Dimming**



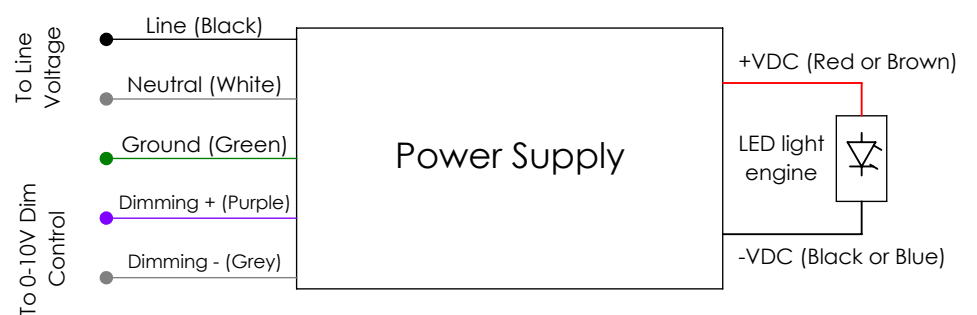
**D3W 1% Dimming**



**DES 1% Dimming**



**0-10V Dimming**



**ALL SHOWN DRIVERS ARE INTER-LUX PROVIDED. FOR NON INTER-LUX PROVIDED DRIVERS PLEASE REFER TO DRIVER MANUFACTURER. THE USE OF NON INTER-LUX PROVIDED DRIVERS VOIDS PRODUCT WARRANTY.**