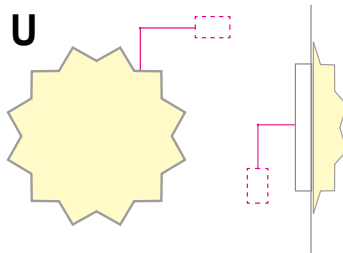


SPILLA

Mounting Version



lamp with cavity box
and external power
supply unit in false
wall

recessed wall light (U)



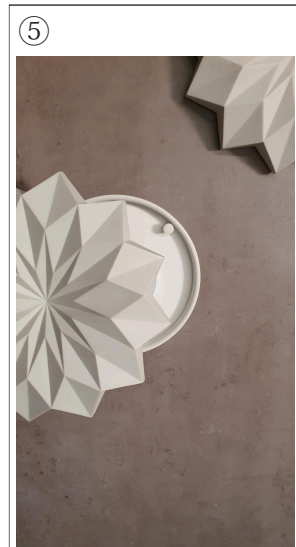
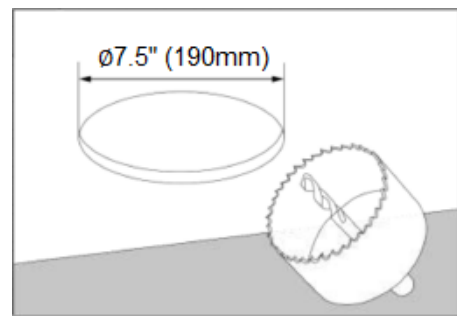
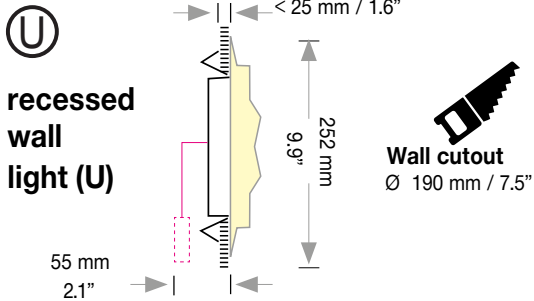
Handcrafted in
Germany,
certified quality

We will be glad to assist you with any further questions regarding the assembly of our light fixtures.

Contact: Inter-lux, 3741 Commerce Dr. #306-308, Baltimore, MD 21227. 410-381-1497 www.inter-lux.com

Legal disclaimer: Please make sure to adhere to all safety instructions. Every single assembly step is crucial in order to ensure the safety of the light fixture and the technician. Inter-lux and SATTLER GmbH cannot be held liable for any damages or injuries in case of negligence of safety instructions.

SPILLA



Recessed ceiling mounting – Connection of the light fixture with with external power supply unit



Mounting of the ceiling support



Make sure the ceiling has sufficient support capacity!

1. Cut as $\text{Ø}7\text{-}1/2'' / 190\text{mm}$ hole at the location for mounting. ($2\text{-}1/8'' / 55\text{mm}$ ceiling void depth),

Assembly of the operating unit, connection to light fixture



Ensure main power is off, then install remote drivers.

Mount operating unit only in a dry and aerated place!

Power supply cable from the operating unit to the light fixture max. 10m / 33 feet

Fixation of power supply unit unit vertically or horizontally (see sketch)

2. Route low voltage cable to the installation location and connect to Spilla.
3. OPTIONAL - Connect dimming leads to fixture.
4. Snap in the Spilla to the hole using the spring clips on the sides.
5. Mount porcelain cover to fixture body.
6. Turn on power, and test for operation.

Note wiring assignment from Spilla (see driver spec sheet for driver details)

brown	36VDC +
white	36VDC -
black	DIM +
blue	DIM -