

AVVENI PENDANT 1

Assembly Instructions

The light fixture may only be installed by qualified staff. Qualified staff are persons who are familiar with the installation and first-time operation of the product and who have corresponding qualifications, e.g.:

- Trained electricians or persons who have received training in electrotechnology.
- People who have received training or instruction on the use of appropriate safety equipment according to the safety standards for electrical circuits.
- People who have received training or instruction on first aid and accident prevention.



Dangers

- Ensure that the main power supply is switched off!
- Danger of serious injury due to electric power!
- Prior to installation or removal of the luminaire and the light source, verify that the device is volt-free.

In case of any malfunction, contact your local specialist retailer.

Scope of Delivery

Package 1

	Teil	Anzahl
<input type="checkbox"/>	Light head with 2000 mm supply cable	1 x

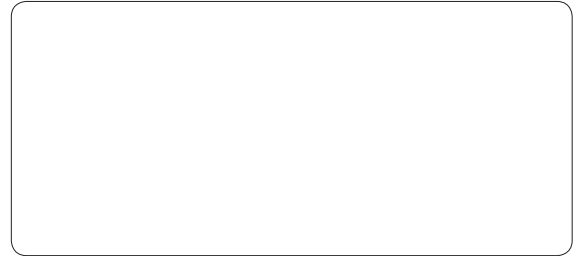
Package 2

<input type="checkbox"/>	Gloves	1 x
	Screwdriver	1 x
	Assembly Instructions	1 x

Assembly Options

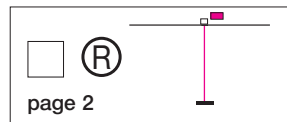
	Version
<input type="checkbox"/>	Canopy including technical unit
<input type="checkbox"/>	1 x cavity ceiling box and separate power supply for suspended ceiling, ceiling plate, screws

Technical data:



Assembly Option

— supply line 36 V



Dimming

- dimmer interface 0-10V
- dimmer interface 1-10V

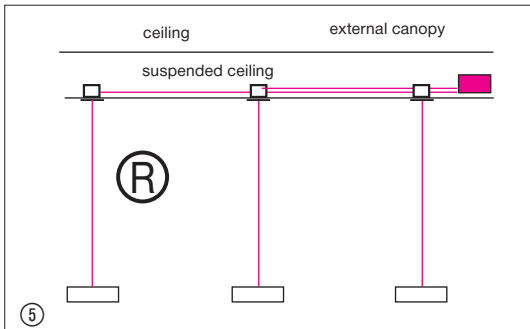
- DALI interface
- CASAMBI interface



AVVENI PENDANT 1



Flush-mounting box and separate Ballast for false ceiling.

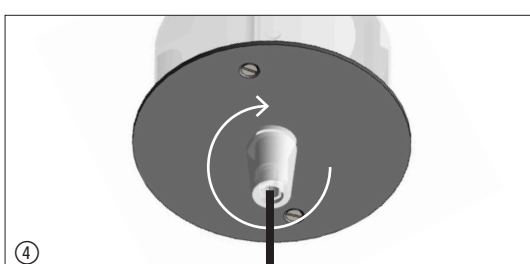
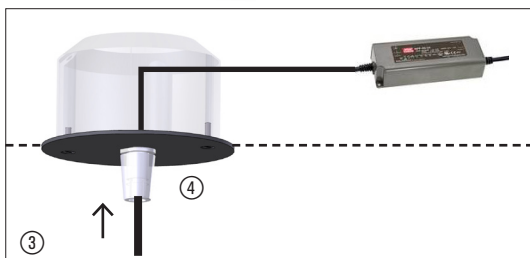
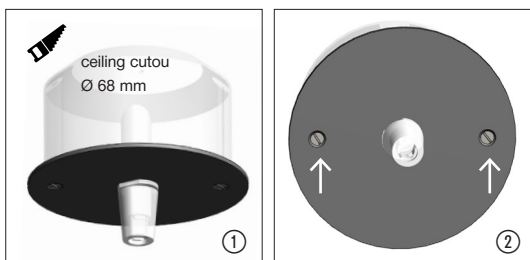
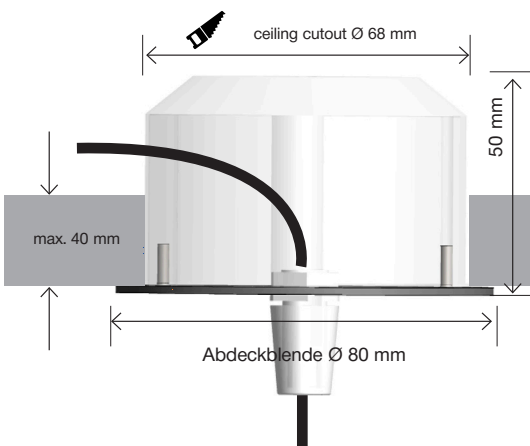


Installation of flush-mount ceiling boxes with integrated cable hold



Verify sufficient load-bearing capacity of the ceiling!

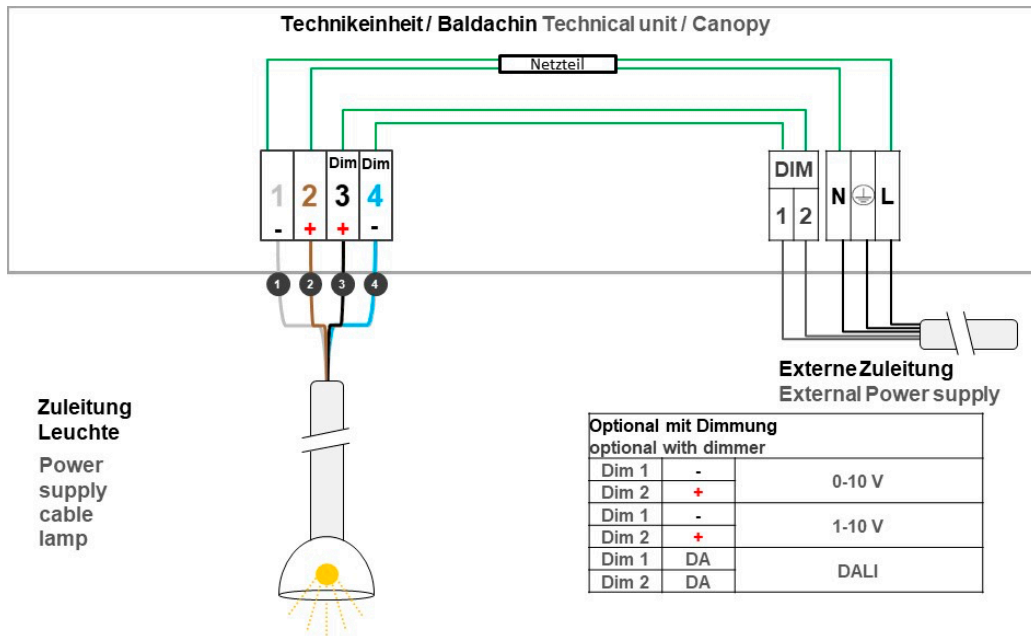
1. On the ceiling, mark the mounting points of the flush-mount ceiling box/es.
2. Make the ceiling cutout measuring $\varnothing 68$ mm ①.
3. Fix the box to the ceiling with 2 cross-slotted screws (the maximum ceiling thickness is 40 mm).
4. Fasten cover plate with 2 screws ②.
5. Pass the pre-assembled cable through the hole in the cover plate and the flush-mounted box to the ballast unit and connect it there according to the connection diagram ③.
6. Move the luminaire into the desired position by adjusting the length of the supply cable. Finally, fix the supply cable with strain relief ④.
7. Check the luminaire functions.



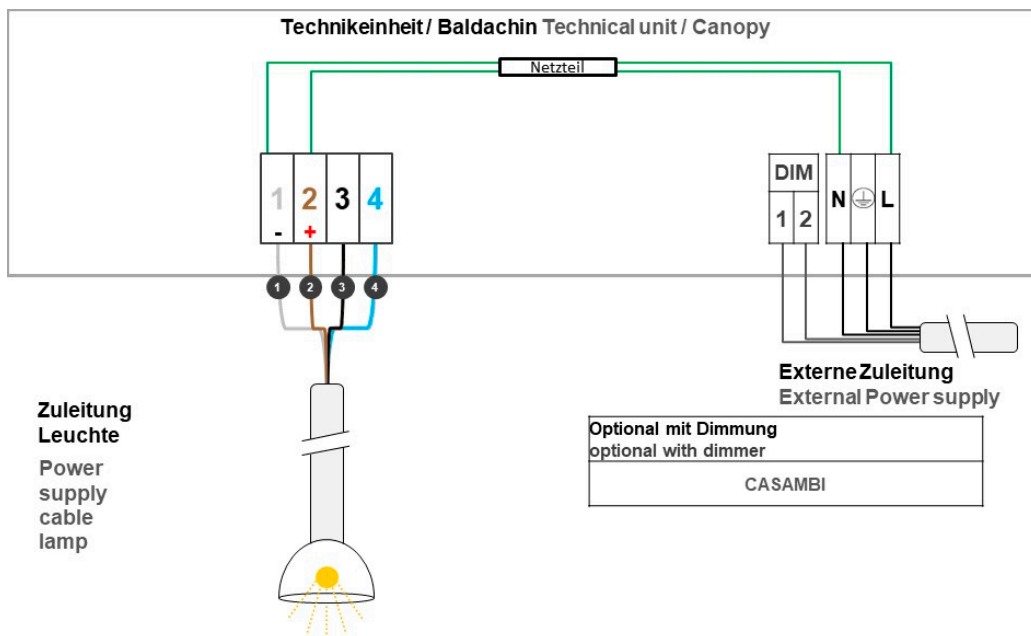
Several luminaires can be connected to one ballast unit, taking into account the corresponding power of the ballast unit. ⑤

AVVENI PENDANT 1

Wiring diagram:



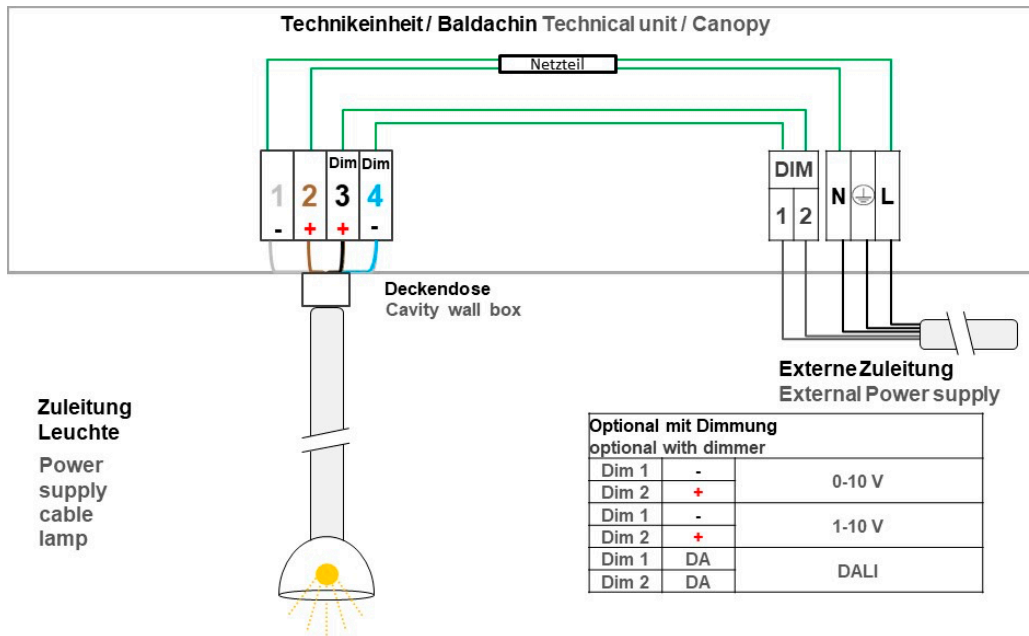
SATTLER Anschlussschema / wiring diagram AVVENI P1 14.11.2018



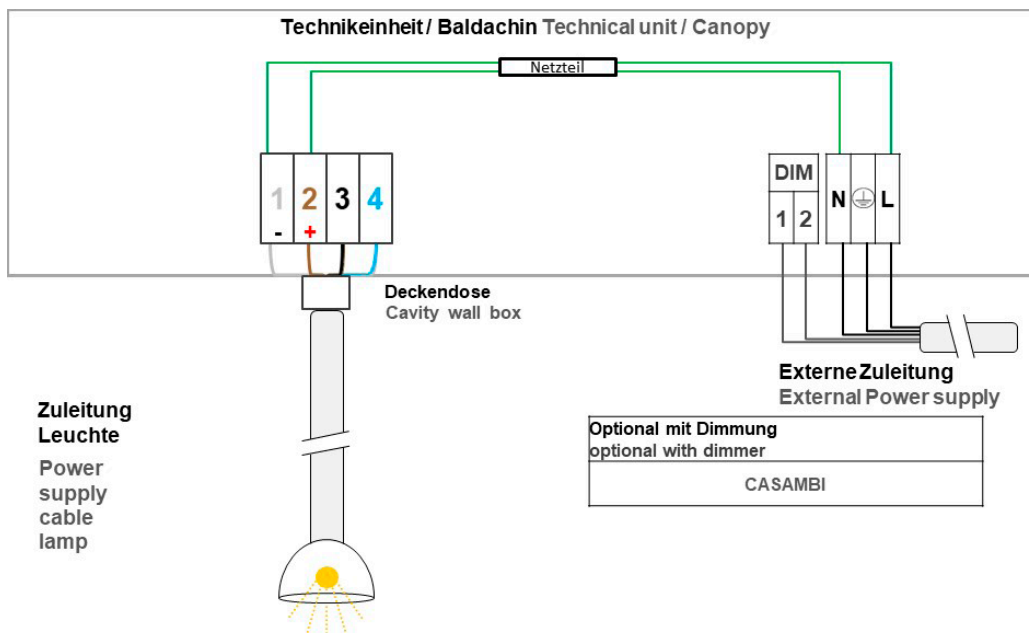
SATTLER Anschlussschema / wiring diagram AVVENI P1 14.11.2018

AVVENI PENDANT 1

Wiring diagram:



SATTLER Anschlussschema / wiring diagram AVVENI P1_R 14.11.2018



SATTLER Anschlussschema / wiring diagram AVVENI P1_R 14.11.2018

We will be glad to assist you with any further questions regarding the assembly of our light fixtures.

Contact: Inter-lux, 3741 Commerce Dr. #306-308, Baltimore, MD 21227. 410-381-1497 www.inter-lux.com

Legal disclaimer: Please make sure to adhere to all safety instructions. Every single assembly step is crucial in order to ensure the safety of the light fixture and the technician. Inter-lux and SATTLER GmbH cannot be held liable for any damages or injuries in case of negligence of safety instructions.