

# Assembly instruction

Date: 31.01.2019

## PALITO

### General remarks on safety

Read all of these instructions before installing fixtures.

- Keep all of the instructions for future reference.
- Turn off power before installing fixture.
- Installation is to be performed by a qualified electrician.
- All installations are to conform to the standards of National Electrical Code as well as all local jurisdictional codes and regulations.
- Any modification of the luminaire will void any and all written or implied warranties.
- Do not open the luminaire - this will void the IP rating
- The manufacturer accepts no responsibility for damage to persons or property arising through improper use or installation.

THIS PRODUCT MUST BE INSTALLED IN ACCORDANCE WITH THE APPLICABLE INSTALLATION CODE BY A PERSON FAMILIAR WITH THE CONSTRUCTION AND OPERATION OF THE PRODUCT AND THE HAZARDS INVOLVED



### Dangers

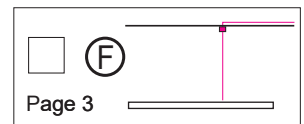
- Verify power is off at installation time.
- Injuries caused by electricity are possible

### Technical Data:

Measurements Ø x L mm/inches	Weight kg / lbs
Ø 22 / L 1240 mm / Ø 0.9 / L48.8"	1,4 / 3.1
Ø 22 / L 1550 mm / Ø 0.9 / L48.8"	2,0 / 4.4

### Mounting version

Supply line 24VDC



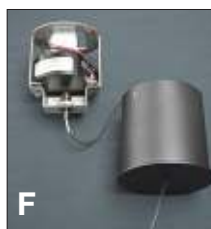
### Scope of Delivery

#### Packstück 1

	Part	Quantity
<input type="checkbox"/>	luminaire with 2000mm suspension cable ①	1 x
<input type="checkbox"/>	White gloves ②	1 x
	Screwdriver	1 x
	Assembly instructions	1 x

#### Mounting

	Version
<input type="checkbox"/>	Canopy including technical unit <b>F</b>
<input type="checkbox"/>	1 x flush-mounting box and separate canopy with remote mounted 24VDC driver for intermediate ceiling <b>R</b>



# Assembly instruction

Date: 31.01.2019

## PALITO

### Warranty

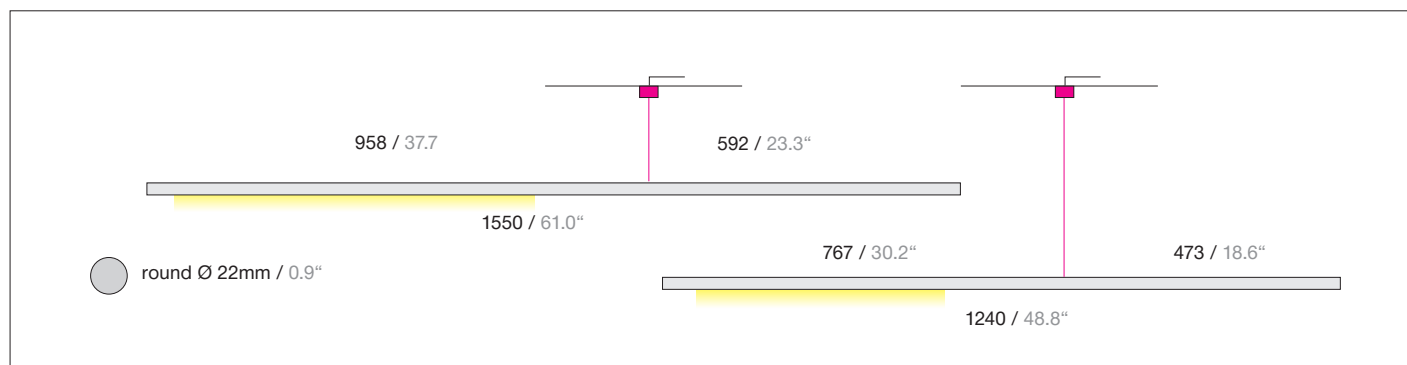
Use the enclosed assembly instructions for the installation of the lighting fixture. Non-compliance with the assembly instruction will automatically void the warranty.

The persons assigned with the installation of the product are instructed to handle it with the utmost care and safety in order to avoid damages to third parties.

The present light fixture has been tested and is fully operational.



PALITO MİKADO, mounting version (R) or (F)



PALITO MİKADO 1240 and 1550mm

**1 package**



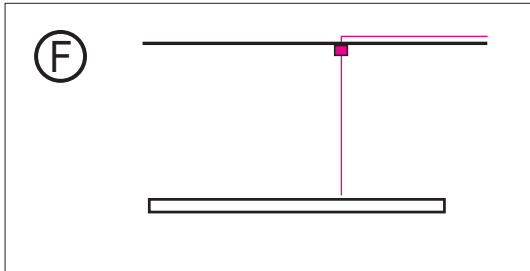
### Consignment consists of 1 package

Unpack light fixture and check the parts list (p. 1) to make sure it is complete. Use the provided gloves for fitting the light fixture in order to keep anodised surfaces and the acrylic glass clean.

PALITO



**Ceiling mounting Canopy with integrated technical unit.**



**Mounting the Canopy**



**Verify sufficient load-bearing capacity of the ceiling!**

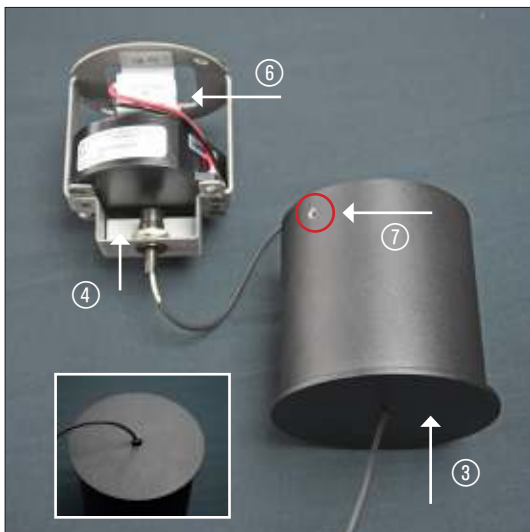


1. Mount the mounting frame with technical unit ① at 2 fixing points to the ceiling. Ø 6mm / 1/4" drill bit and dowel.
2. Connect the power supply and the control signal to the terminal block of the canopy (see wiring diagram on page 4).
3. Pass the pre-assembled supply cable through the upper part of the canopy ③ and insert it into the cable holder on the mounting frame of the technical unit ④.
4. The suspension height of the luminaire can be adjusted by applying light pressure to the cable holder ⑤.

After adjusting the cable length, shorten the cable if necessary and connect it to the terminal block of the technical unit ⑥.



**Shortened cables can only be replaced by the factory!**



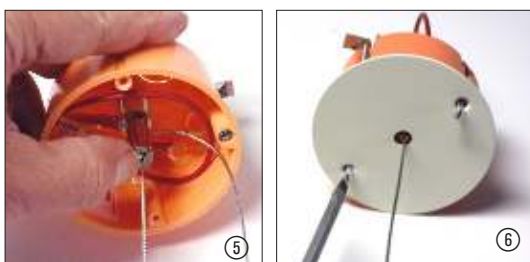
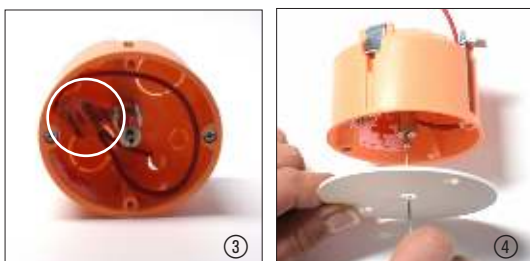
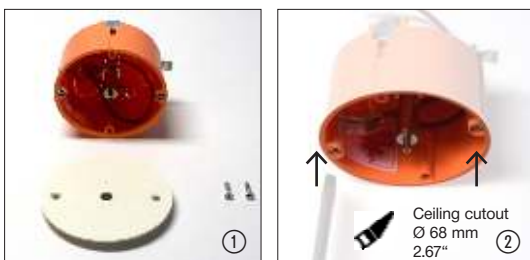
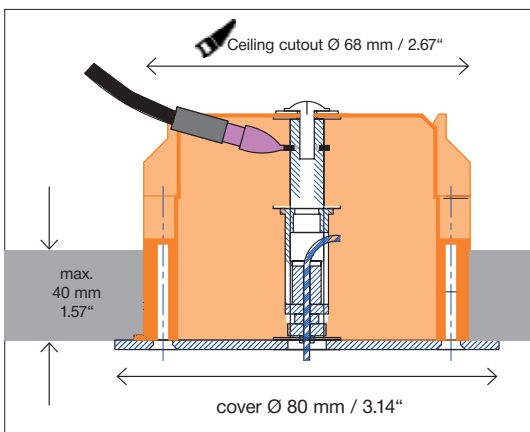
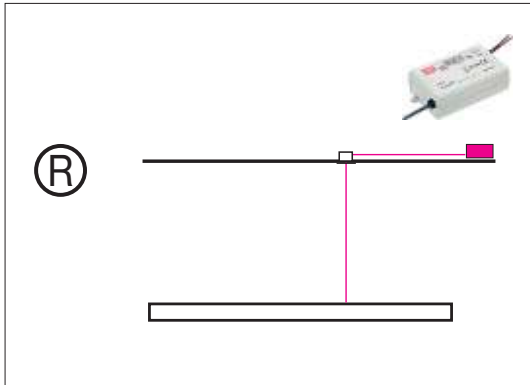
5. Mount the canopy on the mounting frame and fix it with two lateral screws ⑦.
6. Check the luminaire functions.



Assembly instruction

Date: 31.01.2019

PALITO



**Light fixture with current-carrying steel cable, cavity boxes and external power supply unit.**



**Mounting of the cavity boxes with integrated steel cable grippers.**



**Make sure the ceiling has sufficient load-carrying capacity!**

1. Mark the positions of the cavity box on the ceiling
2. Cut out a ceiling cavity with  $\varnothing$  68 mm / 2.67" ②. Attach the cavity box to the ceiling with 2 cross-recessed screws (the thickness of the ceiling must be max. 40 mm / 1.57").
3. Connect the power supply cable to the cavity box ③ and with the technical unit.
4. Insert the cable (which are already mounted on the fixture) through the hole in the cover plate in the cable grippers ④.
5. Lift the light fixture in the requested position and adjust by applying slight pressure on the cable gripper ⑤.
6. Shorten excessive cables.
7. Fix cover with two screws ⑥.
8. Check luminaire function.

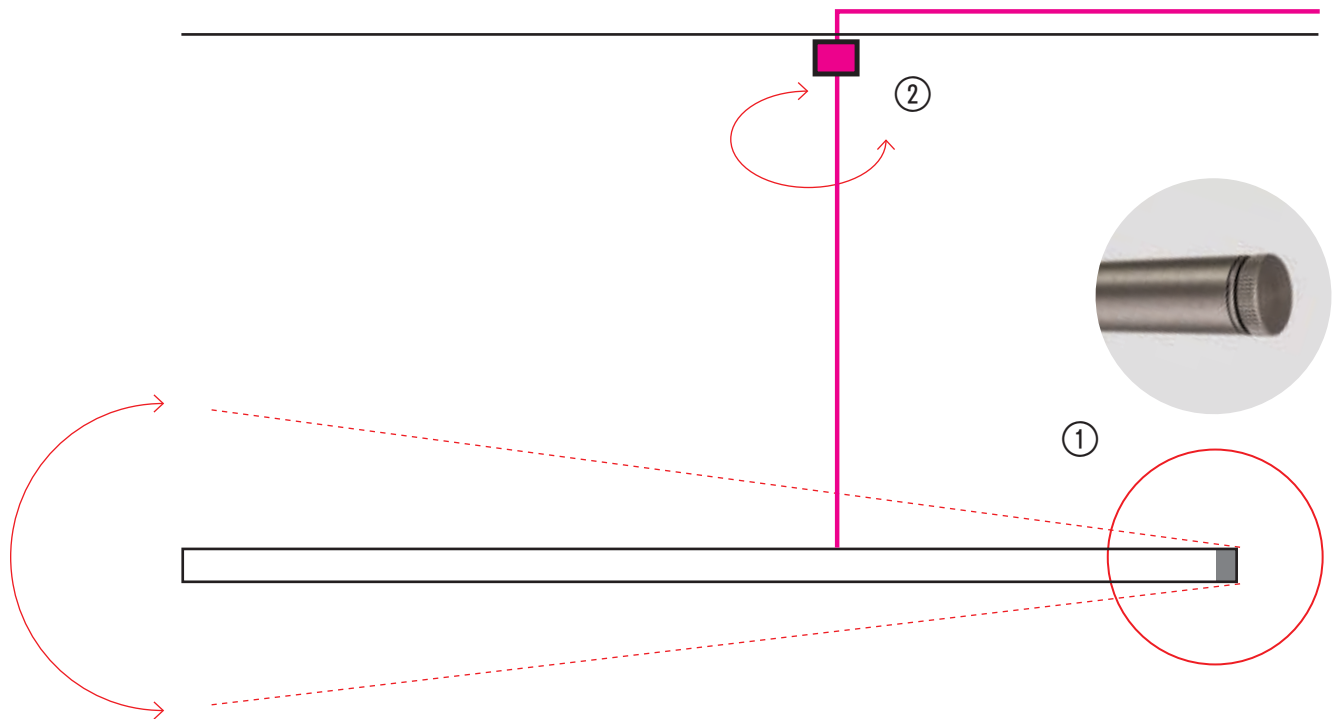


**Shortened cables may only be replaced by the manufacturer.**

Dimensions of external power supply units				For use with Mounting Version
Typ.	Size mm / inch			
	L	W	H	
DE 1F	360 x 150 x 85 mm / 14.2 x 5.9 x 3.3"			R
Input voltage for all external power supply units is <b>120 / 277 VAC 50/60 Hz</b>				

## PALITO

## Setting the lamp position



Due to the asymmetrical single point suspension, the luminaire has a desired freedom of movement.

After the initial adjustment of the light to the desired position, the luminaire body rotates by up to 15 - 20 degrees in horizontal and vertical direction due to normal external influences such as strong draughts and light touches.

After a short time and a few pendular movements, the luminaire always returns to the set starting position.

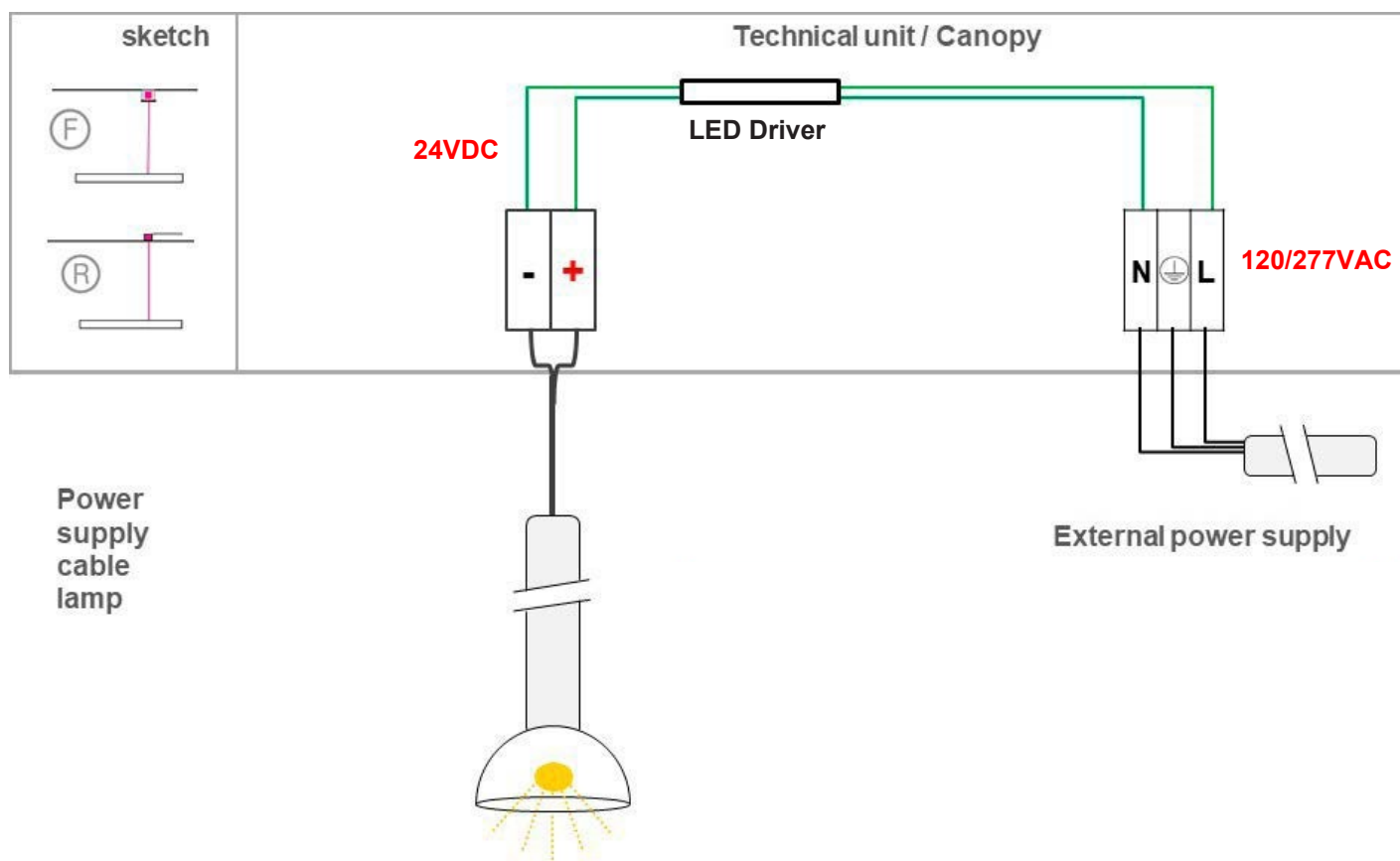
Extreme external influences, such as multiple rotations of the luminaire around itself can lead to a shift of the starting position.

**The vertical angle can be adjusted to the desired position by means of a knurled nut with a counter weight ①.**

**The horizontal alignment can be adjusted on the canopy ②.**

PALITO

circuit diagram



SATTLER	Anschlusschema / wiring diagramm	01_030_1x2a_palito	31.01.2019
---------	----------------------------------	--------------------	------------

We will be glad to assist you with any further questions regarding the assembly of our light fixtures.

**Contact: Inter-lux, 3741 Commerce Dr. #306-308, Baltimore, MD 21227. 410.381.1497 inter-lux.com**

Legal disclaimer: Please make sure to adhere to all safety instructions. Every single assembly step is crucial in order to ensure the safety of the light fixture and the technician. Inter-lux and SATTLER GmbH cannot be held liable for any damages or injuries in case of negligence of safety instructions.