

Assembly instruction

Updated: 5.2021

GIOCO Direct / Indirect

General remarks on safety

Read all of these instructions before installing fixtures.

- Keep all of the instructions for future reference.
- Turn off power before installing fixture.
- Installation is to be performed by a qualified electrician.
- All installations are to conform to the standards of National Electrical Code as well as all local jurisdictional codes and regulations.
- Any modification of the luminaire will void any and all written or implied warranties.
- Do not open the luminaire - this will void the IP rating
- The manufacturer accepts no responsibility for damage to persons or property arising through improper use or installation.

THIS PRODUCT MUST BE INSTALLED IN ACCORDANCE WITH THE APPLICABLE INSTALLATION CODE BY A PERSON FAMILIAR WITH THE CONSTRUCTION AND OPERATION OF THE PRODUCT AND THE HAZARDS INVOLVED



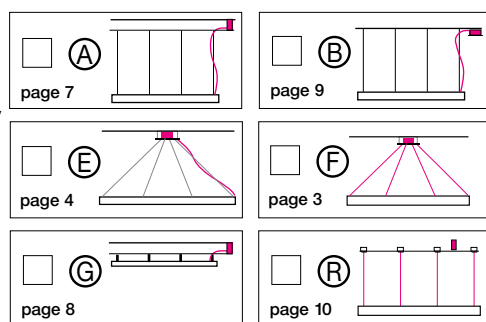
- Verify power is off at installation time.
- Injuries caused by electricity are possible

Technical Data:

Measurements: L x B x H mm / inches		Weight kg / lbs	Weight kg / lbs
		Lumiere	Canopy Power supply unit
1085 x 685 x 30	42.7 x 26.9 x 1.2"	2,8 / 6.17	5.0 / 11.0
1730 x 1085 x 30	68.1 x 42.7 x 1.2"	4,2 / 9.25	5.0 / 11.0
685 x 685 x 30	26.9 x 26.9 x 1.2"	2,2 / 4.85	5.0 / 11.0
1085 x 1085 x 30	42.7 x 42.7 x 1.2"	3,4 / 7.49	5.0 / 11.0
1730 x 1730 x 30	68.1 x 68.1 x 1.2"	5,2 / 11.46	5.0 / 11.0

Mounting version

Supply line 24 V



BOM

Package 1

	Part	Quantity
<input checked="" type="checkbox"/>	Aluminium housing with difusor and 4 steel cables	① 1 unit

Package 2

<input type="checkbox"/>	Canopy incl. Power supply unit	② 1 unit
<input type="checkbox"/>	External power supply unit	③ 1 unit
<input checked="" type="checkbox"/>	White gloves	④ 1 pair
<input checked="" type="checkbox"/>	Screwdriver	1 unit
<input checked="" type="checkbox"/>	Assembly instructions	1 unit
<input type="checkbox"/>	Cavity boxes mounting version R	unit
<input type="checkbox"/>	Not dimmable	
<input type="checkbox"/>	DMX interface	
<input type="checkbox"/>	Dimmer interface 0-10V	
<input type="checkbox"/>	Dimmer interface 1-10V	
<input type="checkbox"/>	DALI interface	
<input type="checkbox"/>	LUTRON interface	
<input type="checkbox"/>	Bluetooth interface	
<input type="checkbox"/>	Enocan interface	



Assembly instruction

Updated: 5.2021

GIOCO Direct / Indirect

Warranty

Use the enclosed assembly instructions for the installation of the lighting fixture. Non-compliance with the assembly instruction will automatically void the warranty.

The persons assigned with the installation of the product are instructed to handle it with the utmost care and safety in order to avoid damages to third parties.

The present light fixture has been tested and is fully operational.

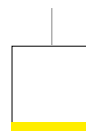


Combination with 4 GIOCO lumieres, mounting version [®]



GIOCO Direct, detail

GIOCO - lighting options



DIRECT



INDIRECT



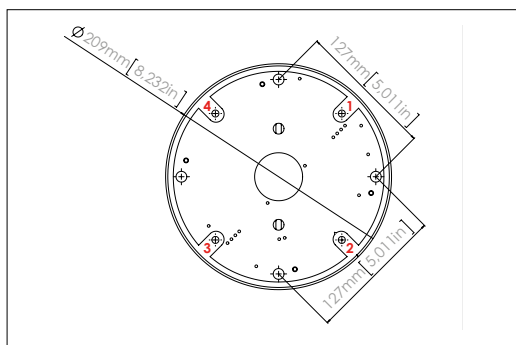
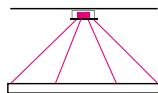
Consignment consists of 1 package

Unpack light fixture and check the parts list (p. 1) to make sure it is complete. Use the provided gloves for fitting the light fixture in order to keep anodised surfaces and the acrylic glass clean.

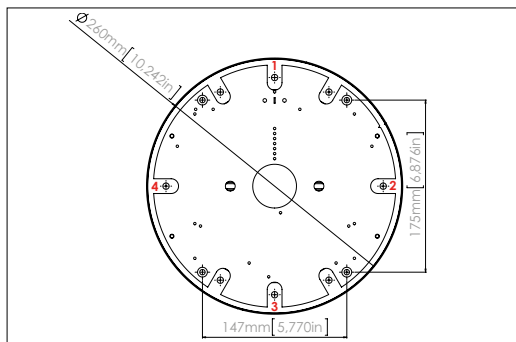
Assembly instruction

Updated: 5.2021

GIOCO Direct / Indirect



DB 230 Canopy Ø body 210 mm / 10.2" with 4 steel cables



DB 290 Canopy Ø body 260 mm / 10.2" with 4 steel cables



① Cable gripper with lock nut



Canopy with mounted cover

Light fixture with canopy – Connection of the light fixture with current-carrying steel cables



Mounting of the canopy



Make sure the ceiling has sufficient load-carrying capacity!

1. Fit the base of the canopy to the ceiling with the 4 mounting points. Ø Drill 6mm / 1/4" holes and anchor to fasten canopy to ceiling (see scale sketch on the left).
2. Connect the power supply and the control signal to the terminal block of the canopy (see wiring diagram F, page 12).

Connection of the light fixture

3. Fix light fixtures with 4 cables to the canopy at the provided cable grippers ①.



Consider the polarity of the current-carrying cables in accordance with the markings on the light fixture and the canopy.

4. Lift the light fixture in its desired position and adjust by applying light pressure on the steel cable grippers. Observe minimum / maximum suspension height on page 5.



Never adjust the suspension under pressure. The steel cables might get damaged.

5. When the final position of the light fixture is determined, fix the lock nut and shorten excessive steel cables in the canopy. If you want to change the height of the luminaire later, it is also possible to insulate the steel cables inside the canopy.



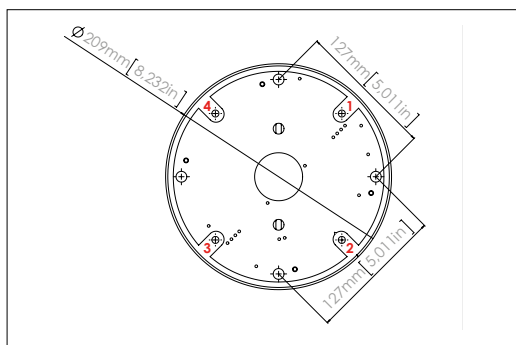
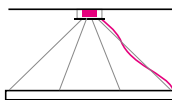
Shortened cables can only be replaced by the factory!

6. Mount the canopy cover and fasten it with screws from the side.
7. Check whether the light fixture is functioning.

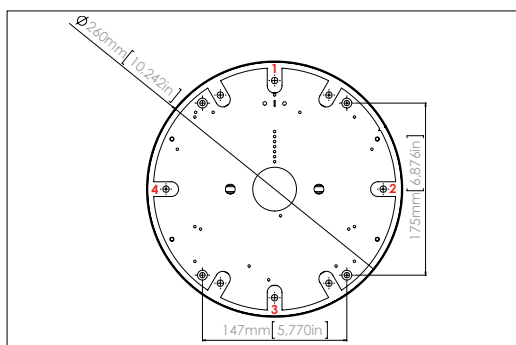
Assembly instruction

Updated: 5.2021

GIOCO Direct / Indirect



DB 230 Canopy Ø body 210 mm / 10.2" with 4 steel cables



DB 290 Canopy Ø body 260 mm / 10.2" with 4 steel cables



① Cable gripper with lock nut



Canopy with mounted cover

Light fixture with canopy – Connection of the light fixture with separate power supply cable



Mounting of the canopy



Make sure the ceiling has sufficient load-carrying capacity!

1. Fit the base of the canopy to the ceiling with the 4 mounting points. Ø Drill 6mm / 1/4" holes and anchor to fasten canopy to ceiling (see scale sketch on the left).
2. Connect the power supply and the control signal to the terminal block of the canopy (see wiring diagram from page 12).

Connection of the light fixture

3. Fix light fixtures with 4 cables to the canopy at the provided cable grippers ①.
4. Lift the light fixture in its desired position and adjust by applying light pressure on the steel cable grippers. Observe minimum / maximum suspension height on page 5.



Never adjust the suspension under pressure. The steel cables might get damaged.

5. When the final position of the light fixture is determined, fix the lock nut and shorten excessive steel cables in the canopy. If you want to change the height of the luminaire later, it is also possible to insulate the steel cables inside the canopy.



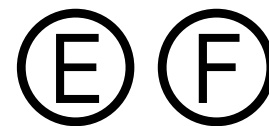
Shortened cables can only be replaced by the factory!

6. Insert the power supply line through the side of the ceiling plate and connect it to the terminal block in accordance with the wiring diagram E (from p.12)
7. Mount the canopy cover and fasten it with screws from the side.
8. Check whether the light fixture is functioning.

Assembly instruction

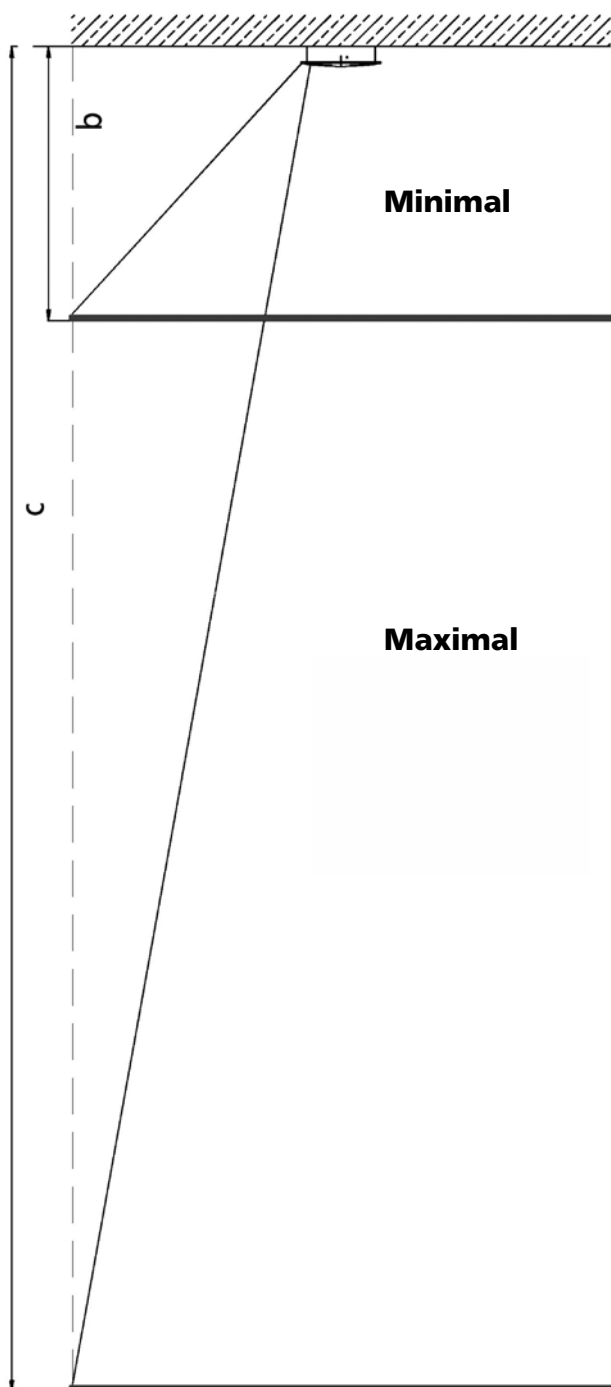
Updated: 5.2021

GIOCO Direct / Indirect



Light fixture with canopy

minimum (b) respectively maximum (c) ceiling suspension



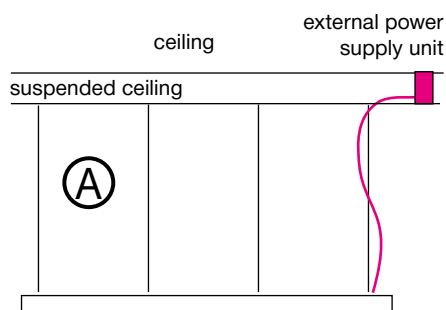
Quadra 685 x 685 mm = 402 mm / 15.83"
Quadra 1085 x 1085 mm = 682 mm / 26.85"
Quadra 1730 x 1730 mm = 1136 mm / 44.72"
Square 685 x 1085 mm = 540 mm / 21.26"
Square 1085 x 1730 mm = 919 mm / 36.18"

Quadra 685 x 685 mm = 1939 mm / 76.34"
Quadra 1085 x 1085 mm = 2883 mm / 113.50"
Quadra 1730 x 1730 mm = 4714 mm / 185.59"
Square 685 x 1085 mm = 3743 mm / 147.36"
Square 1085 x 1730 mm = 4714 mm / 185.59"

Assembly instruction

Updated: 5.2021

GIOCO Direct / Indirect



The cable exit angle at the nozzle must not be more than 10° in any case.

max. 10°

⑤

max. 10m / 33 feet

Power supply unit DE 1F
(up to Ø 1500) L/W/H
360 x 150 x 85 mm
14.7 x 5.9 x 3.3"

W
H
L

The measurements of the power supply unit may vary depending on light fixture configuration.

Light fixture with steel cable suspension – Connection of the light fixture with external power supply unit



Mounting of the cable grippers, installation of the light fixture



Make sure the ceiling has sufficient support capacity!

1. Mark the 4 anchor positions of the light fixture on the ceiling according to the drilling template on page 10 (observe different measurements).
2. Drill Ø 6mm / 1/4 holes, insert anchors and fasten steel cable holders, see pictures ① - ③ .



The steel cable grippers cannot be used for outdoor areas. Make sure cables are not damaged. Prior to mounting, the nozzle of the steel cable bracket has to have noticeable spring pressure. In order to ensure full suspension, the steel cables have to be clean and free from greases, oils and rust. The steel cable grippers can only be used in connection with the provided fixation cables for stationary and static loads, see picture ⑤

3. Insert the cables which have been pre-attached to the light fixture in the steel cable grippers.
4. Lift the light fixture in its desired position and adjust by applying light pressure on the steel cable grippers.
5. If provided, lock the steel cable grippers in place by use of the insulated knurled screw.
6. Shorten excessive steel cables.



Shortened cables can only be replaced by the factory!

Assembly of the operating unit, connection to light fixture



Mount external power supply unit only in a dry and aerated place!

Power supply cable from the operating unit to the light fixture max. 10m / 33 feet

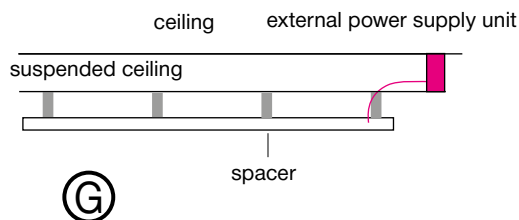
Assembly of external power supply vertically or horizontally (see sketch)

7. Open the housing of the operating unit by loosening the 4 screws.
8. Fasten operating unit sufficiently.
9. Connect primary connection and power supply cable of the light fixture according to the wiring diagram (from p.12), then fasten the housing of the operating unit again.
10. Check whether the light fixture is functioning.

Assembly instruction

Updated: 5.2021

GIOCO Direct / Indirect



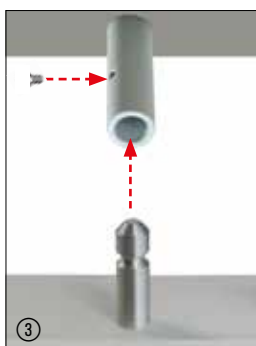
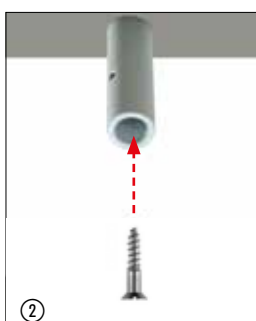
Direct ceiling mounting – Connection of the light fixture with external power supply unit

Mounting of the ceiling support



Make sure the ceiling has sufficient support capacity!

1. Mark the 4 anchor positions of the light fixture on the ceiling according to the drilling template page 11 (observe different measurements).
2. Drill Ø 6mm / 1/4 holes, insert anchors and fasten ceiling spacers (50 mm), see pictures ① + ② .
3. Insert the bolts which have been pre-attached to the light fixture, in the ceiling spacer.
4. Fasten with the locking screw on the side ③.



Assembly of the operating unit, connection to light fixture

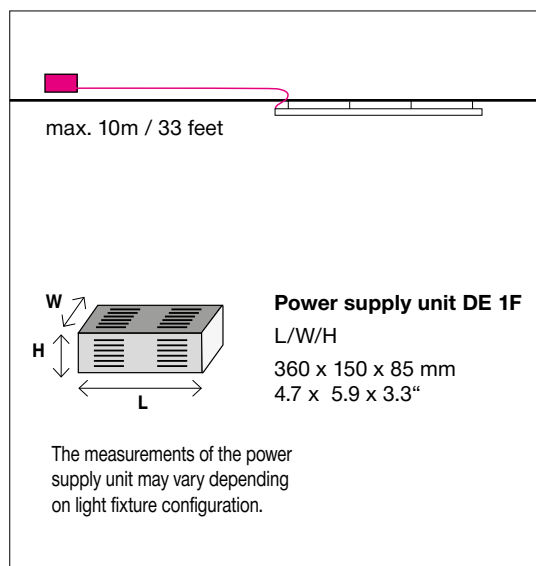


Mount operating unit only in a dry and aerated place!

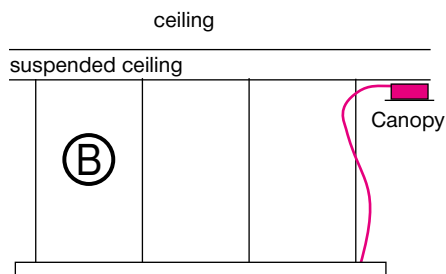
Power supply cable from the operating unit to the light fixture max. 10m / 33 feet

Fixation of power supply unit unit vertically or horizontally (see sketch)

5. Open the housing of the operating unit by loosening the 4 screws.
6. Fasten power supply unit sufficiently.
7. Connect primary connection and power supply cable of the light fixture according to the wiring diagram (p. 12), then fasten the housing of the operating unit again.
8. Check whether the light fixture is functioning.



GIOCO Direct / Indirect



Light fixture with steel cable suspension – Connection of the light fixture with external canopy



Mounting of the cable grippers, installation of the light fixture



Make sure the ceiling has sufficient support capacity!

1. Mark the 4 anchor positions of the light fixture on the ceiling according to the drilling template on page 11.
2. Fasten steel cable grippers to the ceiling ① - ③



The steel cable grippers cannot be used for outdoor areas. Make sure cables are not damaged. Prior to mounting, the nozzle of the steel cable bracket has to have noticeable spring pressure. In order to ensure full suspension, the steel cables have to be clean and free from greases, oils and rust. The steel cable grippers can only be used in connection with the provided fixation cables for stationary and static loads, see picture ③.

3. Insert the cables which have been pre-attached to the light fixture in the steel cable grippers.
4. Lift the light fixture in its desired position and adjust by applying light pressure on the steel cable grippers.
5. If provided, lock the steel cable grippers in place by use of the insulated knurled screw.
6. Shorten excessive steel cables.

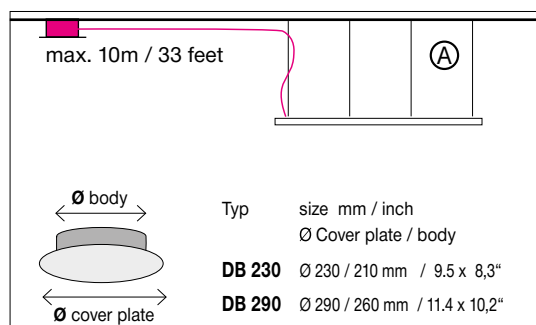
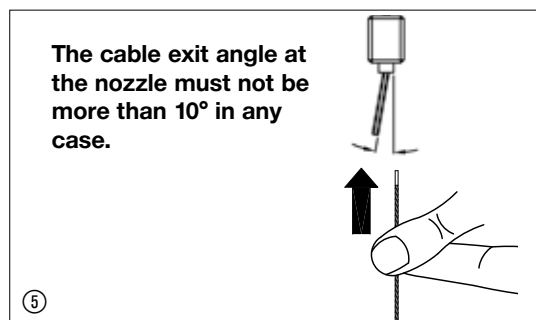


Shortened cables can only be replaced by the factory!

Assembly of the canopy, connection to light fixture



Power supply cable from the operating unit to the light fixture max. 10m / 33 feet

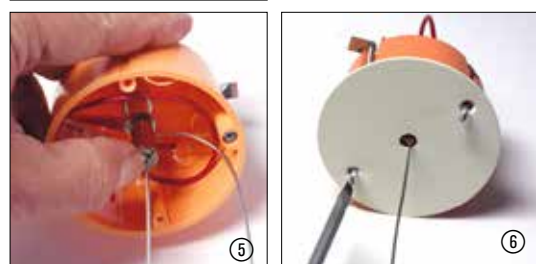
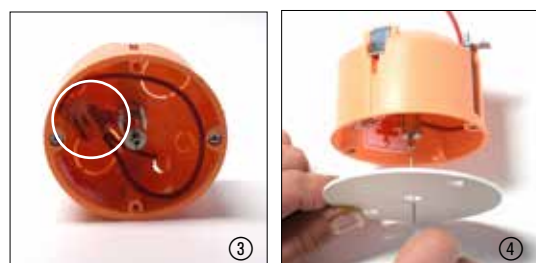
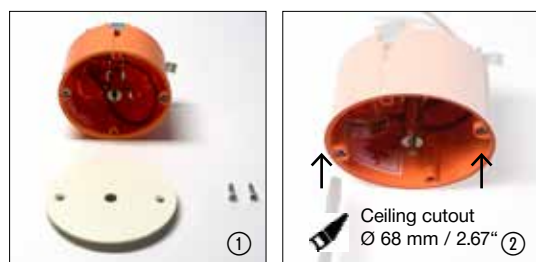
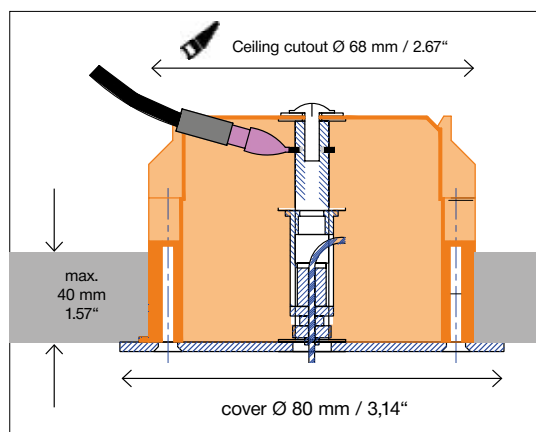
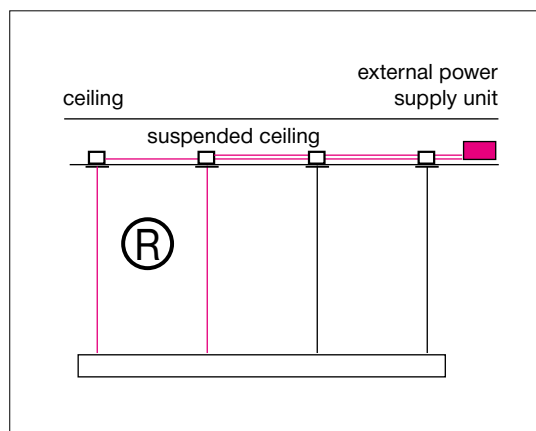


7. Mark the 4 anchor positions of the canopy on the ceiling according to the scale sketch (page 3) Drill Ø 6mm / 1/4 holes, insert anchors and fasten canopy.
8. Connect primary connection in accordance with the wiring diagram B (from p.12).
9. Insert the power supply cable that has been pre-attached to the light fixture in the side of the canopy and connect to the terminal block according to wiring diagram B (from p.12).
10. Mount canopy cover and fasten with screws from the side.
11. Check whether the light fixture is functioning.

Assembly instruction

Updated: 5.2021

GIOCO Direct / Indirect



Light fixture with current-carrying steel cables, cavity boxes and external power supply unit.



Mounting of the cavity boxes with integrated steel cable grippers.



Make sure the ceiling has sufficient load-carrying capacity!

1. Mark the 4 positions of the cavity boxes on the ceiling according to the drilling template on page 11.
2. Cut out a ceiling cavity with \varnothing 68 mm / 2.67" ②.
3. Connect the enclosed secondary supply cable to the cavity box ③ and connect the cable to the canopy (max. 3m). Observe connection diagram R (from p.12) and marking on luminaire.
4. Attach the cavity box to the ceiling with 2 cross-recessed screws (the thickness of the ceiling must be max. 40 mm / 1.57").
5. Insert the steel cables (which are already mounted on the fixture) through the hole in the cover plate in the cable grippers ④.
6. Lift the light fixture in the requested position and adjust by applying slight pressure on the steel cable grippers ⑤.
7. Shorten excessive steel cables.



Shortened cables can only be replaced by the factory!



The steel cable grippers cannot be used for outdoor areas. Make sure cables are not damaged. Prior to mounting, the nozzle of the steel cable bracket has to have noticeable spring pressure. In order to ensure full suspension, the steel cables have to be clean and free from grease, oil and rust. The steel cable grippers can only be used in connection with the provided fixation cables for stationary and static loads.

8. Fix cover with two screws ⑥.

Assembly instruction

Updated: 5.2021

GIOCO Direct / Indirect

Light fixture with current-carrying steel cables, cavity boxes and external power supply unit.



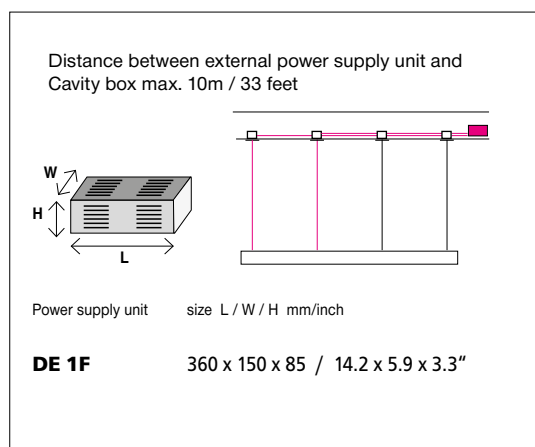
Assembly of the power supply unit, connection to cavity boxes



Mount external power supply unit only in a dry and well-ventilated place!

Installation in suspended ceiling, maximum distance to cavity box 10 m / 33 feet.

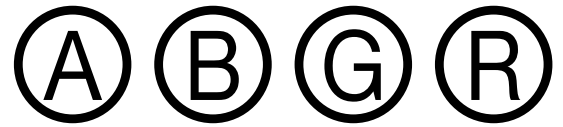
9. Connect the primary connection according to the connection diagram (from p.12).
10. Fix power supply unit sufficiently.
11. Insert the supply cable at the side of the power supply unit and connect it to the terminal block according to connection diagram R (from p.12).
12. Check whether the light fixture is functioning.
13. Attach the power supply unit cover and fix it with screws on the side.



Assembly instruction

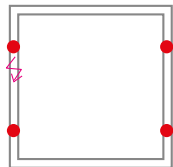
Updated: 5.2021

GIOCO Direct / Indirect

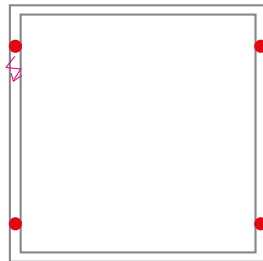


**Light fixtures with steel cable suspension
or spacer sleeves**

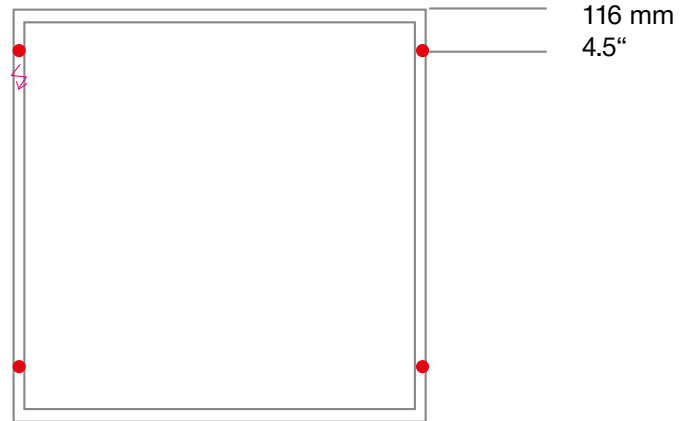
4 anchor points for suspension



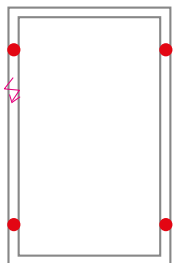
685 x 685mm
26.9 x 26.9"



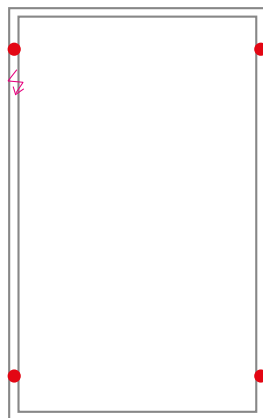
1085 x 1085mm
42.7 x 42.7"



1730 x 1730mm
68.1 x 68.1"



1085 x 685 mm
42.7 x 26.9"

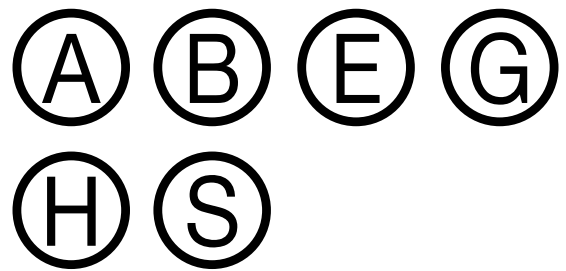


1730 x 1085 mm
68.1 x 42.7"

Assembly instruction

Updated: 5.2021

GIOCCO Direct / Indirect

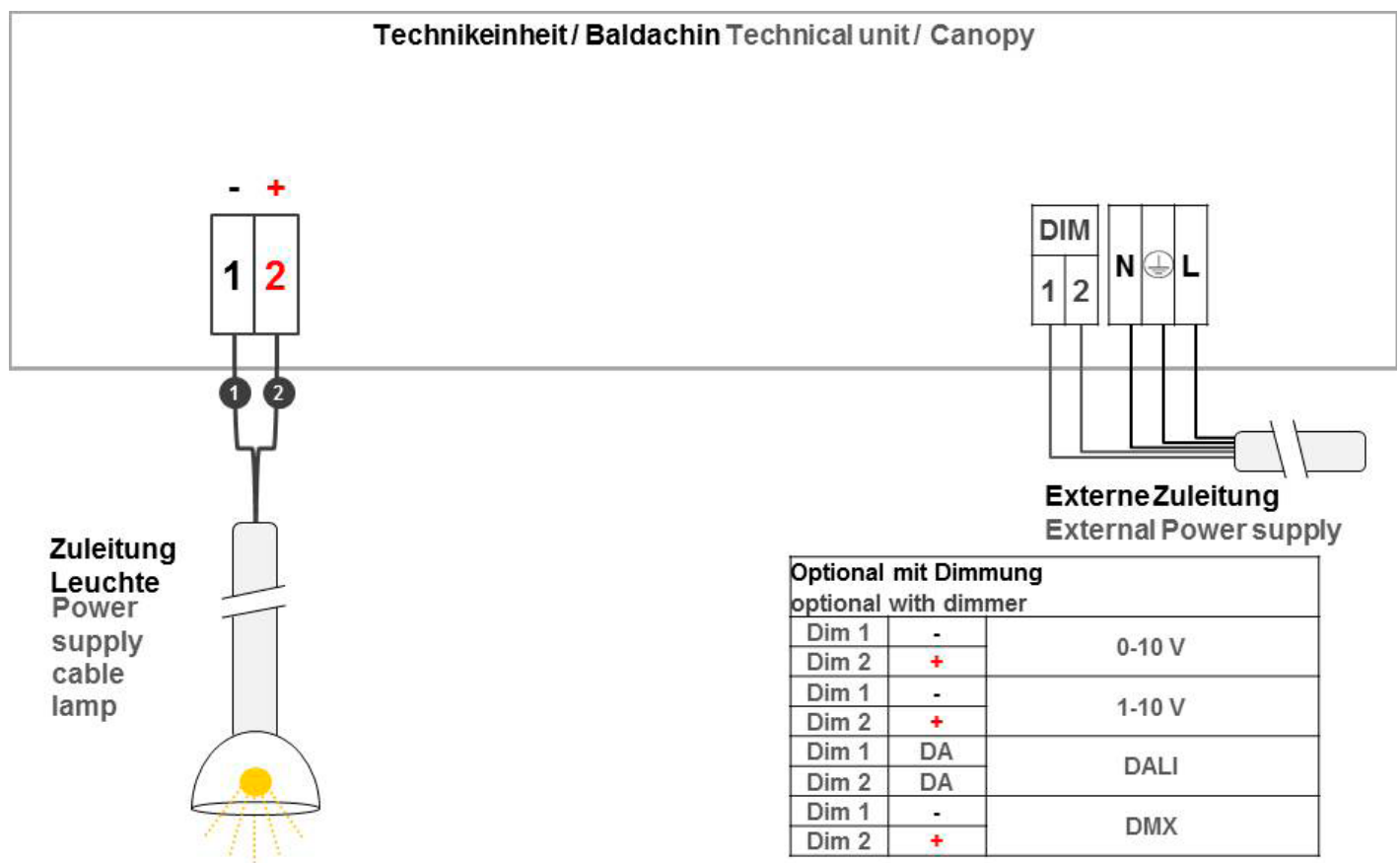


Anschlussschema 1 x LED weiß direkt

Ø 900, 1240, 1550, 1900 mm

North America: ETL

Ø 900, 1240, 1550 mm



SATTLER	Anschlussschema / wiring diagramm	01_001_1x2a_2W	17.11.2017
----------------	-----------------------------------	----------------	------------

We will be glad to assist you with any further questions regarding the assembly of our light fixtures.

Contact: Inter-lux, 3741 Commerce Dr. #308, Baltimore, MD 21227. 410.381.1497 inter-lux.com

Legal disclaimer: Please make sure to adhere to all safety instructions. Every single assembly step is crucial in order to ensure the safety of the light fixture and the technician. Inter-lux and SATTLER GmbH cannot be held liable for any damages or injuries in case of negligence of safety instructions.