

WARNING:
INSTALL PRODUCT IN ACCORDANCE WITH LOCAL AND NATIONAL ELECTRICAL CODES BY A QUALIFIED ELECTRICIAN.

WARNING:
FAILURE TO COMPLY WITH THE INSTALLATION INSTRUCTIONS MAY RESULT IN DEATH OR SERIOUS INJURY

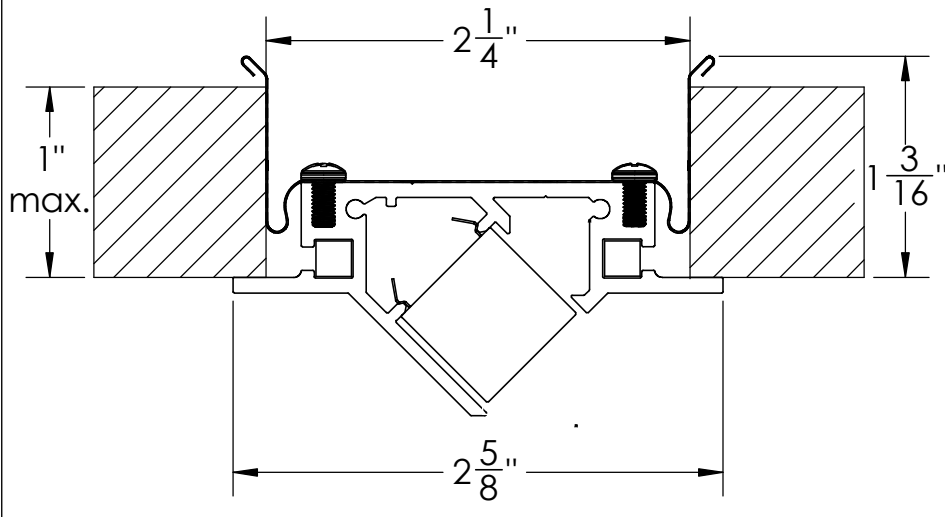
WARNING:
READ ALL SAFETY INSTRUCTIONS INCLUDED WITH LUMINAIRE BEFORE INSTALLING LUMINAIRE AND SAVE INSTRUCTIONS FOR FUTURE USE.

CAUTION:
THIS IS AN ELECTRONIC DEVICE. CARE MUST BE TAKEN DURING STORAGE AND HANDLING. STORE IN A CLEAN, COOL AND DRY LOCATION. ELECTROSTATIC DISCHARGE (ESD) CAN HARM THIS PRODUCT. AVOID STATIC DISCHARGE WHILE HANDLING THIS PRODUCT.

CAUTION:
INTER-LUX IS NOT RESPONSIBLE FOR THE STRUCTURAL INTEGRITY OF THE BUILDING TO SUPPORT THE LUMINAIRE. ADDITIONAL BACKING MAY BE REQUIRED.

MOUNTING DIMENSIONS

Note: For Accessible Ceilings



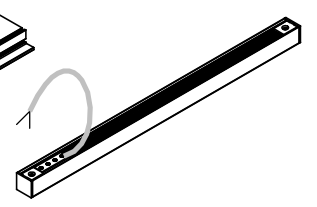
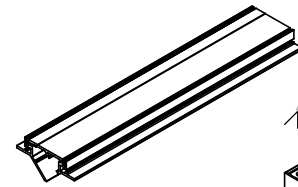
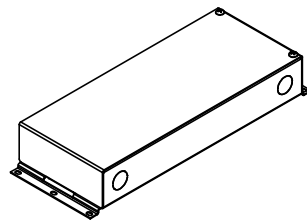
PACKAGE INCLUDES:

Refer to Package List to Identify parts

Remote Driver Box (A)

Housing (B)

Luminaire (C)

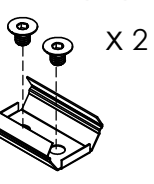
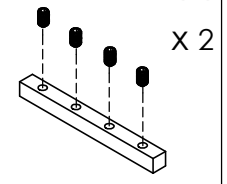
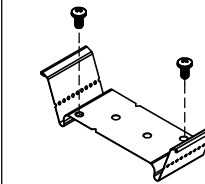
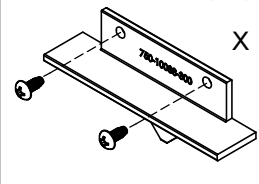


End Cap (D)

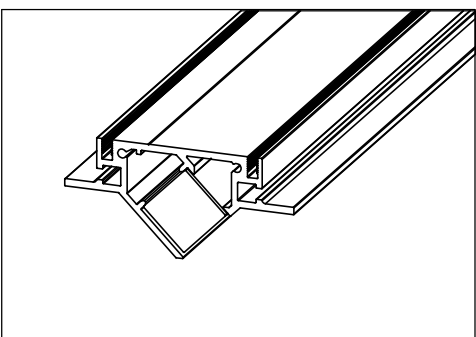
Spring Clip (E)

Joiner Kit (F)

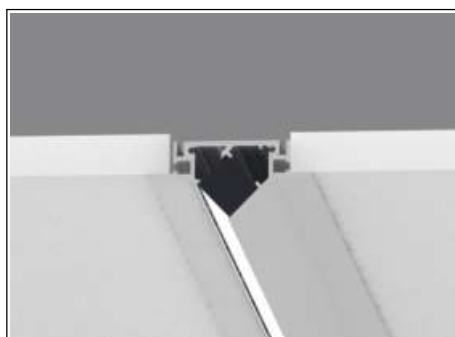
Clip (G)



ISOMETRIC VIEW



RENDERING



ITEMS NEEDED (SUPPLIED BY OTHERS):

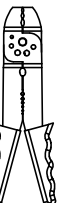
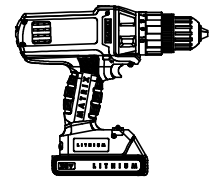
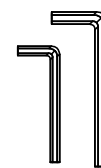
Phillips Head #1 Screwdriver

1.5 and 2 mm Hex head Allen Keys

Wire Connector

Drill

Wire Strippers

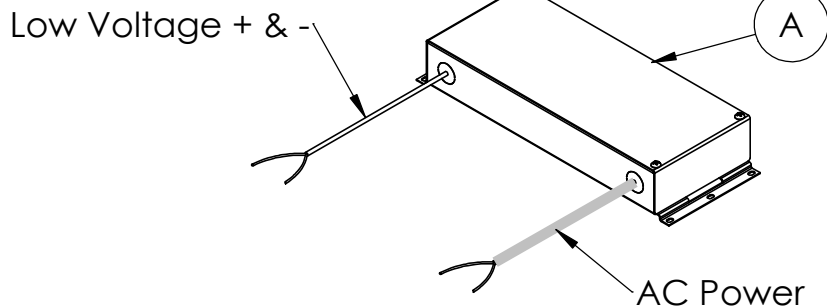


INSTALLATION INSTRUCTIONS

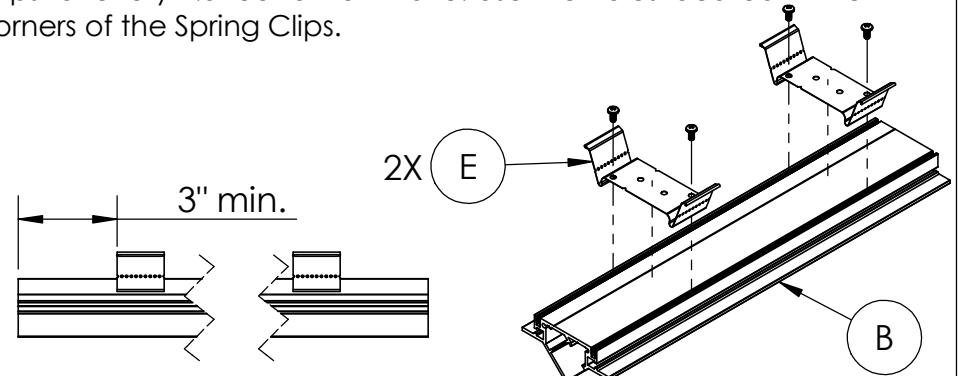
LOCATE AND REVIEW ANY CONSTRUCTION PLANS AND INTER-LUX RECORD DRAWINGS FOR ALL FIXTURE RUNS.

It is recommended to locate and lay out all components for each fixture "run". A fixture run typically consist of joiners, lengths of housing, and endcaps. BE SURE TO IDENTIFY ALL CORRECT LENGTHS FOR EACH FIXTURE RUN.

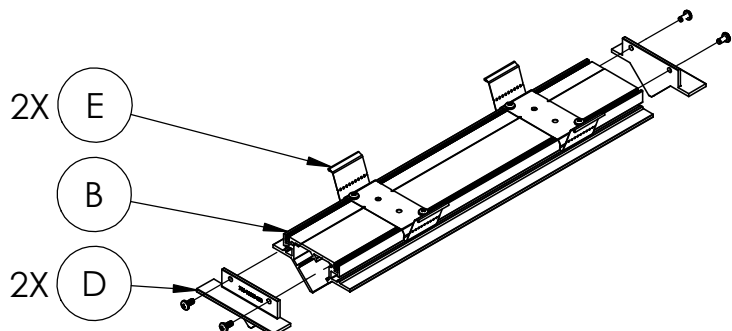
Step 1; Remote Driver Box: Turn off Power before installing. Install Remote Driver Box (A), make connections to AC power and Low Voltage cables. Then run Low Voltage cables to desired position of fixtures.



Step 2; Install Spring Clips: For stand alones, secure minimum of two Spring Clips (E) to Housing (B), at least 3" from each end by using provided screws. For continuous fixtures, use one additional Spring Clips for every 2.5 feet of Luminaire. Use the holes located in the corners of the Spring Clips.

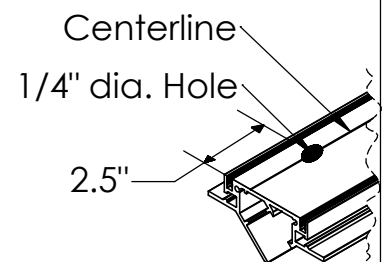
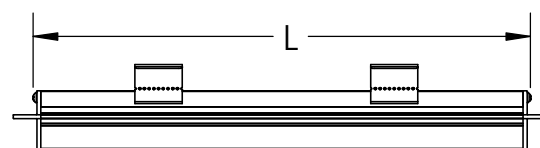


Step 3; Install End Caps: If your order is comprised of stand alone fixtures, they will come with End Caps (D) pre-installed. If it is a continuous run, you will need to install the provided End Caps (D) in the field, at the end of each run of housing (B) by using provided screws.

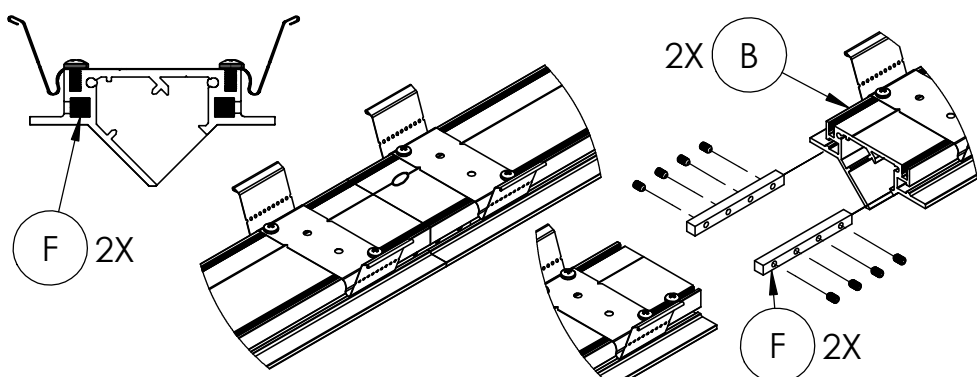


Step 4; Prepare the ceiling and housing for installation: Prepare installation opening by cutting proper size opening on the ceiling. Cut out dimensions are listed below. Drill a 1/4" hole on the surface of housing along centerline of housing 2-1/2" away from one end as shown below.

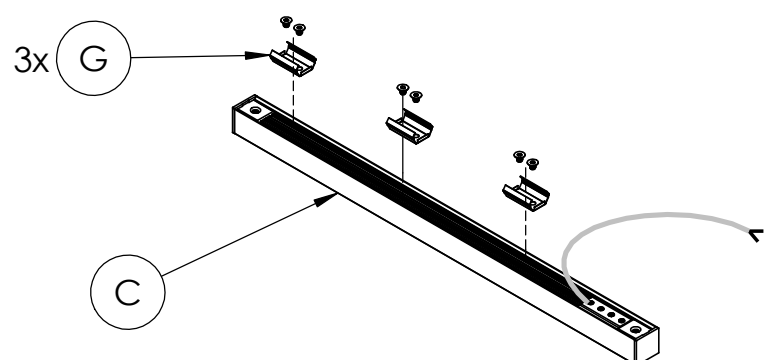
Width : 2-1/4"
Length : Overall length of fixture
Depth : 1" max. and 0.3" min.



Step 5; Install Joiners: If your order consists of stand alone fixtures, skip this step. If not, connect Housings (B) to each other using supplied Joiner Kits (F). Slide pins into square holes and push Housings (B) together, then center Joiner on joint and drive screws in Joiner as shown below.



Step 6; Luminaire Assembly: Fasten three evenly spaced Clips (G) on the cable side of Luminaire (C) by using provided screws. Make sure two screws are used per Clip (G).



WARNING:
INSTALL PRODUCT IN ACCORDANCE WITH LOCAL AND NATIONAL ELECTRICAL CODES BY A QUALIFIED ELECTRICIAN.

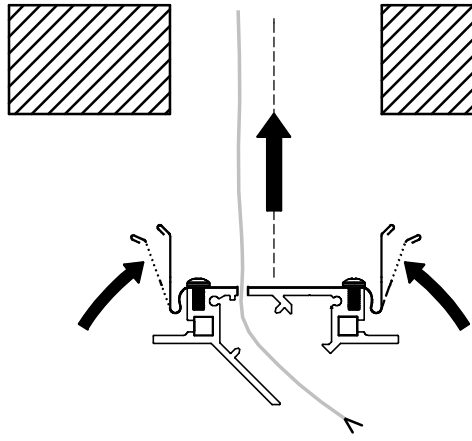
WARNING:
FAILURE TO COMPLY WITH THE INSTALLATION INSTRUCTIONS MAY RESULT IN DEATH OR SERIOUS INJURY.

WARNING:
READ ALL SAFETY INSTRUCTIONS INCLUDED WITH LUMINAIRE BEFORE INSTALLING LUMINAIRE. SAVE INSTRUCTIONS FOR FUTURE USE.

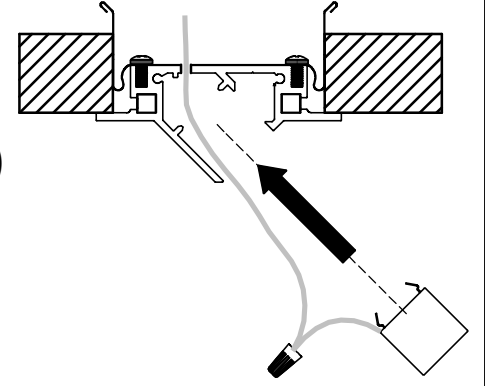
CAUTION:
THIS IS AN ELECTRONIC DEVICE. CARE MUST BE TAKEN DURING STORAGE AND HANDLING. STORE IN A CLEAN, COOL AND DRY LOCATION. ELECTROSTATIC DISCHARGE (ESD) CAN HARM THIS PRODUCT. AVOID STATIC DISCHARGE WHILE HANDLING THIS PRODUCT.

CAUTION:
INTER-LUX IS NOT RESPONSIBLE FOR THE STRUCTURAL INTEGRITY OF THE BUILDING TO SUPPORT THE LUMINAIRE. ADDITIONAL BACKING MAY BE REQUIRED.

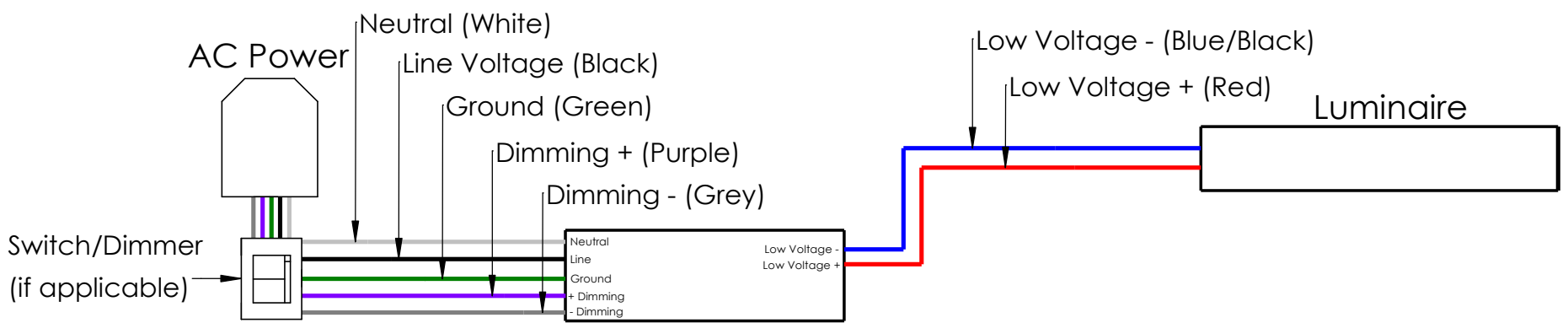
Step 7; Wiring Assembly: Insert the low voltage cable of Remote driver (A) through the hole created in step 4 from top. Compress the Spring Clips (E) from sides and gently push the fixture into ceiling opening.



Step 8; Fixture Final Assembly: Connect the wires of Luminaire to Low voltage cable of Driver (A) by using wire connector. Then, gently insert the Luminaire into Housing (B) until it snaps properly into housing. The wire connector should fit the space between Luminaire (C) and Housing (B). If possible, arrange Luminaire (C) lenses so that they overlap fixture joints. Finally, power and test the fixture for proper operation. Please see mounting dimensions diagram in page 1 in order to see completely installed fixture.



Wiring Key



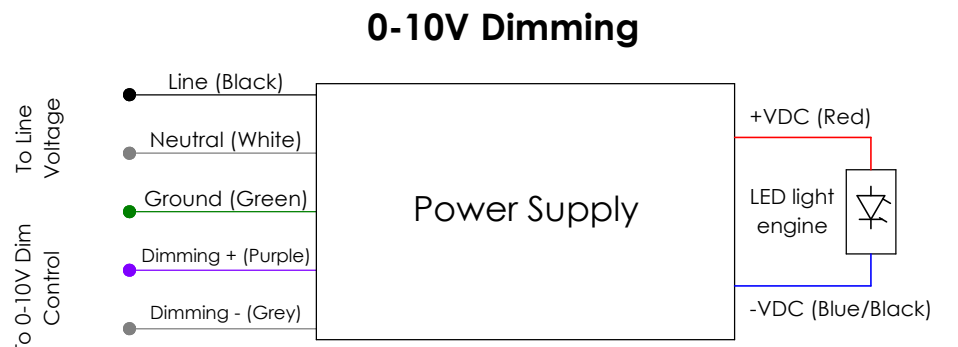
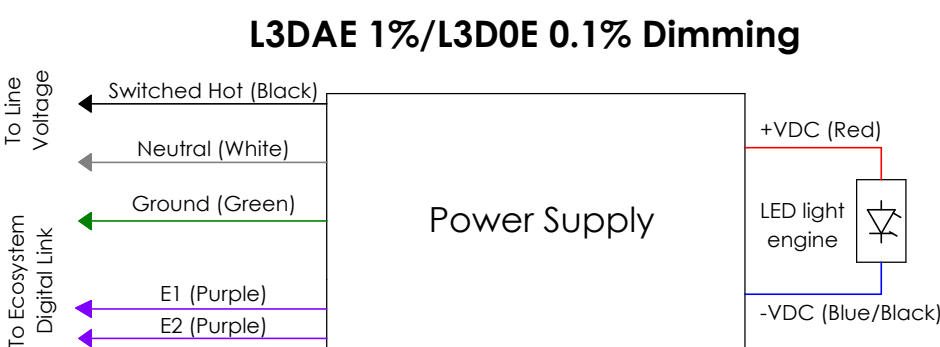
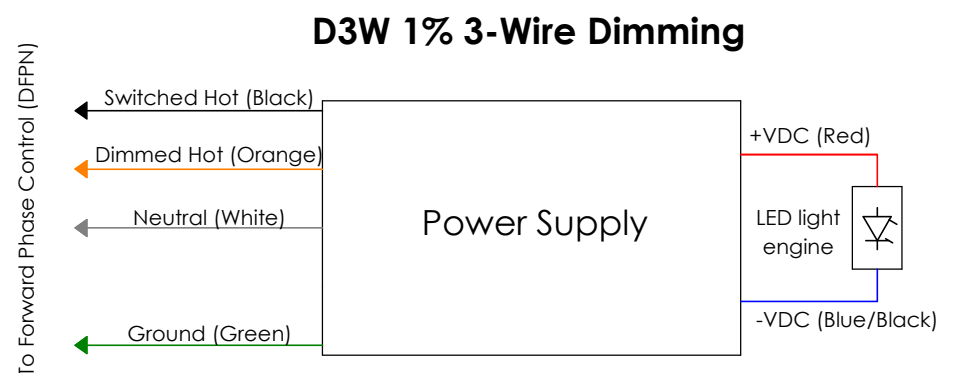
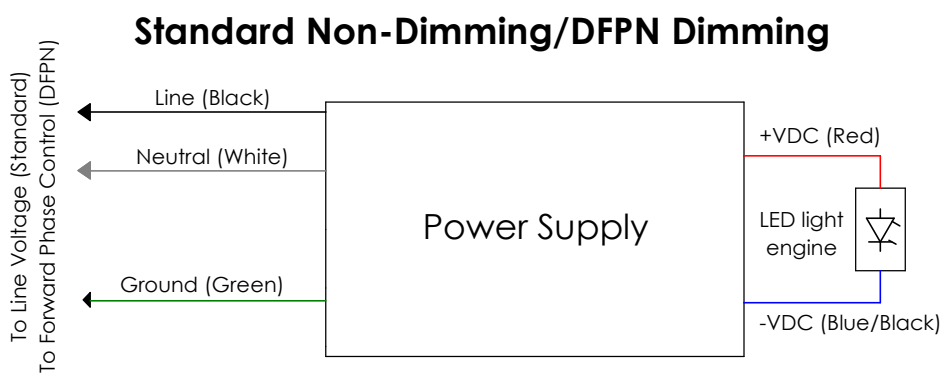
| | | | | | | |
|----------|------------|--------|-------|---------|-----------|-----------|
| Red | Blue/Black | Green | Black | White | Purple | Grey |
| Positive | Negative | Ground | Line | Neutral | Dimming + | Dimming - |

Maximum Wiring Distance*

| Wire Gauge | Maximum Lead Length | | | |
|------------|---------------------|-------|--------|-------|
| | Osram | | Lutron | |
| | ≤ 48W | ≤ 72W | ≤ 96W | ≤ 40W |
| #18AWG | 37' | 25' | 18' | 15' |
| #16AWG | 59' | 39' | 29' | 25' |
| #14AWG | 95' | 63' | 47' | 40' |
| #12AWG | 151' | 101' | 75' | 60' |

*Actual Voltage drop to be calculated by installer

Driver Wiring Diagrams



NOTE: ALL SHOWN DRIVERS ARE INTER-LUX PROVIDED. FOR NON INTER-LUX PROVIDED DRIVERS PLEASE REFER TO DRIVER MANUFACTURERS. THE USE OF NON INTER-LUX PROVIDED DRIVERS VOIDS PRODUCT WARRANTY.