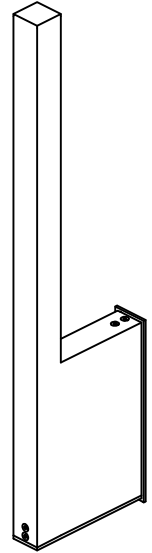
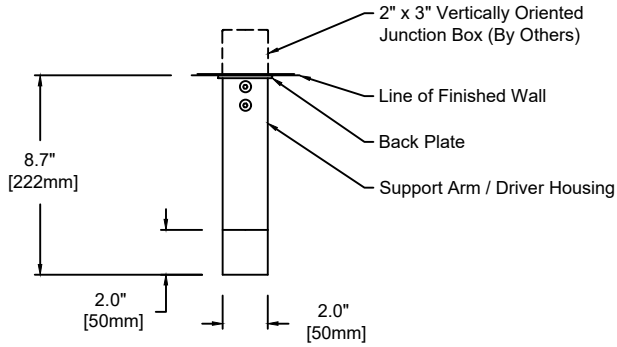
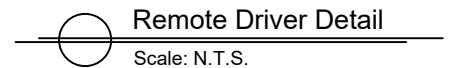
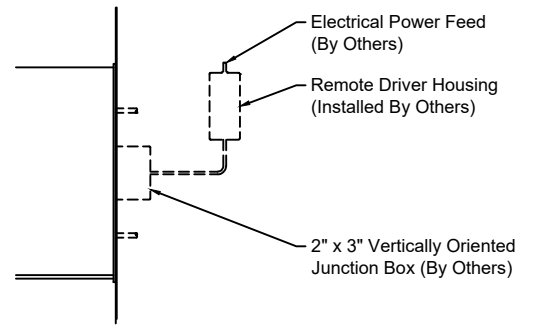
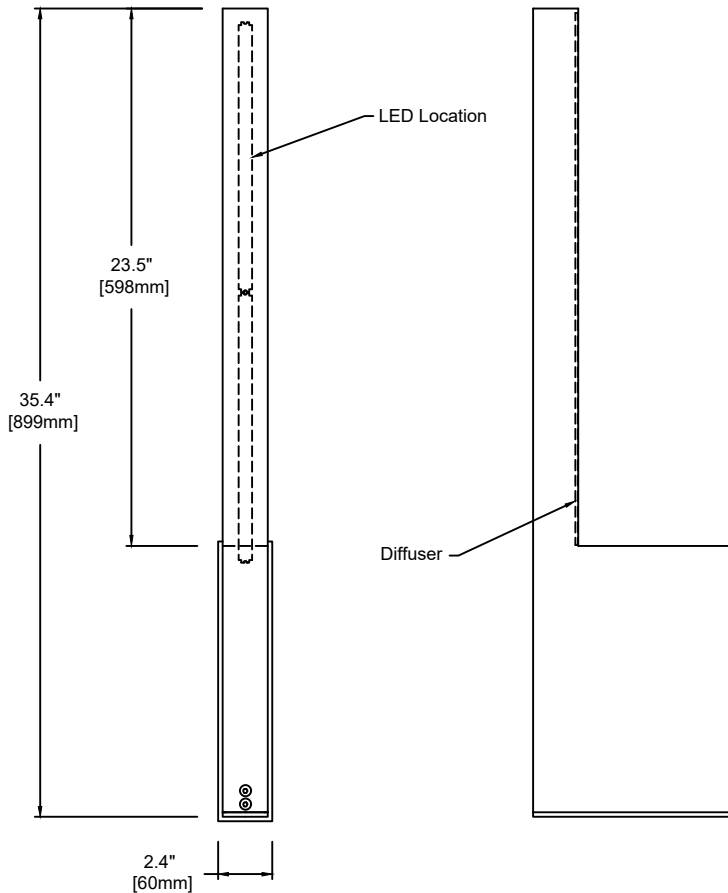


Nordik

TECHNICAL SHEET



PERSPECTIVE VIEW



Note - Remote Driver:
L3D0E - Lutron Hi-Lume
Premier 0.1% EcoSystem - Only

1/4-20 Mounting Bolt (2)
(By Others)

Wet Location
Fixture Weight : 13 lbs

2549	W	35	M	830	U	S	SW	19
Model	Type	Size	Wattage	Color Temp	Voltage	Control	Diffuser	Finish
	W - Wall	35"	L M H	827 - 2,700K 830 - 3,000K 835 - 3,500K 840 - 4,000K	1 - 120 VAC only U - 120/277 V	S D010 DFPN L3DAE L3D0E	SW - Satin Opal Acrylic	19 - Painted Anodized Aluminum - RAL 9006 Matte 21 - Painted White - RAL 9010 Matte 26 - Painted Black - RAL 9005 Matte 22 - Painted Custom Color

Wattage and Control

Control (Integral):
S - Non-Dim
D010 - 0-10V 10%
DFPN - Lutron Forward Phase 1%, 120VAC
L3DAE - Lutron Hi-Lume 1% EcoSystem

Wattage "L" - 6 Watt
2,700K - 800 lm
3,000K - 800 lm
3,500K - 832 lm
4,000K - 848 lm

Wattage "H" - 20 Watt
2,700K - 2,348 lm
3,000K - 2,348 lm
3,500K - 2,444 lm
4,000K - 2,492 lm

Remote Driver:
Max. wiring distance / Load
Lutron
Wire Gauge ≤96W
#18AWG 25'
#16AWG 40'
#14AWG 60'

Control (Remote 24V):
L3D0E - Lutron Hi-Lume Premier 0.1% EcoSystem

Wattage "M" - 12 Watt
2,700K - 1,486 lm
3,000K - 1,486 lm
3,500K - 1,548 lm
4,000K - 1,578 lm

Technical Data:
Form - linear, Operating voltage: 24VDC
Color rendering index Ra min: 82 CRI, Available in 90 CRI
Viewing angle: 110°
Lifetime - L70: 60,000h
Working temperature: -20°C to 60°C (-4°F to 140°F)

inter•lux

