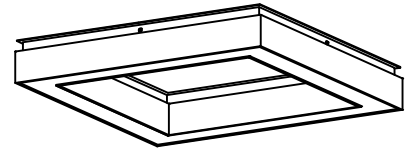
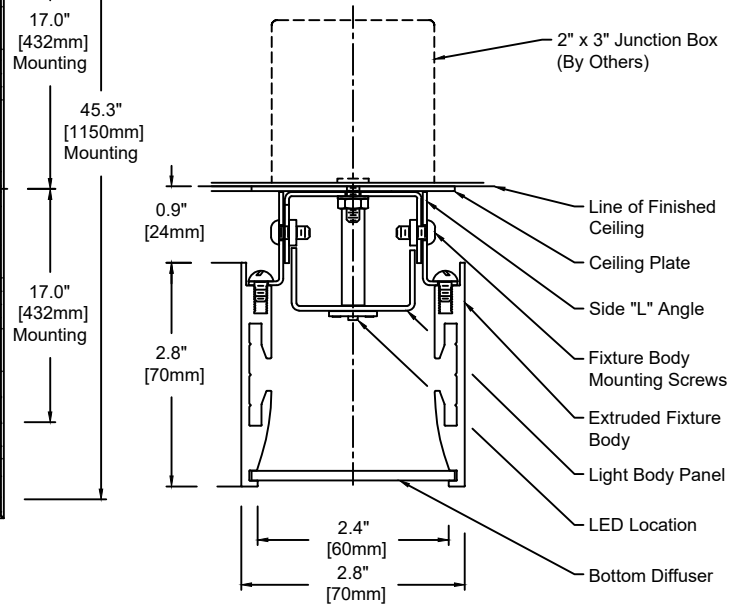
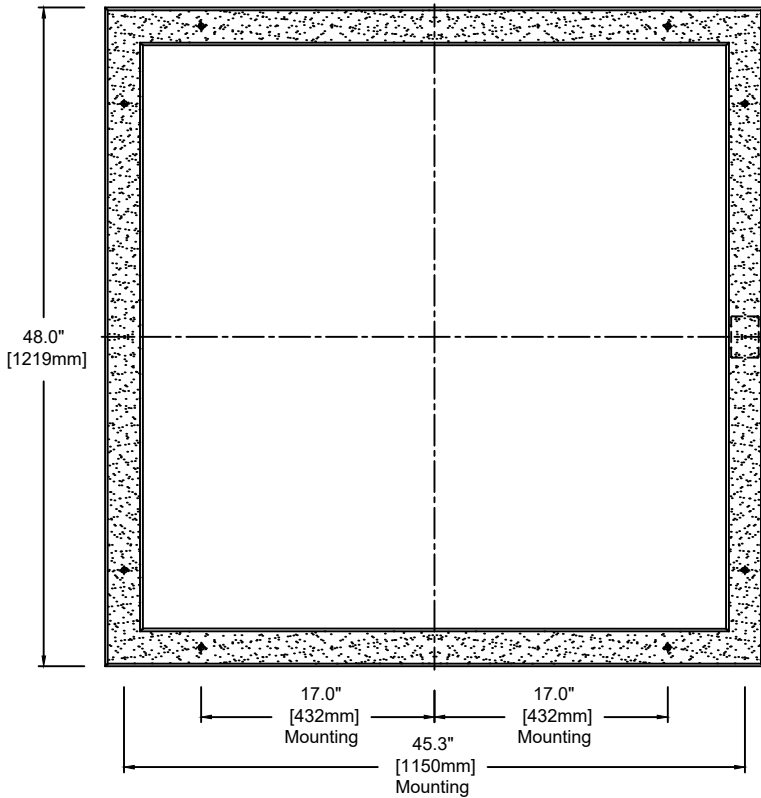
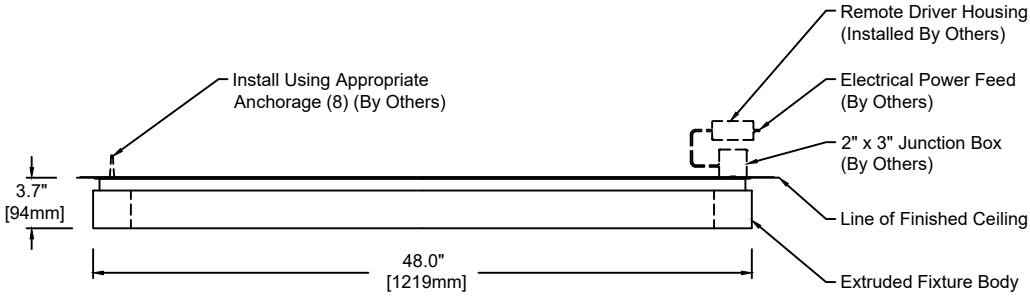


# Frame

## TECHNICAL SHEET



PERSPECTIVE VIEW



Cross Section  
Scale: N.T.S.

Fixture Weight : 24 lbs

Model	Type	Size	Wattage	Color Temp	Voltage	Control	Diffuser	Finish
1545	S	48	M	830	U	S	SW	16
	S - Surface	48"	L M	827 - 2,700K 830 - 3,000K 835 - 3,500K 840 - 4,000K	1 - 120 VAC only U - 120/277 V	S D010 DFPN L3DAE L3D0E	SW - Satin Opal Acrylic	16 - Clear Anodized Aluminum 21 - Painted White - RAL 9010 Matte 22 - Painted Custom Color

**Wattage and Control**

Control (Remote 24V):  
S - Non-Dim  
D010 - 0-10V 10%  
DFPN - Lutron Forward Phase 1%, 120VAC  
L3DAE - Lutron Hi-Lume 1% EcoSystem  
L3D0E - Lutron Hi-Lume Premier 0.1% EcoSystem

Wattage "L" - 44 Watt  
2,700K - 5,867 lm  
3,000K - 5,867 lm  
3,500K - 6,101 lm  
4,000K - 6,219 lm

Wattage "M" - 88 Watt  
2,700K - 10,897 lm  
3,000K - 10,897 lm  
3,500K - 11,351 lm  
4,000K - 11,572 lm

Technical Data:  
Form - linear, Operating voltage: 24VDC  
Color rendering index Ra min: 82 CRI, Available in 90 CRI  
Viewing angle: 110°  
Lifetime - L70: 60,000h  
Working temperature: -20°C to 60°C (-4°F to 140°F)

Remote Drivers:  
Max. wiring distance / Load

	Osram		Lutron		
Wire Gauge	≤48W	≤72W	≤96W	≤40W	≤96W
#18AWG	37'	25'	18'	15'	25'
#16AWG	59'	39'	29'	25'	40'
#14AWG	95'	63'	47'	40'	60'

