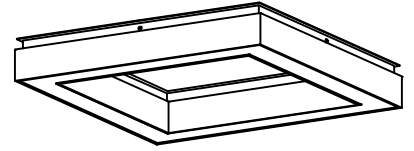
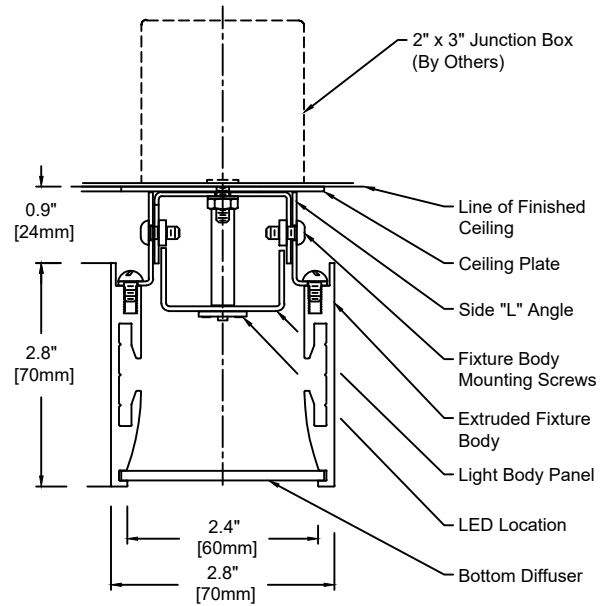
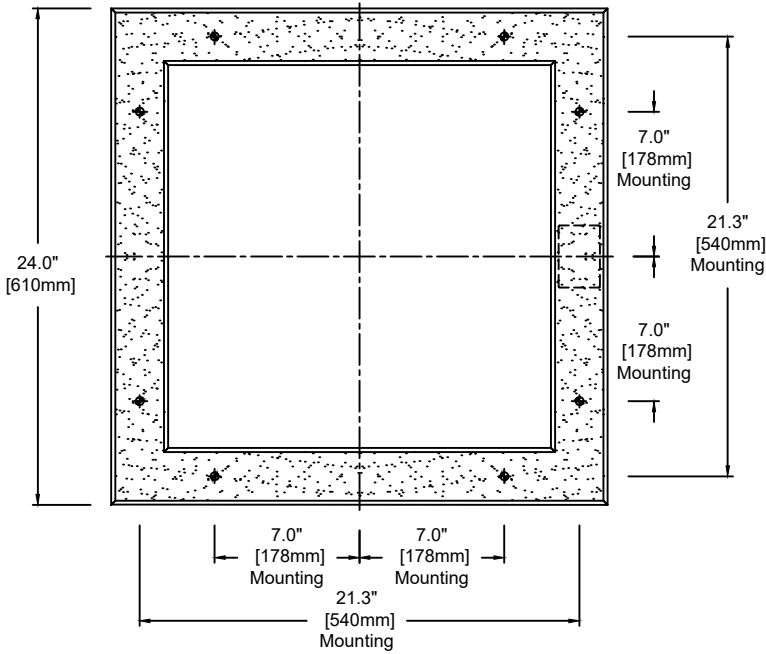
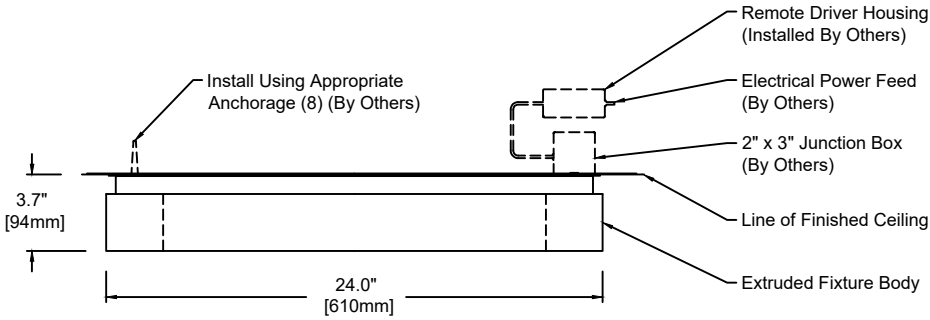


Frame

TECHNICAL SHEET



PERSPECTIVE VIEW



Cross Section
Scale: N.T.S.

Fixture Weight : 12 lbs

1545	S	24	M	830	U	S	SW	16
Model	Type	Size	Wattage	Color Temp	Voltage	Control	Diffuser	Finish
S - Surface	24"	L M	827 - 2,700K 830 - 3,000K 835 - 3,500K 840 - 4,000K	1 - 120 VAC only U - 120/277 V	S D010 DFPN L3DAE L3D0E	SW - Satin Opal Acrylic	16 - Clear Anodized Aluminum 21 - Painted White - RAL 9010 Matte 22 - Painted Custom Color	

Wattage and Control

Control (Remote 24V):
S - Non-Dim
D010 - 0-10V 10%
DFPN - Lutron Forward Phase 1%, 120VAC
L3DAE - Lutron Hi-Lume 1% EcoSystem
L3D0E - Lutron Hi-Lume Premier 0.1% EcoSystem

Wattage "L" - 20 Watt

2,700K - 2,666 lm
3,000K - 2,666 lm
3,500K - 2,773 lm
4,000K - 2,826 lm

Wattage "M" - 40 Watt

2,700K - 4,952 lm
3,000K - 4,952 lm
3,500K - 5,160 lm
4,000K - 5,260 lm

Technical Data:

Form - linear, Operating voltage: 24VDC
Color rendering index Ra min: 82 CRI, Available in 90 CRI
Viewing angle: 110°
Lifetime - L70: 60,000h
Working temperature: -20°C to 60°C (-4°F to 140°F)

Remote Drivers:

Max. wiring distance / Load		Osram		Lutron	
Wire Gauge	≤48W	≤72W	≤96W	≤40W	≤96W
#18AWG	37'	25'	18'	15'	25'
#16AWG	59'	39'	29'	25'	40'
#14AWG	95'	63'	47'	40'	60'

