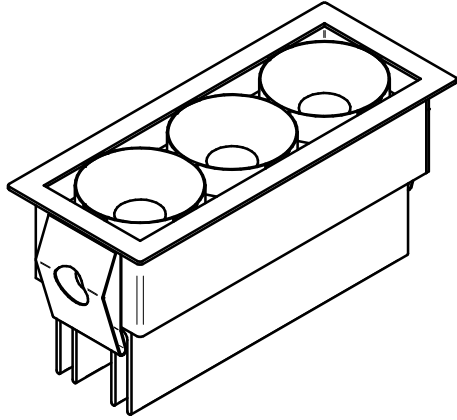
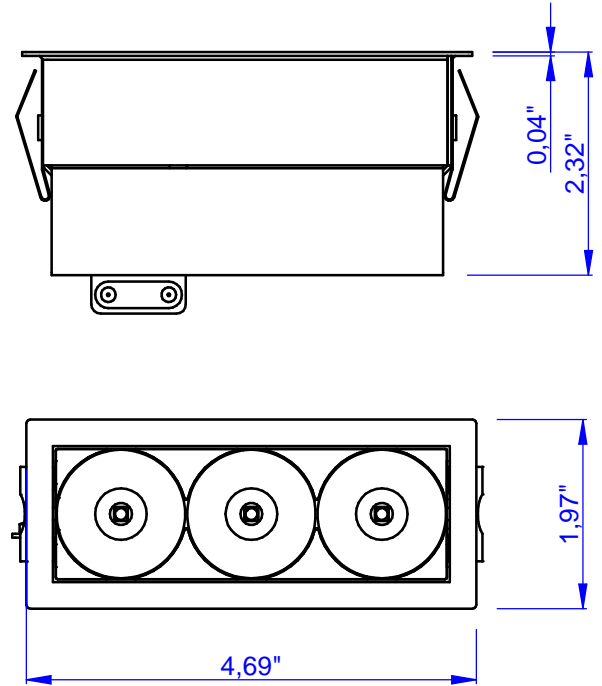


Data Sheet

FINISH	CODE	COLOUR LED	OPTIC
WHITE GLOSS	E64541	4000K - N	15° - 15
BLACK GLOSS	E64540	3000K - W	30° - 30



Dimensions



Finishes

WHITE GLOSS
BLACK GLOSS

Product Description

Indoor recessed spotlight made of painted iron white finish.
Optical unit composed by a three LED XPG2 CRI80 for 4000K and CRI90 for 3000K, reflectors made of polycarbonate chromated and profile white or black gloss.
Installation ceiling with springs.
11,81" 2X22 AWG cables red and blues included. Power supply remote.

LED White :
4000K - 3000K

Color LED :
-

Optic :
15° - 30°

LED RGB :
-

Optic :
-

Applications

Indoor spotlights

Power Led:

LED XPG2 CREE - CRI80 (4000K) - CRI90 (3000K)

Resin: No

Cable type included: Yes, 11,81" 2x22AWG red and blue cables

Connector type: -

Input (V - mA) : 700 mA

Nominal power (W): 6W

Real power (W): Nominal power

Temperature on the surface of the glass: 40°C

Adjustability: No

Drive over: No

Glow Wire: 850°

Power supply: Not Included

Insulation class: Class 2

IP 20

IK -

Weight: 0,5 Lbs

Volume: 24,4"³

△ : OK

ETL : OK

Luminous flux

LED Type	n°led	CRI	Nominal Lumen*		Nominal Power
			4000K - N	3000K - W	
XPG2	3	80	852	-	6W
XPG2	3	90	-	612	6W

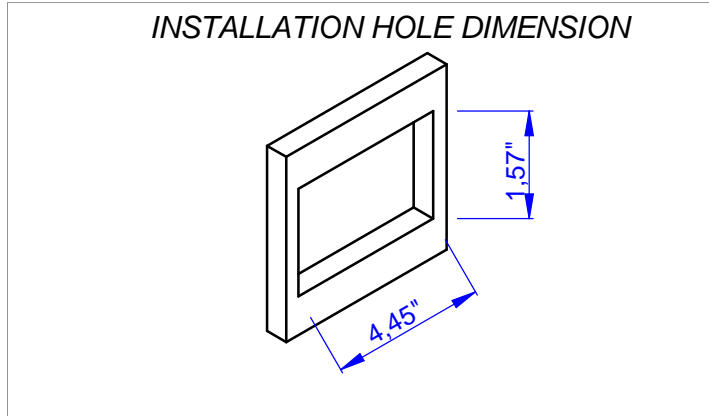
*Value of the luminous flux from the LED data sheet.

THIS PRODUCT MUST BE INSTALLED IN ACCORDANCE WITH THE APPLICABLE INSTALLATION CODE BY A PERSON FAMILIAR WITH THE CONSTRUCTION AND OPERATION OF THE PRODUCT AND THE HAZARDS INVOLVED

READ ALL OF THESE INSTRUCTIONS BEFORE INSTALLING FIXTURES

- Keep all of the instructions for future reference
- Turn off power before installing fixture
- Installation is to be performed by a qualified electrician only
- All installations must conform to the National Electrical Code as well as all local jurisdictional codes and regulations
- Any modification of the luminaire will void any and all written or implied warranties
- The manufacture accepts no responsibility for damage to persons or property arising through improper use or installation

Installation



Accessories

Accessory (1)	Accessory (2)	Accessory (3)	Accessory (4)
---------------	---------------	---------------	---------------

Accessory (1)

Accessory (2)

Accessory (3)

Accessory (4)