

# FARO 60 Specifications



Ordering Information <sup>1</sup>						
Model	Power	Color	Optics	Voltage	Finish	Options
F FR60	L	27 30 40	SP FL GR WW	24	W AT	SK

<sup>1</sup>Specify remote power supply separately below.

### Luminaire

- Sustainable design, replaceable LED module
- 2 axis adjustability (180°/95°)
- Base for feed through connection
- Recessed lens for glare reduction
- UL STD 1598, IP66, Wet location
- High performance optics
- Remote power supply
- Aluminum construction
- Finish powder coat RAL9003 or RAL7016 structure
- Base/Spike installation
- Supplied with mini connector (IP rated terminal block inside base)

### Size

- 2 = 2.3" (60mm) ø

### Power

- L = 8W, 3000K, 823lm, delivered

### Color Temperature

- 27 = 2700K
- 30 = 3000K
- 40 = 4000K
- 2 Step MacAdam
- CRI: > 85

### Optics

- SP = Spot - 10°
- FL = Flood - 30°
- GR = 49° x 34°
- WW = Wall Wash

### Voltage

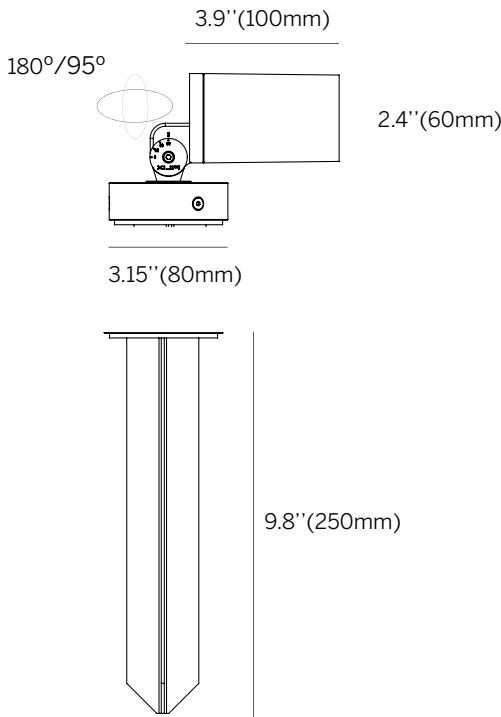
- 24 = 24Vdc fixture voltage

### Finish

- W = RAL 9003 Structure (white)
- AT = RAL 7016 Structure (grey anthracite)

### Options

- SK = Spike



### Power Supply<sup>2</sup> (Remote)

#### Non-Dim

- D-520-24007: Osram 96W, 24VDC, 120-277VAC

#### Dim

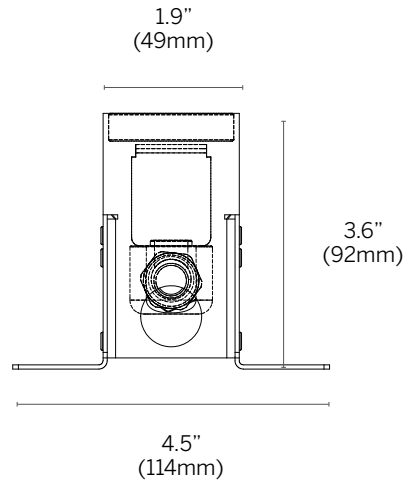
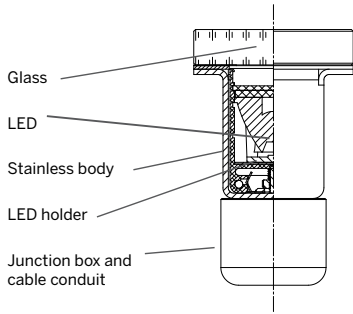
- D-520-24006: Osram 10% 0-10V dimming, 96W, 24VDC, 120-277VAC
- IL-JB-LED-24003-120V-DFPN: Lutron LTE 1% Forward Phase (with neutral) dimming, 5-40W, 24VDC, 120VAC, Case K, dry location enclosure (not suitable for 48" High power or 12" Low power fixtures)

- IL-JB-LED-24010-UNV-D3W: Lutron L3D 1% 3-wire dimming, 5-40W, 24VDC, 120-277VAC, Case K, dry location enclosure (not suitable for 48" High power or 12" Low power fixtures)
- IL-JB-LED-24010-UNV-DES: Lutron L3D 1% EcoSystem dimming, 5-40W, 24VDC, 120-277VAC, Case K, supplied in a dry location enclosure (not suitable for 48" High power or 12" Low power fixtures)

<sup>2</sup>See power supply pages for details. No enclosure, unless stated. Im80 values shown.

# FARO 60 Dimensions

Fixture



Preliminary

# FARO 60 Power Supplies

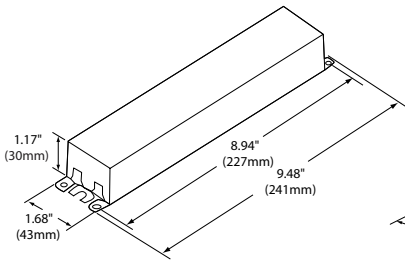
## Single Color Drivers

Qty.	Part Number	Description	Case	Nominal Input Voltage (V)	Nominal Input Current (A)	Power Factor	Output Power Range (W)	Dimming Mode	Dimming Control	Dimming Range	Location Rating
	D-520-24007	Osram non-dim	1	120 277	0.97 0.39	0.9	1-96	N/A	N/A	N/A	Damp
	D-520-24006	Osram 0-10V dim	1	120 277	0.97 0.39	0.9	1-96	PWM	0-10V	10-100%	Damp
	IL-JB-LED-24003-120V-DFPN	Hi-Lume A Series LED LTE	2	120	0.38	0.99	5-40	PWM	Forward phase with neutral	1-100%	Dry
	IL-JB-LED-24010-UNV-D3W	Hi-Lume A Series LED L3D, 3-wire	2	120 277	0.38 0.17	0.99 0.96	5-40	PWM	3-Wire	1-100%	Dry
	IL-JB-LED-24010-UNV-DES	Hi-Lume A Series LED L3D, EcoSystem	2	120 277	0.37 0.17	0.99 0.96	5-40	PWM	Ecosystem®	1-100%	Dry

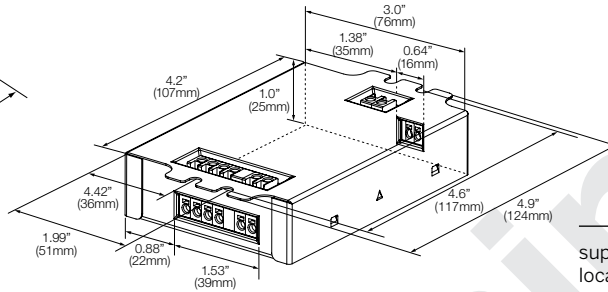
Although it is possible to exceed the remote mounting distance, the installer and/or end user must take precautions to prevent and/or test the effects of EMI (electromagnetic interference).

### Case dimensions

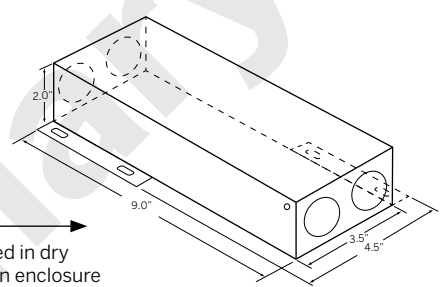
**Case 1 (no enclosure)**



**Case 2 Hi-Lume, case K (enclosure supplied)**

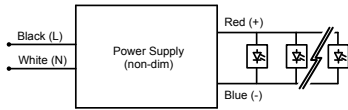


supplied in dry location enclosure

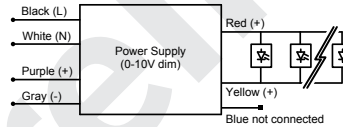


### Wiring diagrams

96W Non-Dim

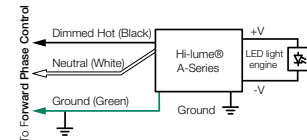


96W Dim



LTE (forward phase with neutral)

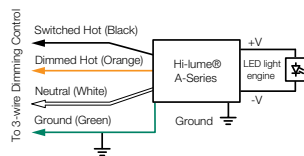
Wiring Diagram for Forward Phase Control



Note: Colors shown correspond to terminal blocks on driver.

L3D (3-wire)

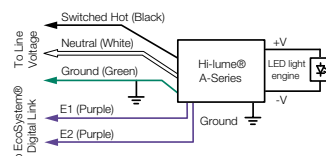
Wiring Diagram for 3-Wire Control



Note: Colors shown correspond to terminal blocks on driver.

L3D (Ecosystem®)

Wiring Diagram for EcoSystem® Digital Control



Note: Colors shown correspond to terminal blocks on driver.

Maximum wiring distance\*

Wire gauge	Load per driver			
	Osram		Lutron	
	≤48W	≤72W	≤96W	≤40W
#18AWG	37'	25'	18'	15'
#16AWG	59'	39'	29'	25'
#14AWG	95'	63'	47'	40'
#12AWG	151'	101'	75'	60'
#10AWG	241'	160'	120'	-

\*Voltage drop guide for 24VDC. Actual Voltage drop to be calculated by installer