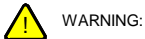
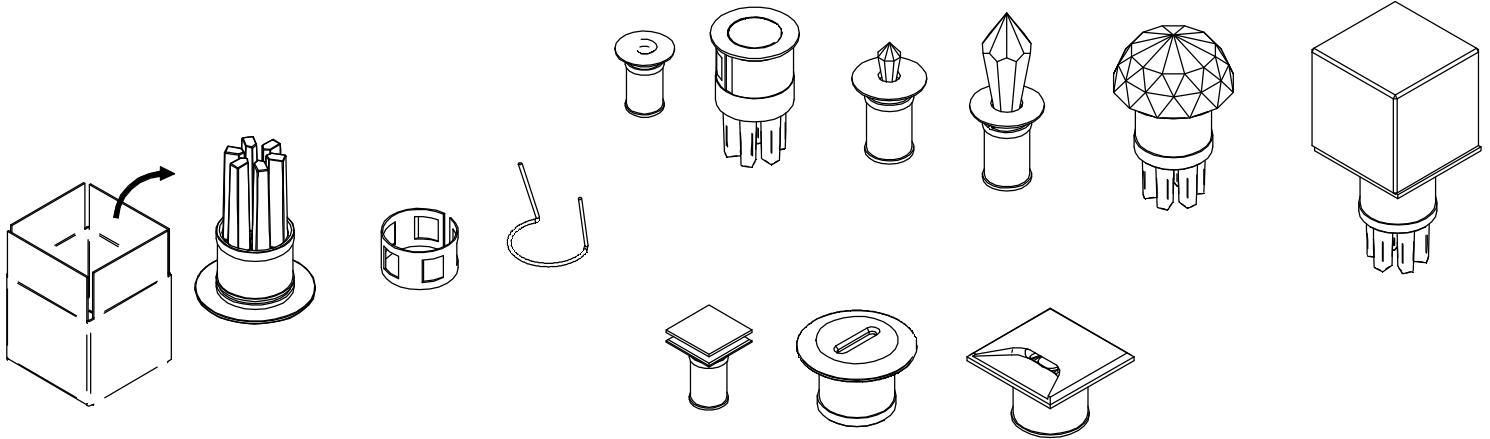




ASPHO / NITUM / PICROL / BERIEL / ELIN / TURE / GUDE / MOSAIC / PETIT / ENVELOPE



WARNING:

INSTALL PRODUCT IN ACCORDANCE WITH LOCAL AND NATIONAL ELECTRICAL CODES BY A QUALIFIED ELECTRICIAN



WARNING:

FAILURE TO COMPLY WITH THE INSTALLATION INSTRUCTIONS MAY RESULT IN DEATH OR SEVERE INJURY.



WARNING:

READ ALL SAFETY INSTRUCTIONS INCLUDED WITH LUMINAIRE BEFORE INSTALLING LUMINAIRE. SAVE INSTRUCTIONS FOR FUTURE USE.

CAUTION:

THIS IS AN ELECTRONIC DEVICE. CARE MUST BE TAKEN DURING STORAGE AND HANDLING. STORE IN A CLEAN, COOL AND DRY LOCATION. ELECTROSTATIC DISCHARGE (ESD) CAN HARM THIS PRODUCT. AVOID STATIC DISCHARGE WHILE HANDLING THIS PRODUCT.

CAUTION:

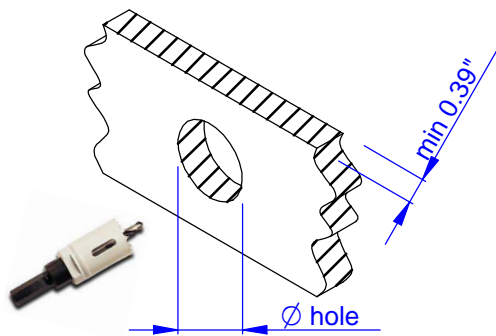
INTER-LUX IS NOT RESPONSIBLE FOR THE STRUCTURAL INTEGRITY OF THE BUILDING TO SUPPORT THE LUMINAIRE. ADDITIONAL BACKING MAY BE REQUIRED.

LOCATE AND REVIEW ANY CONSTRUCTION PLANS AND INTER-LUX RECORD DRAWINGS FOR ALL FIXTURE RUNS. IT IS RECOMMENDED TO LOCARE AND LAY OUT ALL COMPONENTS FOR EACH FIXTURE "RUN". A FIXTURE RUN TYPICALLY CONSISTS OF JOINERS, LENGTHS OF HOUSING, AND ENDCAPS. BE SURE TO IDENTIFY ALL CORRECT LENGTHS FOR EACH FIXTURE RUN.

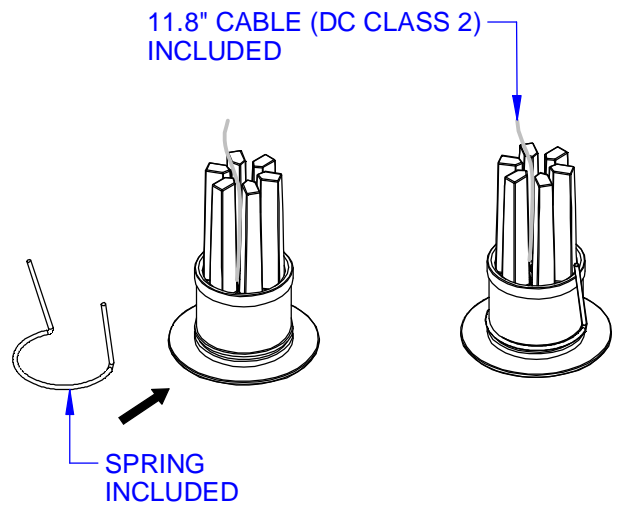
Article	ø hole	Crystal		
		□/ø 0.8"	□/ø 1.2"	□/ø 1.6"
Aspho	ø 0.59"	-	-	-
Elin	-	ø 0.59"	-	-
Nitum	ø 1.14"	-	-	-
Beriel	-	ø 0.59"	-	-
Mosaic	ø 0.59"	-	-	-
Petit_R	ø 0.59"	-	-	-
Petit_Q	ø 0.59"	-	-	-
Petit_2R	ø 1.14"	-	-	-
Petit_2Q	ø 1.14"	-	-	-
Gude	-	ø 0.59"	ø 0.78"	ø 1.14"
Ture	-	ø 0.59"	ø 0.78"	ø 1.14"
Picrol 1W ø 1"	ø 0.78"	-	-	-
Picrol 1W		Only with outercasing		
Picrol 1.5W		Only with outercasing		
Envelope	ø 1.14"	-	-	-

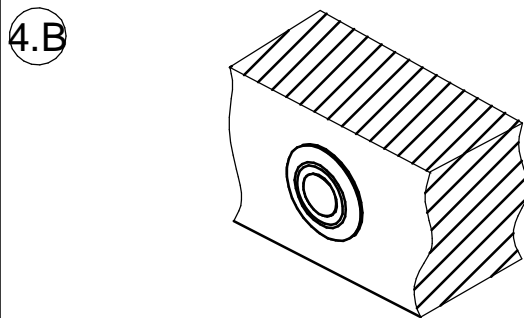
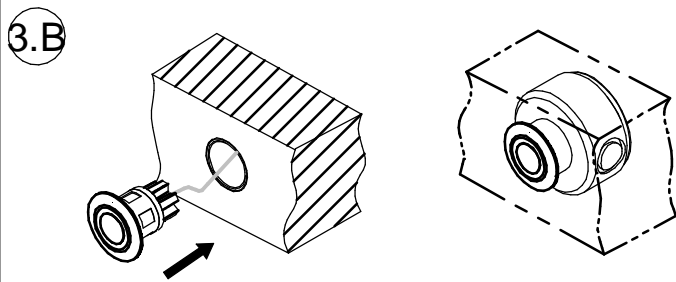
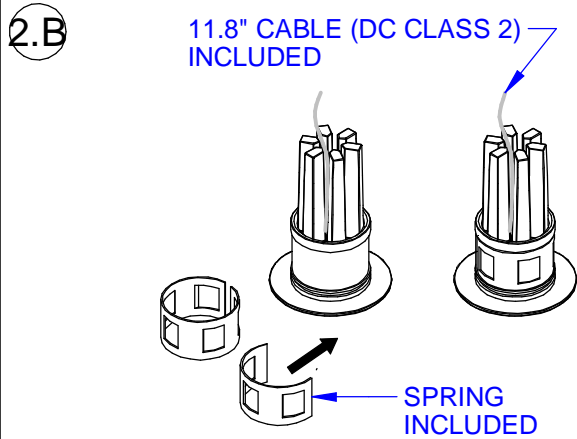
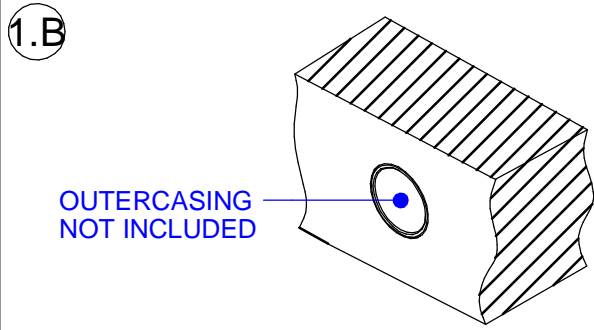
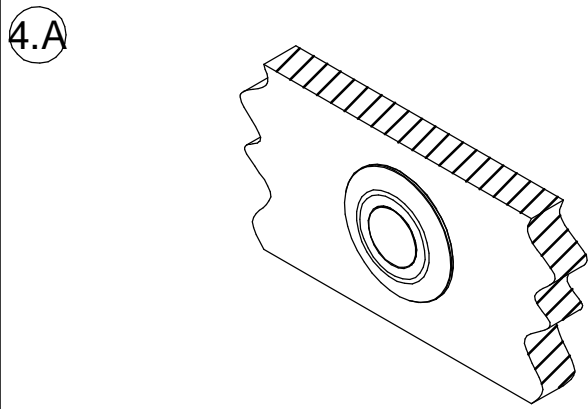
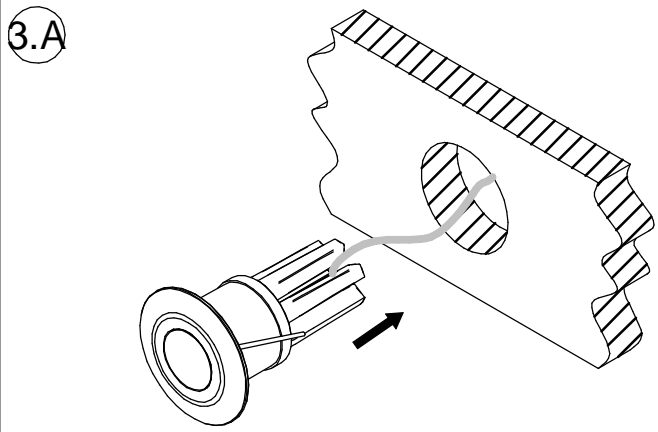
INSTALLATION INSTRUCTIONS

1.A



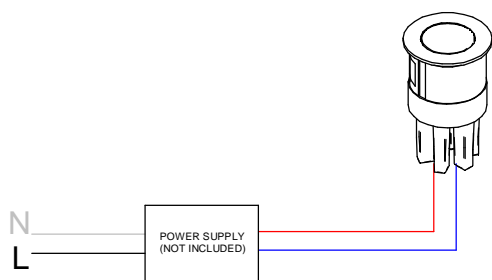
2.A



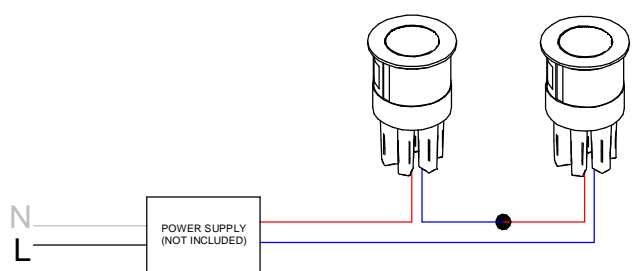


WIRING DIAGRAM

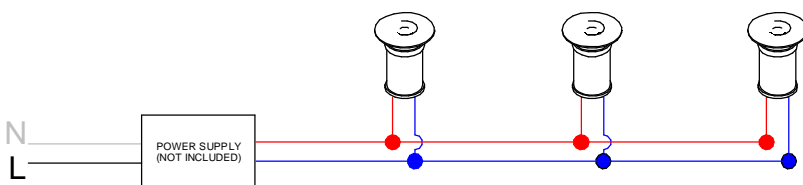
SINGLE CONNECTION



MULTIPLE SERIAL CONNECTION (POWER LEDs)



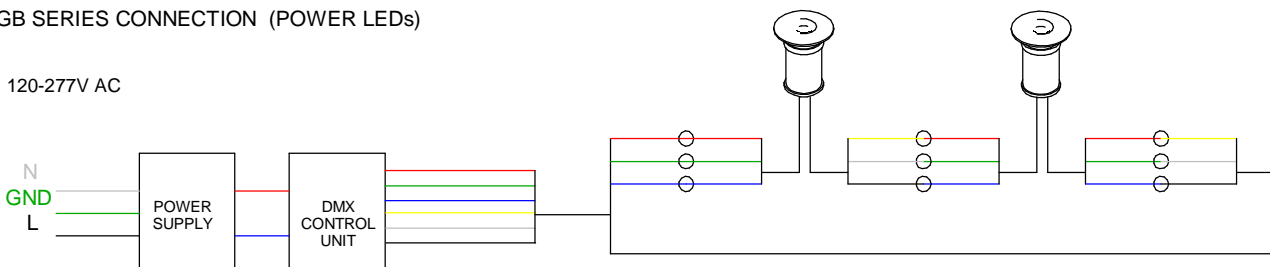
MULTIPLE PARALLEL CONNECTION (5mm LEDs)



<i>Secondary Cable Colours</i>	<i>Pole</i>
Red wire	+
Blue wire	-

RGB SERIES CONNECTION (POWER LEDs)

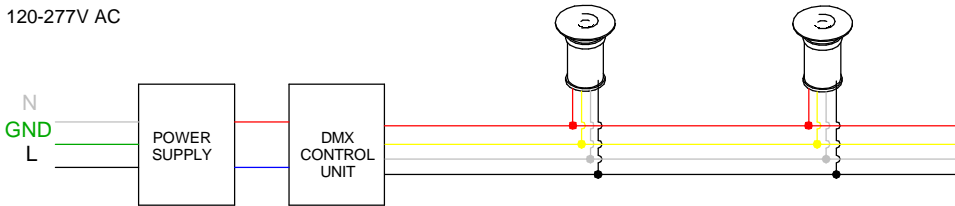
120-277V AC



Secondary Cable Colours	Pole
Red wire	Red +
Yellow wire	Red -
Green wire	Green +
White wire	Green -
Blue wire	Blue +
Black wire	Blue -

RGB PARALLEL CONNECTION (5mm LEDs)

120-277V AC



Secondary Cable Colours	Pole
Red wire	Common +
Yellow wire	Red -
White wire	Green -
Black wire	Blue -

THIS PRODUCT MUST BE INSTALLED IN ACCORDANCE WITH THE APPLICABLE INSTALLATION CODE BY A PERSON FAMILIAR WITH THE CONSTRUCTION AND OPERATION OF THE PRODUCT AND THE HAZARDS INVOLVED

MOUNTING INSTRUCTIONS

READ ALL OF THESE INSTRUCTIONS BEFORE INSTALLING FIXTURES

- CAUTION: USE ONLY WITH CLASS 2 POWER UNIT
- Keep all of the instructions for future reference
- Turn off power before installing fixture
- Installation is to be performed by a qualified electrician only
- All installations must conform to the National Electrical Code as well as all local jurisdictional codes and regulations
- Any modification of the luminaire will void any and all written or implied warranties
- The manufacture accepts no responsibility for damage to persons or property arising through improper use or installation

INSTALLATION SEQUENCE

- Mount remote driver in accessible well ventilated space
- Ensure power is off before connecting driver to line voltage
- Cut correct size opening in ceiling or wall [1.A] or install the outercasing [1.B]
- Fix the spring on the article [2.A-2.B]
- Insert the article into the hole [3.A-3.B]
- Connect secondary wiring to fixture wiring
- WARNING - Be sure secondary wiring is connected to driver BEFORE energizing to avoid LED failure
- Energize