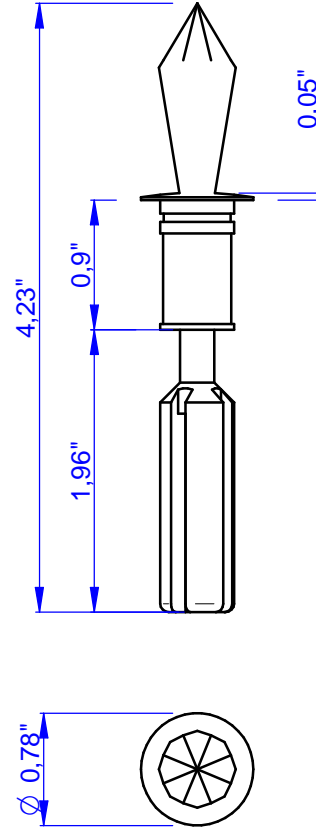
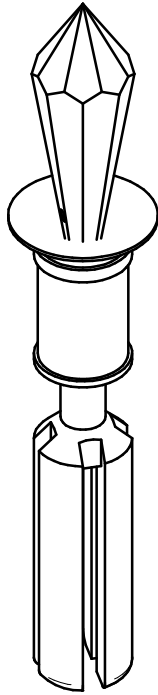


Data Sheet

<b>Code</b>	<b>Finish</b>
E87323	CHROME



Finishes

Chrome (CR)

Product Description

Recessed spotlight with XBD LED with crystal optic. Brass body, powder coated white embossed or chrome. Nickel plated steel spring included for installation in plasterboard. Article with resin for guarantee the degree of dust or liquid protection. Ideal for the creation of "starry skies" and create spectacular effects on walls and ceilings. Power supply remote.

LED White :  
5000K - 4000K - 3000K

Color LED :  
Blue, Amber, Red, Green

Optic :  
00°

LED RGB :  
-

Optic :  
-

Applications

Indoor spotlights

Luminous flux

Power Led:

LED Cree XBD - CRI80

Led Type	n°LED	Lumen* LM80			power watt
		5000K	4000K	3000K	
XBD	1	185	152	143	1,5

Resin: Yes

Cable type included: Yes, 11,8" 2X22AWG red/blue cables

Connector type: -

Input (V - mA) : 500mA

Nominal power (W): 1,5W

Real power (W): Nominal Power

Temperature on the surface of the glass: 40°

Adjustability: No

Drive over: No

Glow Wire: 850°

Power supply: Remote

Insulation class: Class 2

IP 20

IK -

Weigh: 0,15 Lbs

Volume: 122 ^\*3

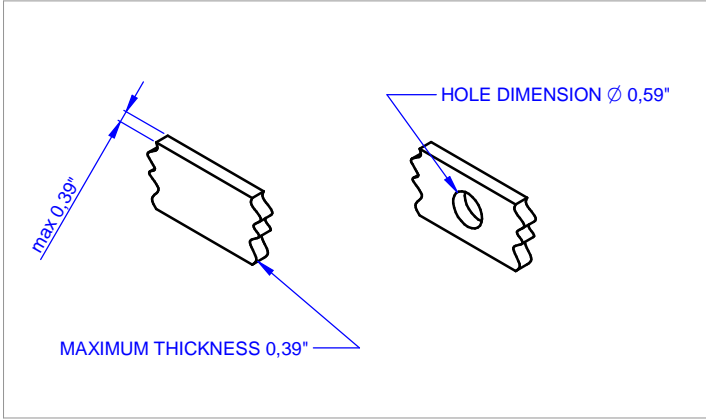
\*Value of the luminous flux from the LED data sheet.

⚠ : Ok

Ⓢ : OK

Data Sheet

Installation

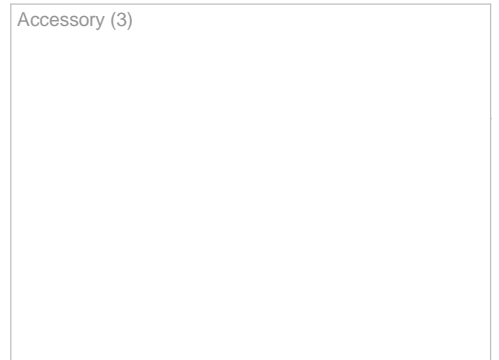
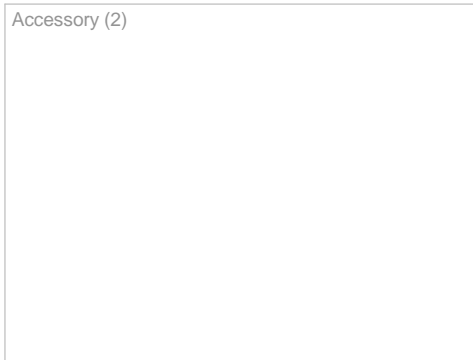
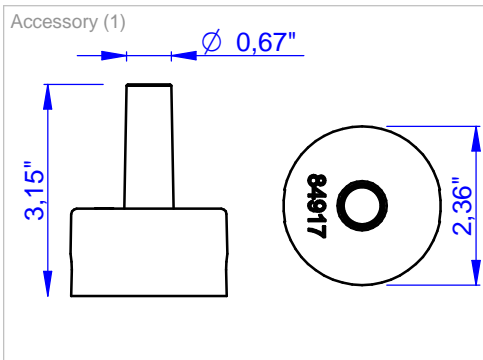


THIS PRODUCT MUST BE INSTALLED IN ACCORDANCE WITH THE APPLICABLE INSTALLATION CODE BY A PERSON FAMILIAR WITH THE CONSTRUCTION AND OPERATION OF THE PRODUCT AND THE HAZARDS INVOLVED

READ ALL OF THESE INSTRUCTIONS BEFORE INSTALLING FIXTURES

- Keep all of the instructions for future reference
- Turn off power before installing fixture
- Installation is to be performed by a qualified electrician only
- All installations must conform to the National Electrical Code as well as all local jurisdictional codes and regulations
- Any modification of the luminaire will void any and all written or implied warranties
- The manufacture accepts no responsibility for damage to persons or property arising through improper use or installation

Accessories



Accessory (1)

cod. E84917 outercasing.

Accessory (2)

Accessory (3)

Accessory (4)