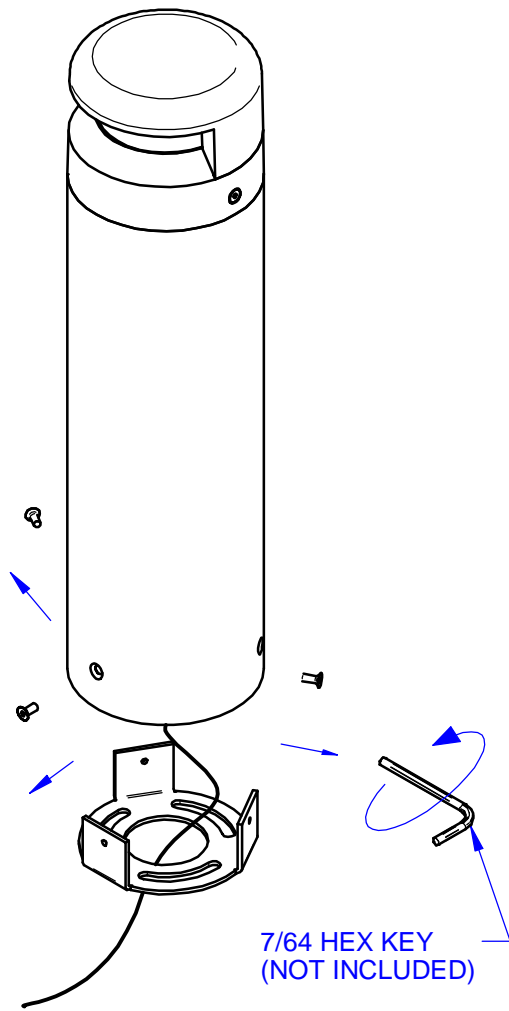
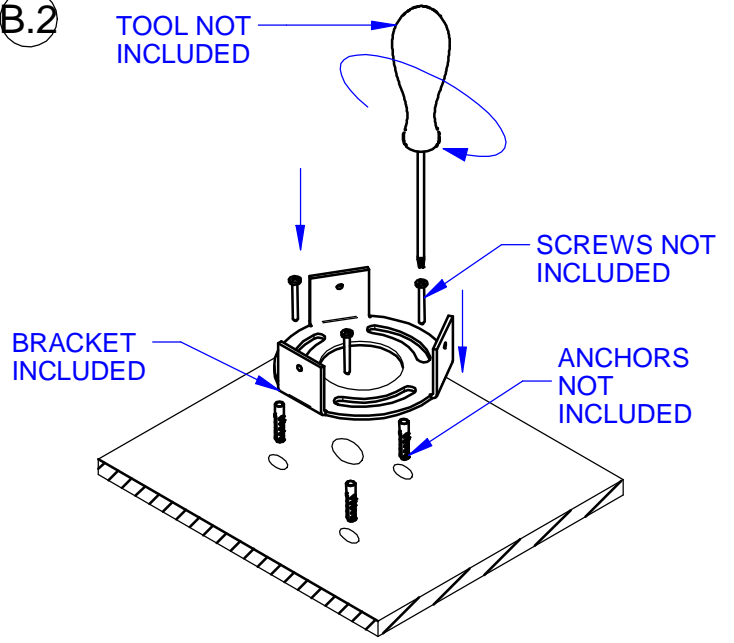


B.1

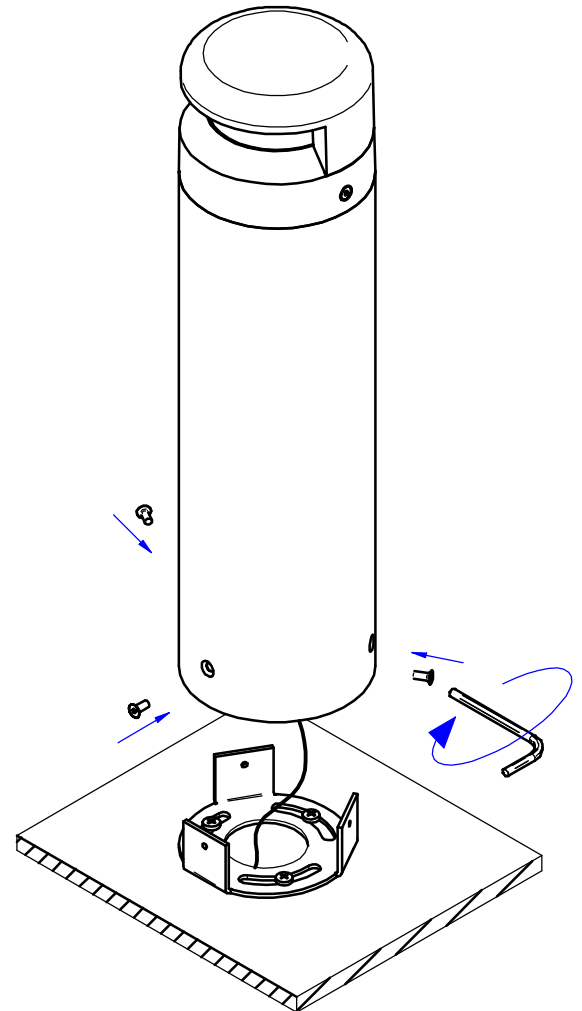


REMOTE DRIVER VERSION:  
3 ft DIRECT BURIAL CABLE INSTALLED  
INTEGRAL DRIVER VERSION:  
3 ft DIRECT BURIAL CABLE + MALE CONNECTOR INSTALLED  
FEMALE CONNECTOR INCLUDED (WIRING INSTRUCTION ON PAGE 3-4)

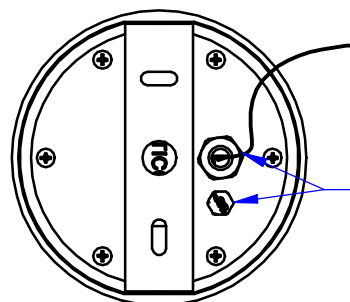
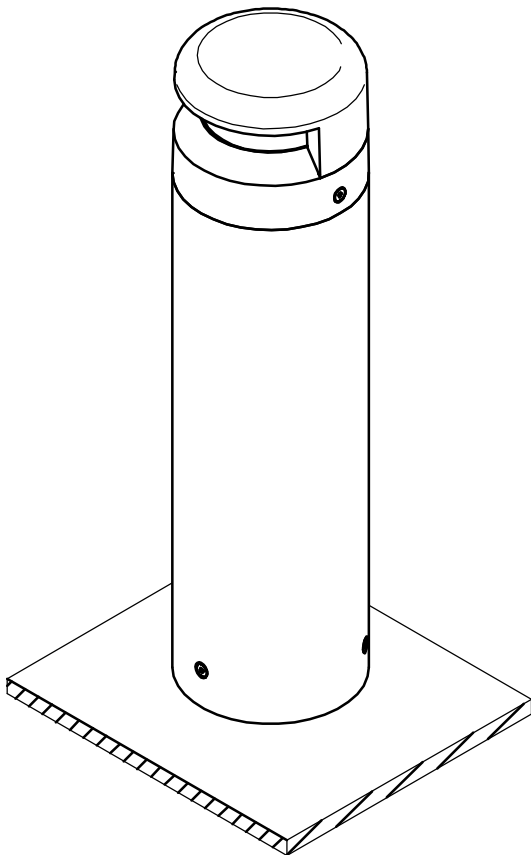
B.2



B.3

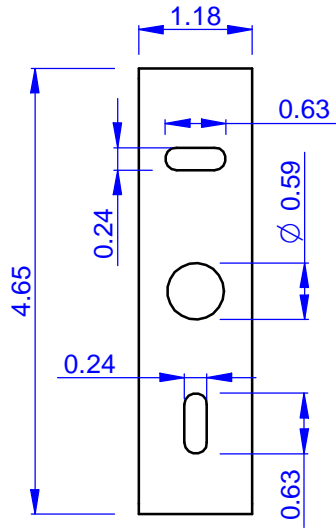


B.4

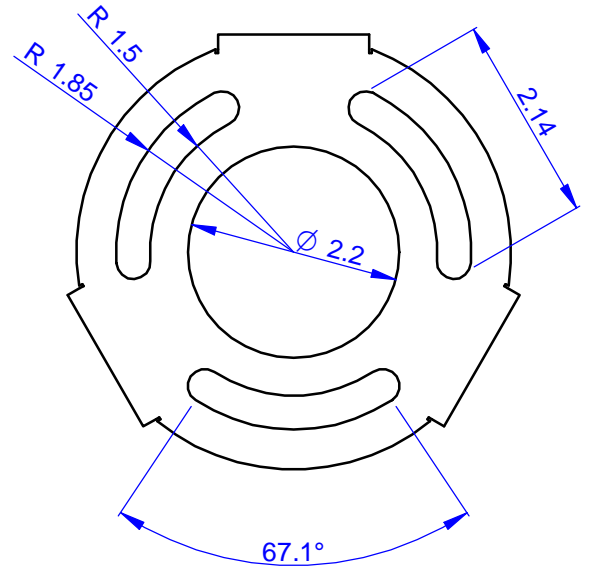


**WARNING!**  
DO NOT UNSCREW  
THE CABLE GLAND  
NOR THE VALVE

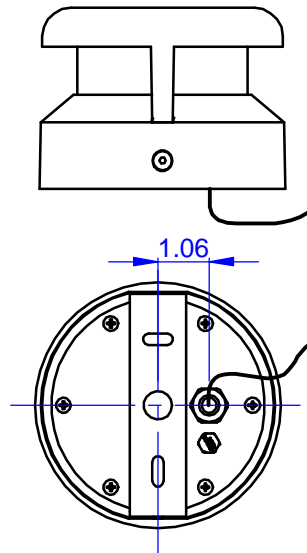
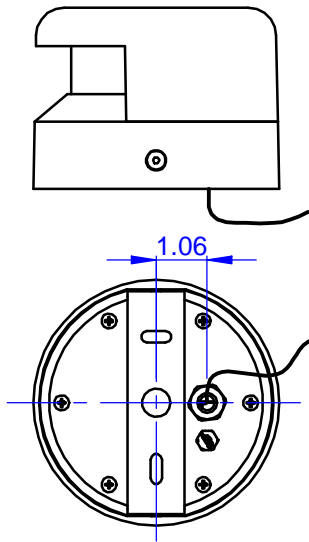
BRACKET MODEL JOE A



BRACKET MODEL JOE B



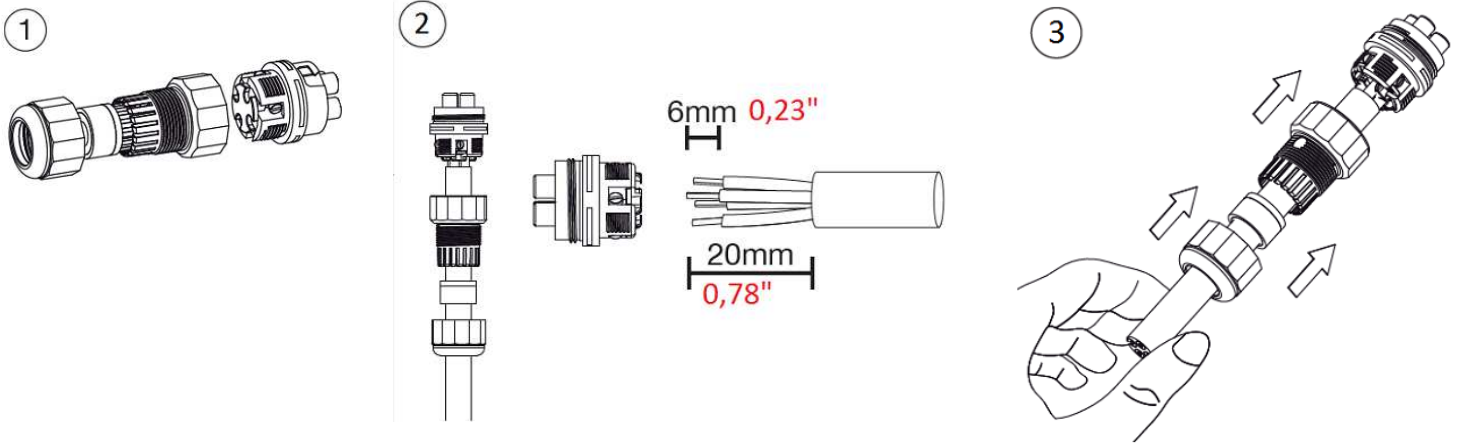
CABLE EXIT POSITION



WIRING DIAGRAM (integral driver version)

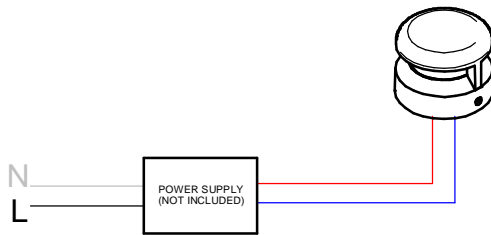


- POLE 1 = LINE
- POLE 2 = NEUTRAL
- POLE 3 = 0-10V +
- POLE 4 = GROUND
- POLE 5 = 0-10V -

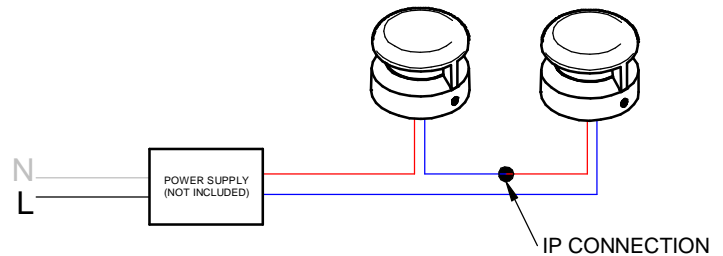


## WIRING DIAGRAM (remote driver version)

### SINGLE FIXTURE



### MULTIPLE FIXTURES WIRED IN SERIES (Constant Current)



### WARNING!

DO NOT CONNECT THE FIXTURES TO A LIVE DRIVER, DOING SO WILL IMMEDIATELY AND PERMANENTLY DAMAGE THE LEDs.

Secondary Cable Colours	Pole
Red wire	+
Blue wire	-

THIS PRODUCT MUST BE INSTALLED IN ACCORDANCE WITH THE APPLICABLE INSTALLATION CODE BY A PERSON FAMILIAR WITH THE CONSTRUCTION AND OPERATION OF THE PRODUCT AND THE HAZARDS INVOLVED

### MOUNTING INSTRUCTIONS

#### READ ALL OF THESE INSTRUCTIONS BEFORE INSTALLING FIXTURES

- CAUTION: USE ONLY WITH CLASS 2 POWER UNIT
- Keep all of the instructions for future reference
- Turn off power before installing fixture
- Installation is to be performed by a qualified electrician only
- All installations must conform to the National Electrical Code as well as all local jurisdictional codes and regulations
- Any modification of the luminaire will void any and all written or implied warranties
- The manufacture accepts no responsibility for damage to persons or property arising through improper use or installation

### INSTALLATION SEQUENCE

- Mount remote driver in accessible well ventilated space
- Ensure power is off before connecting driver to line voltage
- Unscrew the screws for remove the bracket from the Joe [A.1-B.1]
- Fix the bracket on the ground/floor [A.2-B.2]
- Fix the Joe on the bracket with the screws [A.3-B.3]
- Make the wirings as shown in the wiring diagram.
- WARNING - Be sure secondary wiring is connected to driver BEFORE energizing to avoid LED failure
- Energize

CAUTION!!! DO NOT UNSCREW THE PLUG, THE CABLE GLAND AND THE VALVE OF ANY JOE MODEL