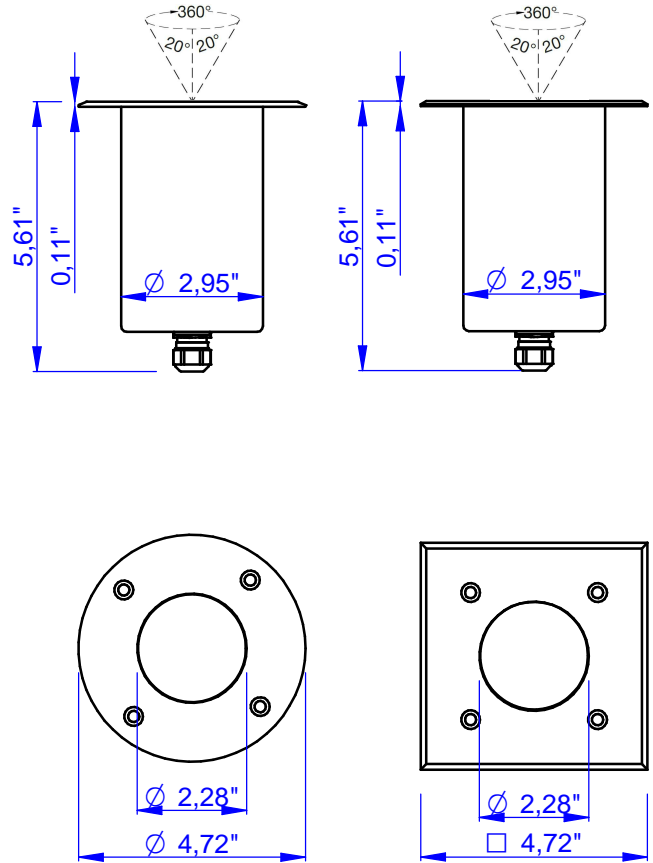
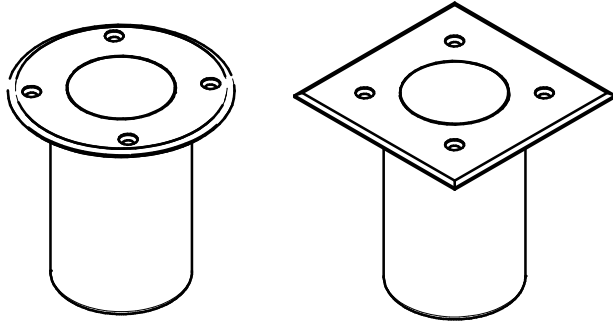


CODE	FINISH	TYPE	FLANGE	FRAME
E97613	CR	ROUND	ALUMINIUM	ALUMINIUM
E97614	GR	ROUND	ALUMINIUM	ALUMINIUM
E97615	IS	ROUND	INOX STEEL	ALUMINIUM
E97616	CR	SQUARE	ALUMINIUM	ALUMINIUM
E97617	GR	SQUARE	ALUMINIUM	ALUMINIUM
E97618	IS	SQUARE	INOX STEEL	ALUMINIUM



**Finishes**

- EMBOSSED GREY (GR)
- CHROME (CR)
- STAINLESS STEEL (IS)

**Product Description**

Recessed round or square drive over with 3 power LEDs. The main body is made of aluminum powder coated. The flange is made of brass (chrome), aluminum (powder coated), stainless steel AISI316 (tumbling). Optical unit tilting and consisting of methacrylate lens dedicated to each individual LEDs and protection glass extra-clear (10°/30°/50°/120°). Power supply remote. Installation with outercasing.

LED White :  
 5000K - 4000K - 3000K

Color LED :  
 -

Optic :  
 10°-30°-50°-12°

LED RGB :  
 NO

Optic :  
 -

**Applications**

Outdoor spotlights

**Luminous flux**

**Power Led:**

LED XPG2 CREE - CRI80

Type LED	n°led	Nominal Lumen*			Nominal Power
		5000K - C	4000K - N	3000K - W	
XPG2	3	798	747	699	6W

Resin: No

Cable type included: 118,11" 2x18AWG direct burial cable red/blue

Connector type: -

Input (V - mA) : 630 mA

Nominal power (W): 6W

Real power (W): Nominal Power

Temperature on the surface of the glass: 40°

Adjustability: Yes

Drive over: Yes, 4409 Lbs

Glow Wire: 850°

Power supply: Remote

Insulation class: Class 2

IP 67

IK 09

Weight: 2,09 Lbs

Volume: 123"³

△ : OK

ETL : OK

\*Value of the luminous flux from the LED data sheet.

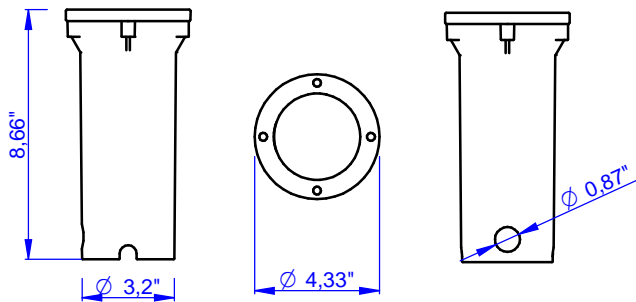
THIS PRODUCT MUST BE INSTALLED IN ACCORDANCE WITH THE APPLICABLE INSTALLATION CODE BY A PERSON FAMILIAR WITH THE CONSTRUCTION AND OPERATION OF THE PRODUCT AND THE HAZARDS INVOLVED

READ ALL OF THESE INSTRUCTIONS BEFORE INSTALLING FIXTURES

- Keep all of the instructions for future reference
- Turn off power before installing fixture
- Installation is to be performed by a qualified electrician only
- All installations must conform to the National Electrical Code as well as all local jurisdictional codes and regulations
- Any modification of the luminaire will void any and all written or implied warranties
- The manufacture accepts no responsibility for damage to persons or property arising through improper use or installation

## Accessories

Accessory (1)



Accessory (2)

Accessory (1)

cod. E84900 outer casing

Accessory (2)

Accessory (3)

Accessory (4)