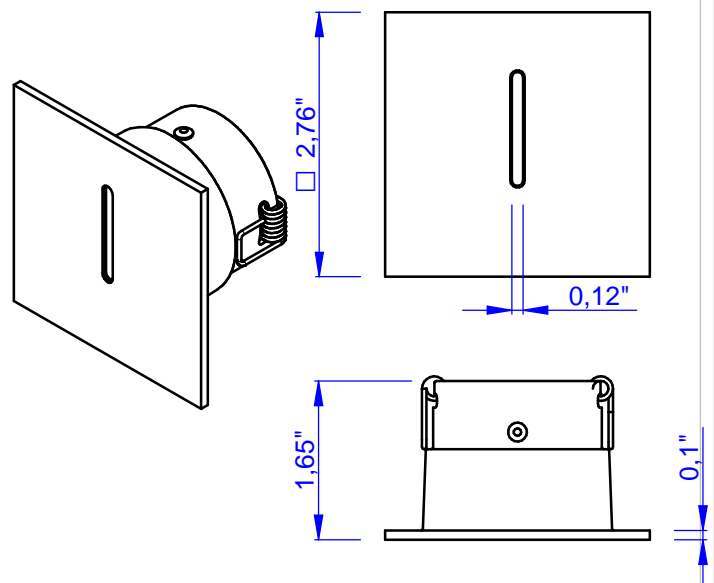
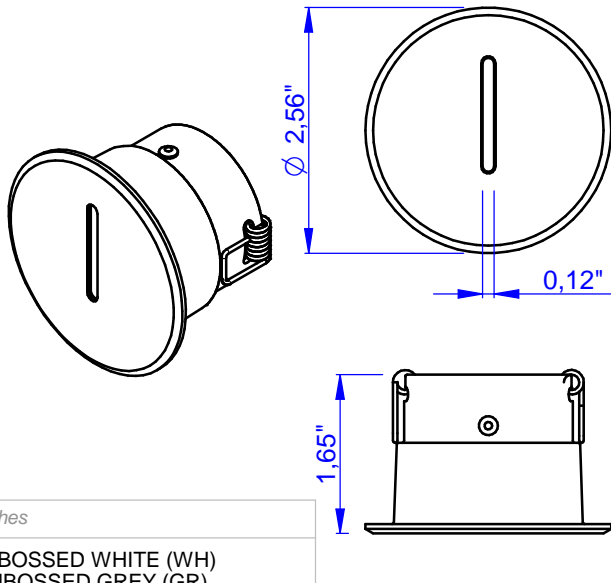


Data Sheet

FINISH	CODE	COLOUR LED	OPTIC
EMBOSSSED WHITE	<b>E92513</b>	5000K - C 4000K - N 3000K - W	05° - 05
EMBOSSSED GREY	<b>E92514</b>	AMBER - Y BLUE - B GREEN - G RED - R	

FINISH	CODE	COLOUR LED	OPTIC
EMBOSSSED WHITE	<b>E92558</b>	5000K - C 4000K - N 3000K - W	05° - 05
EMBOSSSED GREY	<b>E92559</b>	AMBER - Y BLUE - B GREEN - G RED - R	



*Finishes*

EMBOSSSED WHITE (WH)
EMBOSSSED GREY (GR)

*Product Description*

Recessed round / square outdoor light with an angle of 40 °, effect "blade of light", 1 power LED. Body in die-cast aluminum available in powder coated white and gray. 39,37" SJEOOW cable. Short springs for recessed installation pre-installed on the article. Spotlight with resin plant in the back that ensures the degree of protection from dust and liquids. Suitable for decorating exterior, applicable on walkways and gardens. Power supply remote.

LED White :  
5000K - 4000K - 3000K

Color LED :  
Blue, Amber, Red, Green

Optic :  
05°

LED RGB :  
NO

Optic :  
-

*Applications*

Outdoor spotlights

*Luminous flux*

*Power Led:*  
LED XPG2 CREE - CRI80

Type LED	n°led	Nominal Lumen*			Nominal Power
		5000K - C	4000K - N	3000K - W	
XPG2	1	266	249	233	2W

*Resin: Yes*  
*Cable type included: 39,37" 2x18AWG SJEOOW cable red/blue*  
*Connector type: -*  
 Input (V - mA) : 630 mA  
 Nominal power (W): 2W  
 Real power (W): Nominal Power

*Temperature on the surface of the glass: 40°*  
*Adjustability: No*  
*Drive over: No*  
 Glow Wire: 850°  
 Power supply: Remote  
 Insulation class: Class 2  
 IP 65  
 IK -  
 Weight: 0,28 Lbs  
 Volume: 39,66"³

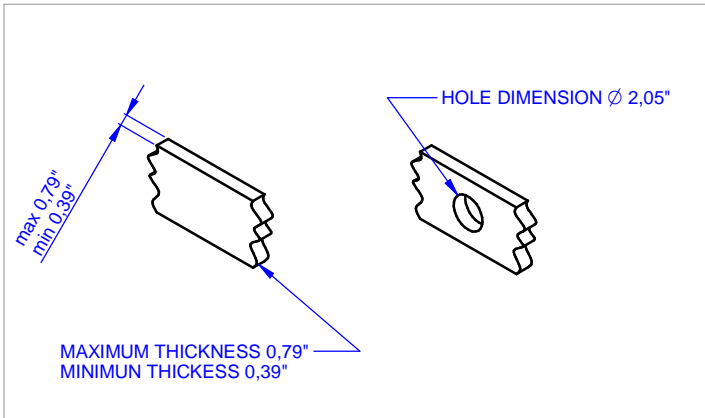
\*Value of the luminous flux from the LED data sheet.



THIS PRODUCT MUST BE INSTALLED IN ACCORDANCE WITH THE APPLICABLE INSTALLATION CODE BY A PERSON FAMILIAR WITH THE CONSTRUCTION AND OPERATION OF THE PRODUCT AND THE HAZARDS INVOLVED

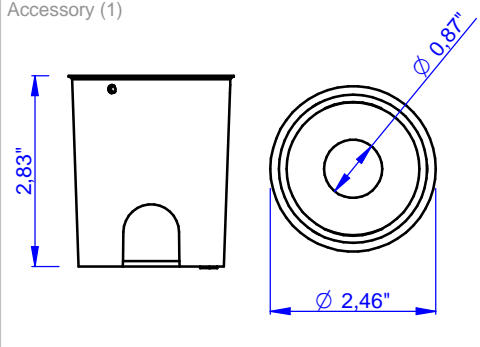
READ ALL OF THESE INSTRUCTIONS BEFORE INSTALLING FIXTURES

- Keep all of the instructions for future reference
- Turn off power before installing fixture
- Installation is to be performed by a qualified electrician only
- All installations must conform to the National Electrical Code as well as all local jurisdictional codes and regulations
- Any modification of the luminaire will void any and all written or implied warranties
- The manufacture accepts no responsibility for damage to persons or property arising through improper use or installation



### Accessories

Accessory (1)



Accessory (1)

cod. E84338 outer casing

Accessory (2)



INCLUDED

Accessory (2)

Springs for recessed included

Accessory (3)

Accessory (4)