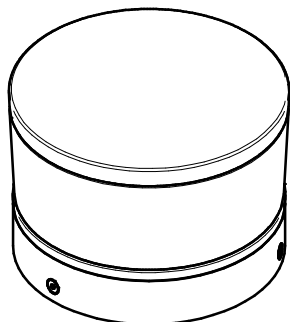
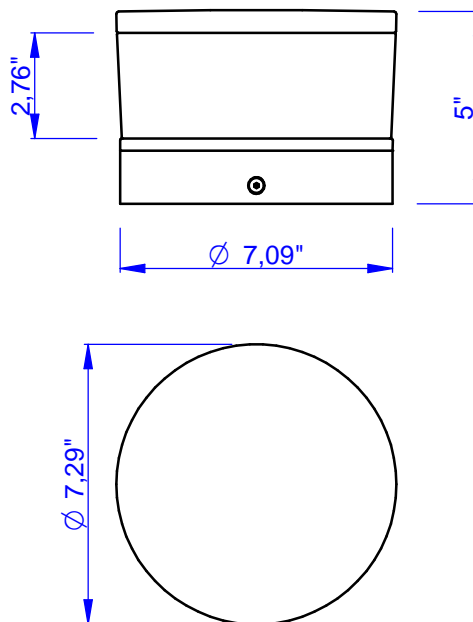


FINISH	CODE	COLOUR LED	OPTIC
EMBOSSSED GREY	E64715	4000K - N	Radial - 00
EMBOSSSED BLACK GREY	E64716	3000K - W	



Dimensions



Finishes

EMBOSSSED GREY
 EMBOSSSED BLACK GREY

Product Description

Outdoor Bollard spotlight made of painted stainless steel AISI304 grey or black grey finish) with 99 SMD LED "2835" light source (13W power). Optical unit composed by an aluminum reflector for a radial emission. Led source protected by an extra clear pressed glass. Bracket base fixed on the bollard with screws anti vandalism. 39,37" 3x18AWG direct burial cable. Power supply integrate in the bollard, 100-277V AC.

LED White :
 4000K - 3000K

Color LED :
 -

Optic :
 00° - Radial

LED RGB :
 -

Optic :
 -

Applications

Outdoor spotlights

Power Led:

LED SMD 2835 - CRI80

Resin: No

Cable type included: Yes, 39,37" 3x18AWG direct burial cable

Connector type: -

Input (V - mA) : 500 mA

Nominal power (W): 13W

Real power (W): Nominal power

Temperature on the surface of the glass: 40°C

Adjustability: No

Drive over: No

Glow Wire: 850°

Power supply: Integrate, 100 - 277V AC

Insulation class: Class 2

IP 66

IK 09

Weight: 5,87 Lbs

Volume: 366"³

△ : OK

ETL : OK

Luminous flux

LED Type	n°led	CRI	Nominal Lumen*		Nominal Power
			4000K - N	3000K - W	
"2835"	99	80	2060	1941	13W

*Value of the luminous flux from the LED data sheet.

THIS PRODUCT MUST BE INSTALLED IN ACCORDANCE WITH THE APPLICABLE INSTALLATION CODE BY A PERSON FAMILIAR WITH THE CONSTRUCTION AND OPERATION OF THE PRODUCT AND THE HAZARDS INVOLVED

READ ALL OF THESE INSTRUCTIONS BEFORE INSTALLING FIXTURES

- Keep all of the instructions for future reference
- Turn off power before installing fixture
- Installation is to be performed by a qualified electrician only
- All installations must conform to the National Electrical Code as well as all local jurisdictional codes and regulations
- Any modification of the luminaire will void any and all written or implied warranties
- The manufacture accepts no responsibility for damage to persons or property arising through improper use or installation

Accessories

Accessory (1)

Accessory (2)

Accessory (3)

Accessory (4)

Accessory (1)

Accessory (2)

Accessory (3)

Accessory (4)