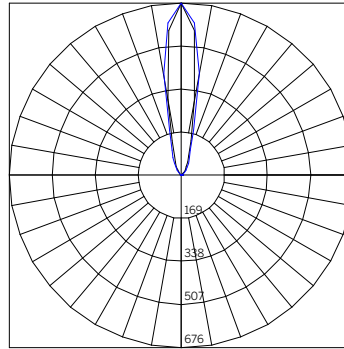


Eyelet40

ROUND

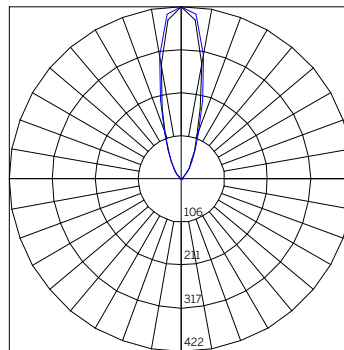
EY40-RWH-F-...-SP...		
Delivered Lumens - Spot		
		Size [Wattage]
		10 [2 CC]
CCT	27-	181
	30-	153
	40-	164
Polar Plot / Cone Of Light Multiplier		
		10 [2 CC]
		1.00



Beam Angle (0-180) = 18.4
Beam Angle (90-270) = 23.0

CONE OF LIGHT - 2W 3000K Spot EY40-RWH-F-10-2-CC-30-SP*		
Throw Distance [Ft]	Illuminance [fc at max cd]	Beam Diameter [Ft]
20	2	6.5
18	2	5.8
16	2	5.2
14	3	4.5
12	4	3.9
10	6	3.2
8	10	2.6
6	17	1.9
4	38	1.3
2	152	0.6

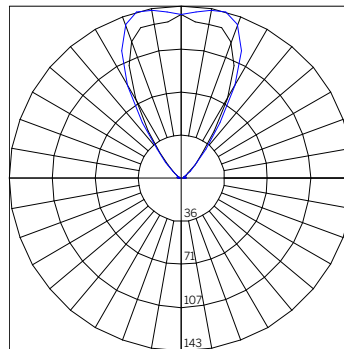
EY40-RWH-F-...-FL...		
Delivered Lumens - Flood		
		Size [Wattage]
		10 [2 CC]
CCT	27-	172
	30-	154
	40-	165
Polar Plot / Cone Of Light Multiplier		
		10 [2 CC]
		1.00



Beam Angle (0-180) = 27.0
Beam Angle (90-270) = 28.8

CONE OF LIGHT - 2W 3000K Flood EY40-RWH-F-10-2-CC-30-FL*		
Throw Distance [Ft]	Illuminance [fc at max cd]	Beam Diameter [Ft]
20	1	9.6
18	1	8.6
16	1	7.7
14	2	6.7
12	3	5.8
10	4	4.8
8	6	3.8
6	11	2.9
4	24	1.9
2	95	1.0

EY40-RWH-F-...-WFL...		
Delivered Lumens - Wide Flood		
		Size [Wattage]
		10 [2 CC]
CCT	27-	169
	30-	144
	40-	154
Polar Plot / Cone Of Light Multiplier		
		10 [2 CC]
		1.00



Beam Angle (0-180) = 62.8
Beam Angle (90-270) = 65.2

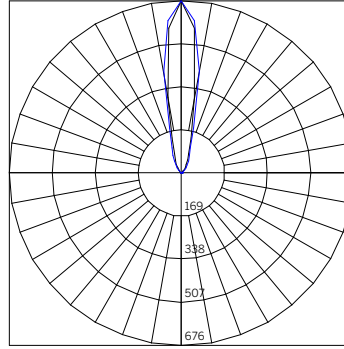
CONE OF LIGHT - 2W 3000K Wide Flood EY40-RWH-F-10-2-CC-30-WFL*		
Throw Distance [Ft]	Illuminance [fc at max cd]	Beam Diameter [Ft]
20	0	24.4
18	0	22.0
16	0	19.5
14	1	17.1
12	1	14.6
10	1	12.2
8	2	9.8
6	3	7.3
4	8	4.9
2	31	2.4

*Polar Plot and Cone of Light are applicable to part number noted; use Multiplication Factor table to approximate other models or refer to online photometry.

Eyelet40

SQUARE

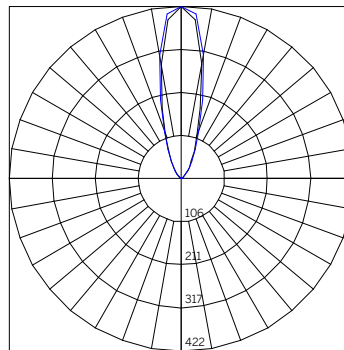
EY65-SWH-F-...-SP...		
Delivered Lumens - Spot		
		Size [Wattage]
		10 [2 CC]
CCT	27-	181
	30-	153
	40-	164
		Polar Plot / Cone Of Light Multiplier
		10 [2 CC]
		1.00



Beam Angle (0-180) = 18.4
Beam Angle (90-270) = 23.0

CONE OF LIGHT - 2W 3000K Spot EY65-SWH-F-10-2-CC-30-SP*		
Throw Distance [Ft]	Illuminance [fc at max cd]	Beam Diameter [Ft]
20	2	6.5
18	2	5.8
16	2	5.2
14	3	4.5
12	4	3.9
10	6	3.2
8	10	2.6
6	17	1.9
4	38	1.3
2	152	0.6

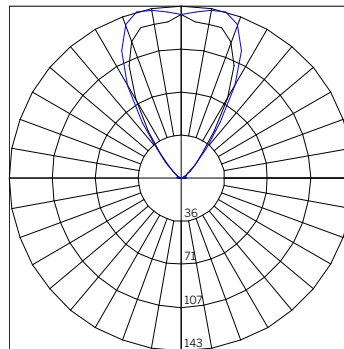
EY65-SWH-F-...-FL...		
Delivered Lumens - Flood		
		Size [Wattage]
		10 [2 CC]
CCT	27-	172
	30-	154
	40-	165
		Polar Plot / Cone Of Light Multiplier
		10 [2 CC]
		1.00



Beam Angle (0-180) = 27.0
Beam Angle (90-270) = 28.8

CONE OF LIGHT - 2W 3000K Flood EY65-SWH-F-10-2-CC-30-FL*		
Throw Distance [Ft]	Illuminance [fc at max cd]	Beam Diameter [Ft]
20	1	9.6
18	1	8.6
16	1	7.7
14	2	6.7
12	3	5.8
10	4	4.8
8	6	3.8
6	11	2.9
4	24	1.9
2	95	1.0

EY65-SWH-F-...-WFL...		
Delivered Lumens - Wide Flood		
		Size [Wattage]
		10 [2 CC]
CCT	27-	170
	30-	144
	40-	154
		Polar Plot / Cone Of Light Multiplier
		10 [2 CC]
		1.00



Beam Angle (0-180) = 62.8
Beam Angle (90-270) = 65.2

CONE OF LIGHT - 2W 3000K Wide Flood EY65-SWH-F-10-2-CC-30-WFL*		
Throw Distance [Ft]	Illuminance [fc at max cd]	Beam Diameter [Ft]
20	0	24.4
18	0	22.0
16	0	19.5
14	1	17.1
12	1	14.6
10	1	12.2
8	2	9.8
6	3	7.3
4	8	4.9
2	31	2.4

*Polar Plot and Cone of Light are applicable to part number noted; use Multiplication Factor table to approximate other models or refer to online photometry.