



WARNING:

INSTALL PRODUCT IN ACCORDANCE WITH LOCAL AND NATIONAL ELECTRICAL CODES BY A QUALIFIED ELECTRICIAN OR ELECTRICAL CONTRACTOR.



WARNING:

FAILURE TO COMPLY WITH THE INSTALLATION INSTRUCTIONS MAY RESULT IN DEATH OR SERIOUS INJURY



WARNING:

READ ALL SAFETY INSTRUCTIONS INCLUDED WITH LUMINAIRE BEFORE INSTALLING LUMINAIRE.

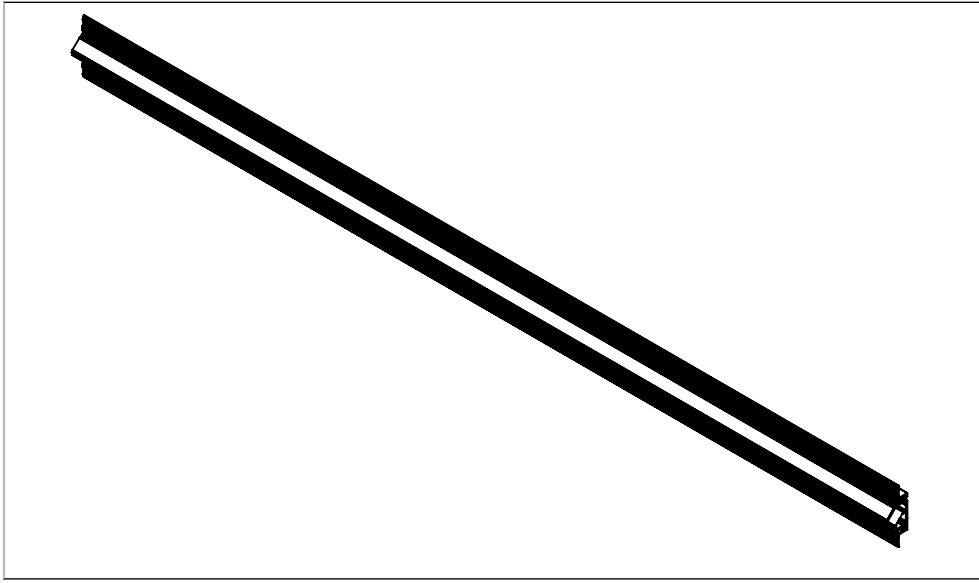
CAUTION:

THIS IS AN ELECTRONIC DEVICE. CARE MUST BE TAKEN DURING STORAGE AND HANDLING. STORE IN A CLEAN, COOL AND DRY LOCATION. ELECTROSTATIC DISCHARGE (ESD) CAN HARM THIS PRODUCT. AVOID STATIC DISCHARGE WHILE HANDLING THIS PRODUCT.

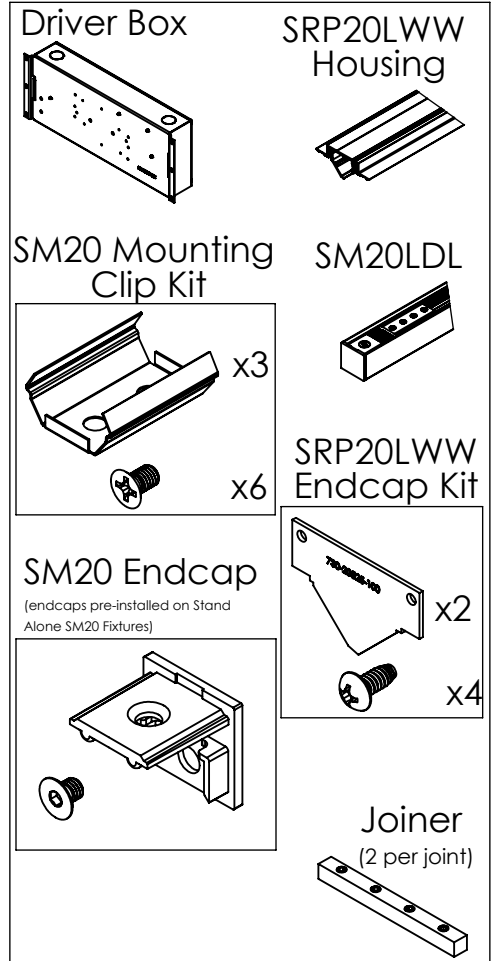
CAUTION:

INTER-LUX IS NOT RESPONSIBLE FOR THE STRUCTURAL INTEGRITY OF THE BUILDING TO SUPPORT THE LUMINAIRE. ADDITIONAL BACKING MAY BE REQUIRED.

ISOMETRIC VIEWS



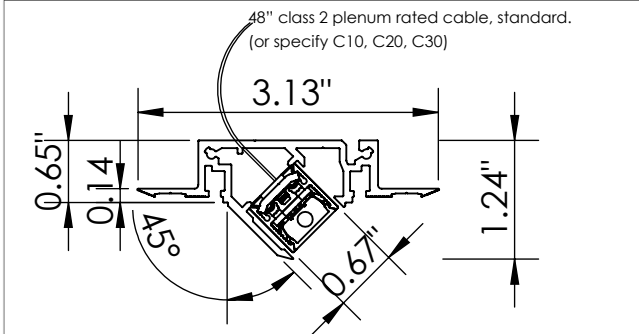
PACKAGE MAY INCLUDE: (refer to package list to identify parts)



ITEMS NEEDED (SUPPLIED BY OTHERS):

- Phillips Head Screwdriver
- #2 Screwdriver
- M3 Hex head Allen Key
- Wire Connectors
- Wire Strippers
- Ceiling Saw
- #6 DryWall Screws
- Joint/Spackle Knife
- Plaster

MOUNTING DIMENSIONS



MOUNTING OPTIONS



INSTALLATION INSTRUCTIONS

LOCATE AND REVIEW ANY CONSTRUCTION PLANS AND INTERLUX RECORD DRAWINGS FOR ALL FIXTURE RUNS.

It is recommended to locate and lay out all components for each fixture "run". A fixture run typically consist of endcaps, joiners, mounting clips, housings, SM20 lights and driver boxes. Housing and light fixtures may be similar in appearance but different in length. Driver boxes may be similar in appearance but contain different power supplies. BE SURE TO IDENTIFY ALL CORRECT LENGTHS AND DRIVERS FOR EACH FIXTURE RUN.

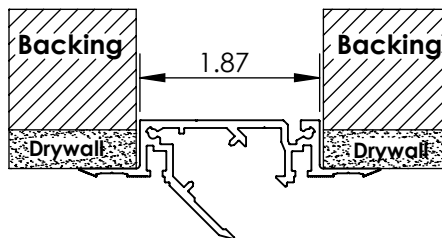
Step 1: Turn Off Power before Installing.

Install and Mount driver boxes per construction plans. Wire high voltage power feeds and dimming or control leads if applicable. See wiring diagram on next page if needed. Output leads will be connected later after fixtures are installed.

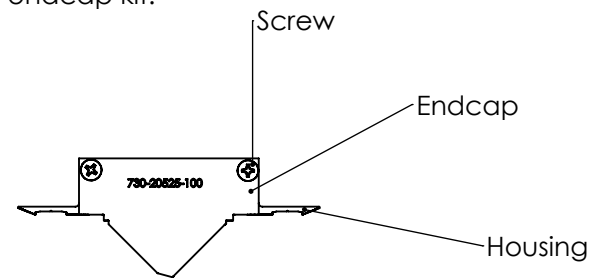
[See Page 2 for Wiring Diagram](#)

Step 2: Mark and cut gypsum/plaster board/ drywall/ etc. for desired location of housing.

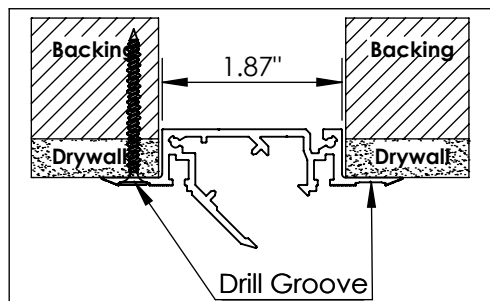
Cutout dimensions: 1.87" W X Length of fixture housing "run" X 1/4" clearance.



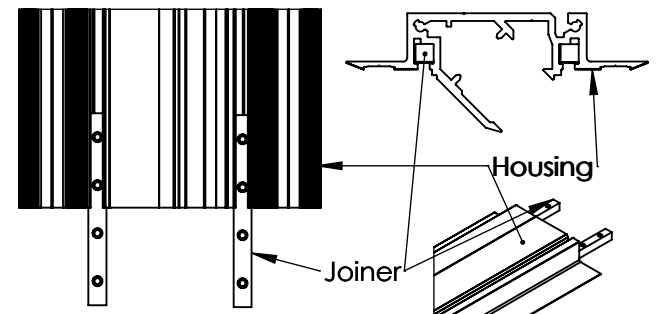
Step 3: Starting with first housing, install SRP20LWW endcap using screws provided in endcap kit.



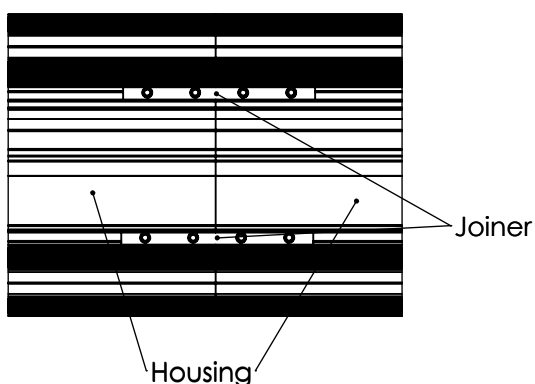
Step 4: The housing should be secured to the backing (wood recommended). In lieu of backing, the housing can be securely mounted to wallstuds and/or anchors as needed. The housing is supplied without mounting holes. These will need to be drilled to align with wood backing, studs or anchors as needed. Use #6 drywall screws. Mark and drill mounting holes in housing in desired locations. (Recommended a max of 24" centers) An alignment groove is provided to center the hole in the slots. Mark and drill a hole in back of housing for power feed cable route to the driver box



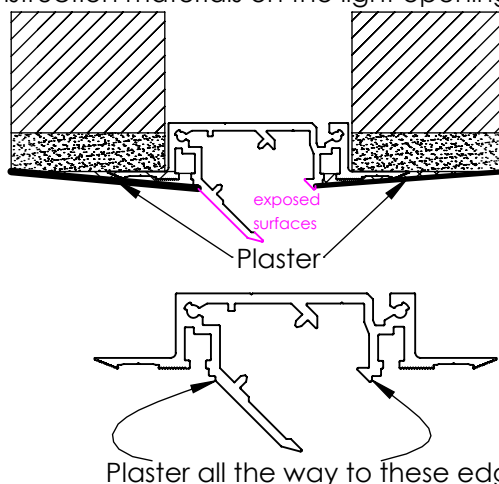
Step 5: Install joiners into the far end of housing about halfway into housing. Secure in place by tightening M3 setscrews.



Step 6: Repeat steps 4-5 for next housing section. Align joiners from the first section and slide together until butted against each other. Repeat steps 4-6 until you reach final housing section of the fixture run. Install endcap on final housing section (as seen in step 3) and mount.

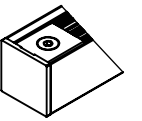


Step 7: Plaster over the housing flanges and smooth to finish. Take care not to get plaster into the light opening. Sand, paint, etc. the plaster as any normal wall joint. Take care not to get construction materials on the light opening.

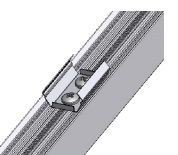


Step 8: SM20 lights

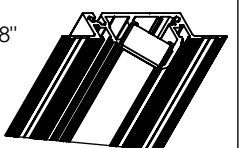
A. Install SM20 endcap on first and last SM20 linear light. Click endcaps into place and secure using provide screw. (endcaps pre-installed on Stand alone fixtures)



B. Install mounting clips into the SM20 light. One clip at each end and one in the middle. Secure using provided screws.



C. Route power cable from SM20 light through first SRP20LWW drilled hole. Snap SM20 light into place. (should be about 1/8" clearance from end of housing) Repeat steps B-C until all SM20 lights are installed. Energize and test for proper operation.





WARNING:

INSTALL PRODUCT IN ACCORDANCE WITH LOCAL AND NATIONAL ELECTRICAL CODES BY A QUALIFIED ELECTRICIAN OR ELECTRICAL CONTRACTOR.



WARNING:

FAILURE TO COMPLY WITH THE INSTALLATION INSTRUCTIONS MAY RESULT IN DEATH OR SERIOUS INJURY



WARNING:

READ ALL SAFETY INSTRUCTIONS INCLUDED WITH LUMINAIRE BEFORE INSTALLING LUMINAIRE.

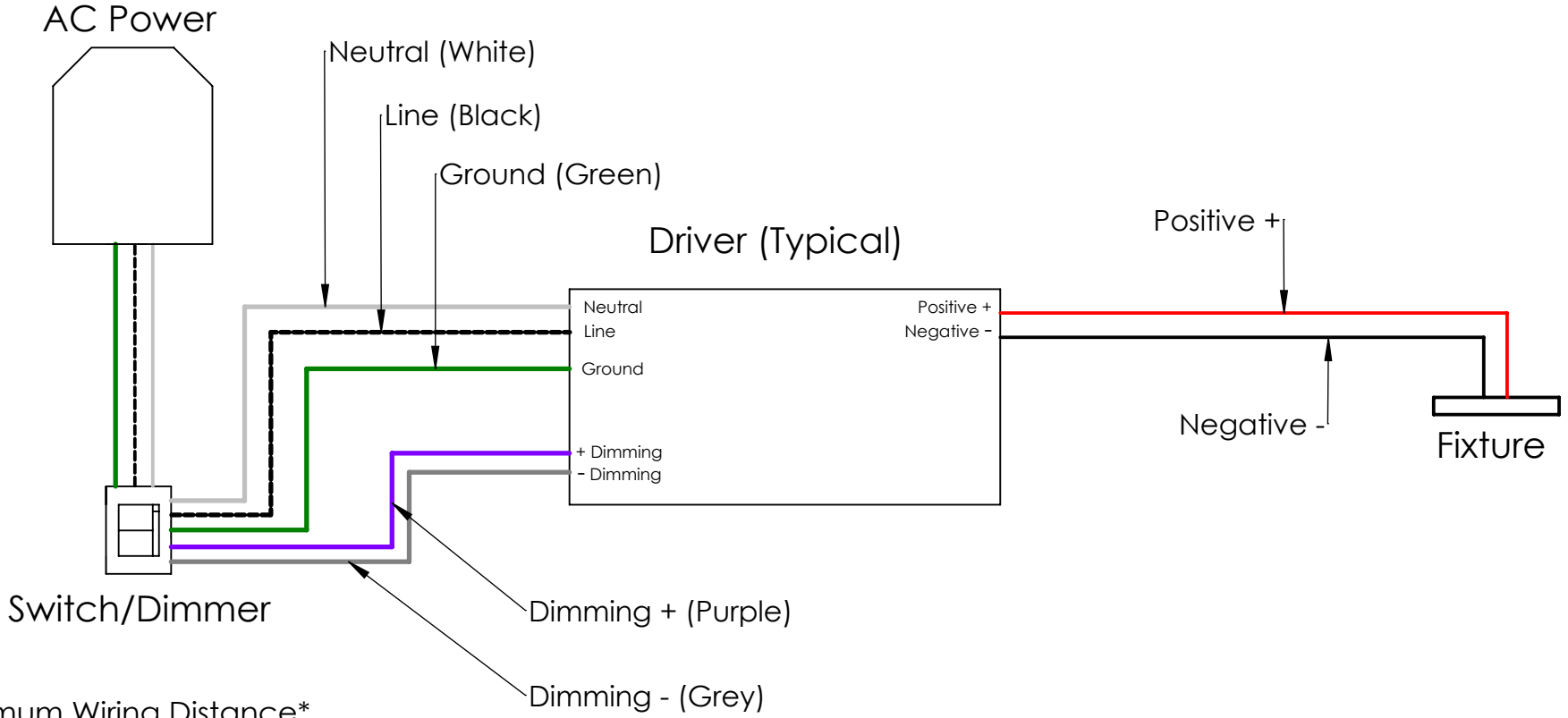
CAUTION:

THIS IS AN ELECTRONIC DEVICE. CARE MUST BE TAKEN DURING STORAGE AND HANDLING. STORE IN A CLEAN, COOL AND DRY LOCATION. ELECTROSTATIC DISCHARGE (ESD) CAN HARM THIS PRODUCT. AVOID STATIC DISCHARGE WHILE HANDLING THIS PRODUCT.

CAUTION:

INTER-LUX IS NOT RESPONSIBLE FOR THE STRUCTURAL INTEGRITY OF THE BUILDING TO SUPPORT THE LUMINAIRE. ADDITIONAL BACKING MAY BE REQUIRED.

Wiring Key



Maximum Wiring Distance*

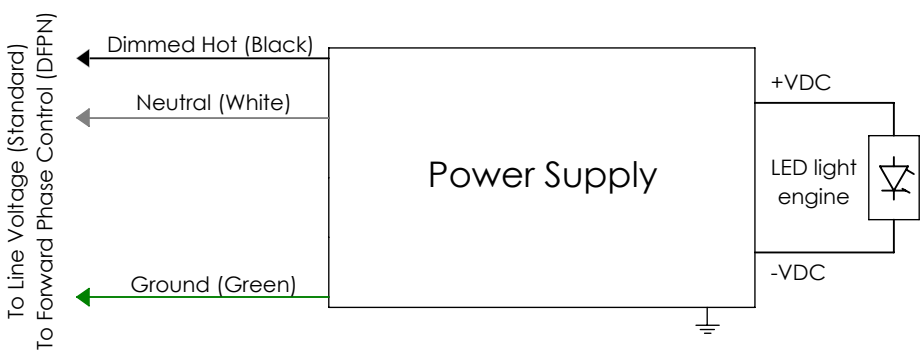
Wire Gauge	Maximum Lead Length			
	Osram			Lutron
	≤ 48W	≤ 72W	≤ 96W	≤ 40W
#18AWG	37'	25'	18'	15'
#16AWG	59'	39'	29'	25'
#14AWG	95'	63'	47'	40'
#12AWG	151'	101'	75'	60'

*Actual Voltage drop to be calculated by installer

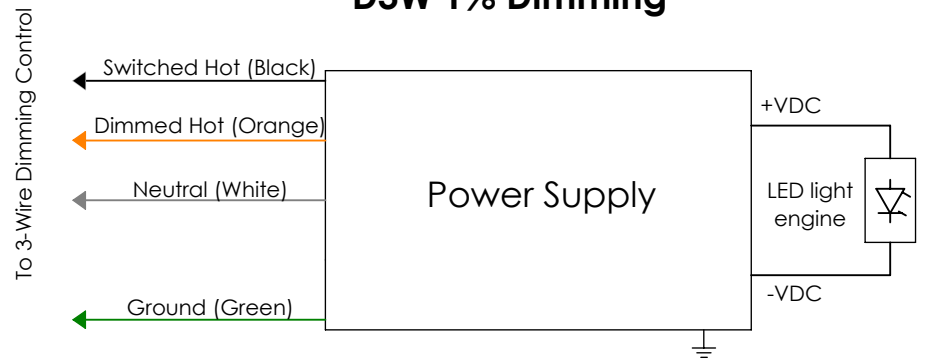
Red	Black	Green	Black	White	Purple	Grey
Positive	Negative	Ground	Line	Neutral	Dimming +	Dimming -

Driver Wiring Diagrams

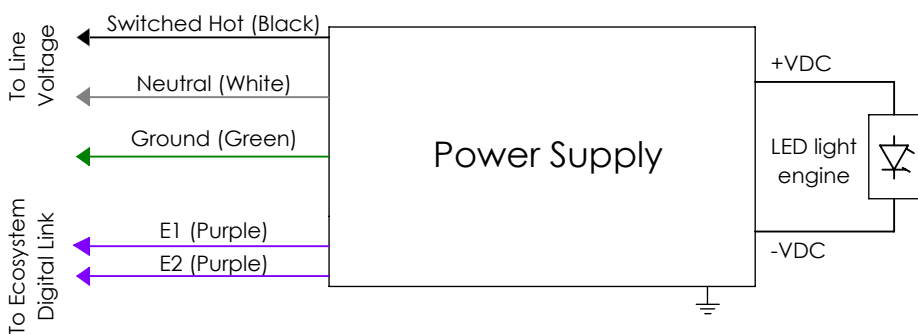
Standard Non-Dimming/DFPN Dimming



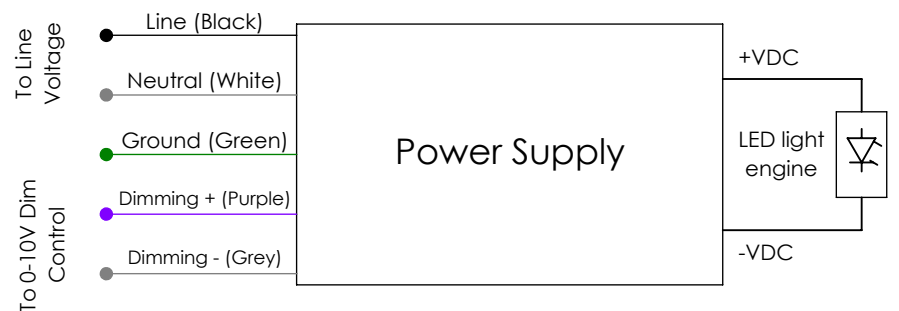
D3W 1% Dimming



DES 1% Dimming



0-10V Dimming



NOTE: ALL DRIVERS ARE INTER-LUX PROVIDED. FOR NON INTER-LUX DRIVERS PLEASE REFER TO DRIVER MANUFACTURERS. THE USE OF NON INTER-LUX DRIVERS VOIDS PRODUCT WARRANTY