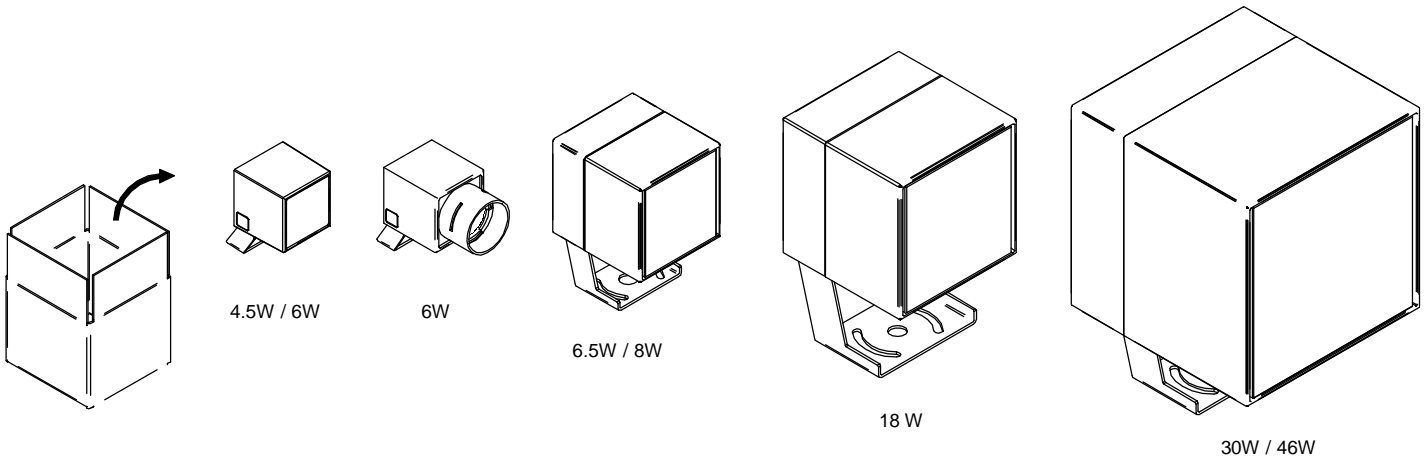




PERISKOP



WARNING:

INSTALL PRODUCT IN ACCORDANCE WITH LOCAL AND NATIONAL ELECTRICAL CODES BY A QUALIFIED ELECTRICIAN



WARNING:

FAILURE TO COMPLY WITH THE INSTALLATION INSTRUCTIONS MAY RESULT IN DEATH OR SEVERE INJURY.



WARNING:

READ ALL SAFETY INSTRUCTIONS INCLUDED WITH LUMINAIRE BEFORE INSTALLING LUMINAIRE. SAVE INSTRUCTIONS FOR FUTURE USE.

CAUTION:

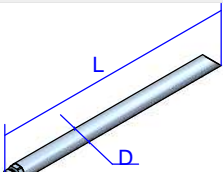
THIS IS AN ELECTRONIC DEVICE. CARE MUST BE TAKEN DURING STORAGE AND HANDLING. STORE IN A CLEAN, COOL AND DRY LOCATION. ELECTROSTATIC DISCHARGE (ESD) CAN HARM THIS PRODUCT. AVOID STATIC DISCHARGE WHILE HANDLING THIS PRODUCT.

CAUTION:

INTER-LUX IS NOT RESPONSIBLE FOR THE STRUCTURAL INTEGRITY OF THE BUILDING TO SUPPORT THE LUMINAIRE. ADDITIONAL BACKING MAY BE REQUIRED.

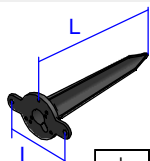
LOCATE AND REVIEW ANY CONSTRUCTION PLANS AND INTER-LUX RECORD DRAWINGS FOR ALL FIXTURE RUNS. IT IS RECOMMENDED TO LOCARE AND LAY OUT ALL COMPONENTS FOR EACH FIXTURE "RUN". A FIXTURE RUN TYPICALLY CONSISTS OF JOINERS, LENGHTS OF HOUSING, AND ENDCAPS. BE SURE TO IDENTIFY ALL CORRECT LENGHTS FOR EACH FIXTURE RUN.

1. STEEL PEG



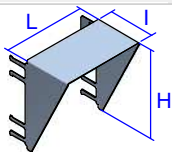
4.5W / 6W	L	D
E98624	2.99"	0.39"

2. PEG



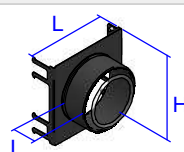
E98549 -	L	I
6.5W/8W/18W/ 30W/46W	8.03"	3.93"

3. ANTI-GLARE SCREEN



E98966 - 6.5W - 8W	L	H	I
E98967 - 18W	2.79"	2.99"	1.57"
E98968 - 30W/46W	4.21"	4.33"	1.97"
	6.06"	6.37"	2.95"

4. ANTI-GLARE PIPE



E98969 - 6.5W	L	H	I
E98970 - 18W	2.79"	2.99"	0.86"
E98971 - 30W/46W	4.21"	4.33"	0.86"
	6.06"	6.37"	1.65"

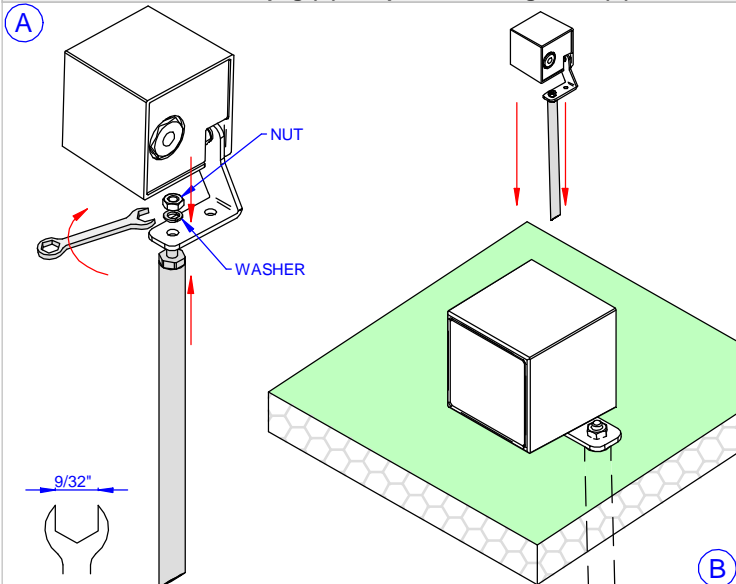
5. TREE BELT



E99802	4.5W/6W/6.5W/ 8W/18W
on request	30W/46W

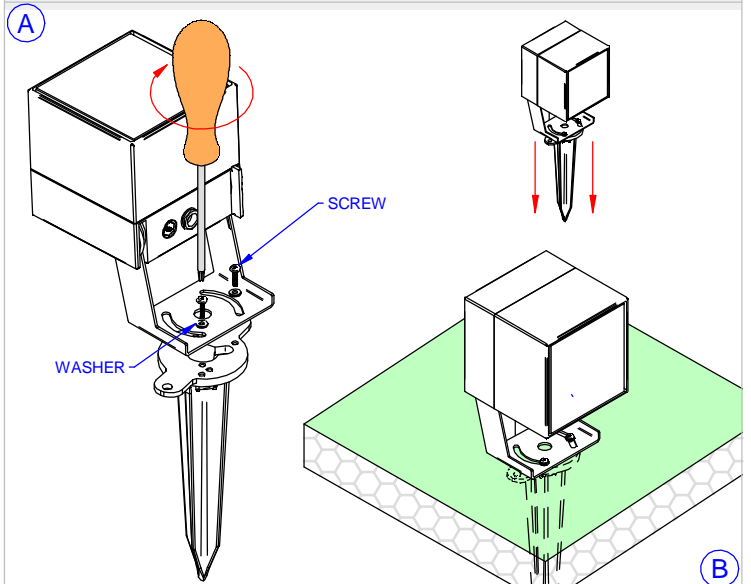
1. STEEL PEG MOUNTING

Mount the fixture on the peg (A) and put it into the ground (B)



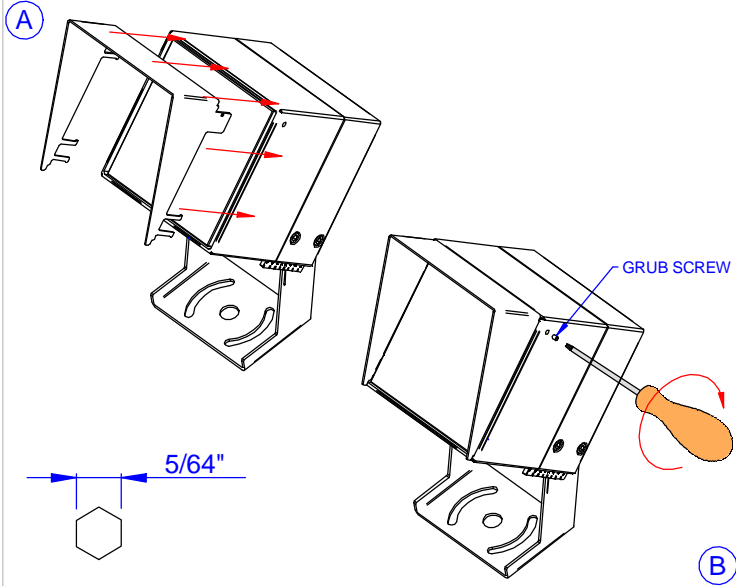
2. PEG MOUNTING

Mount the fixture on the peg (A) and put it into the ground (B)



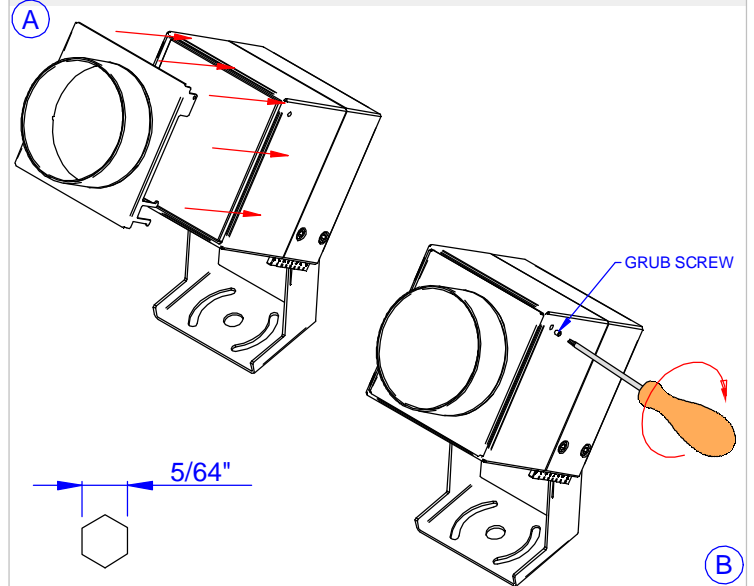
1. ANTI-GLARE SCREEN MOUNTING

Insert the screen (A) and tighten the grub screw (B)



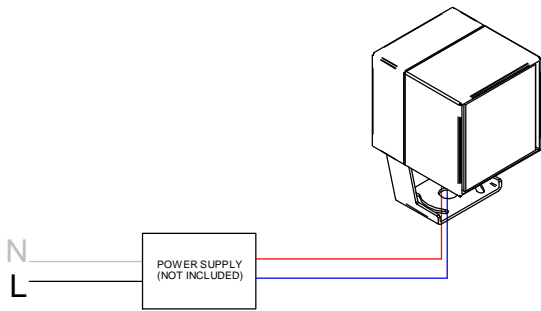
2. ANTI-GLARE PIPE MOUNTING

Insert the pipe (A) and tighten the grub screw (B)

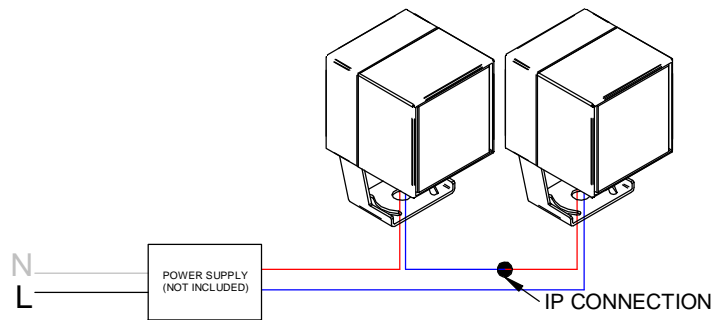


WIRING DIAGRAM

SINGLE FIXTURE



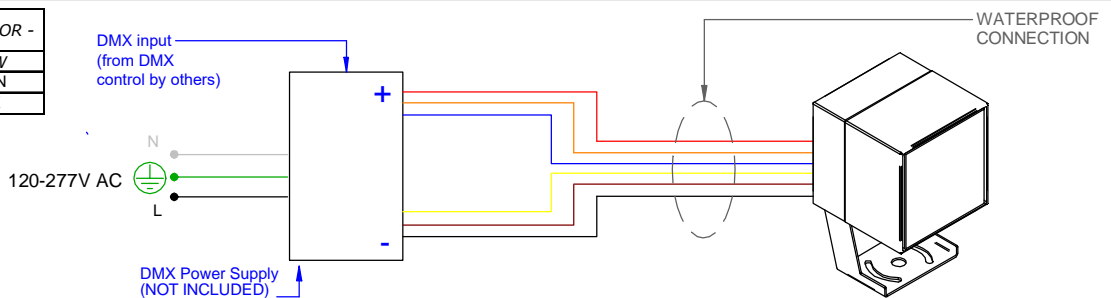
MULTIPLE FIXTURES WIRED IN SERIES (Constant Current)



<i>Secondary Cable Colours</i>	<i>Pole</i>
Red wire	+
Blue wire	-

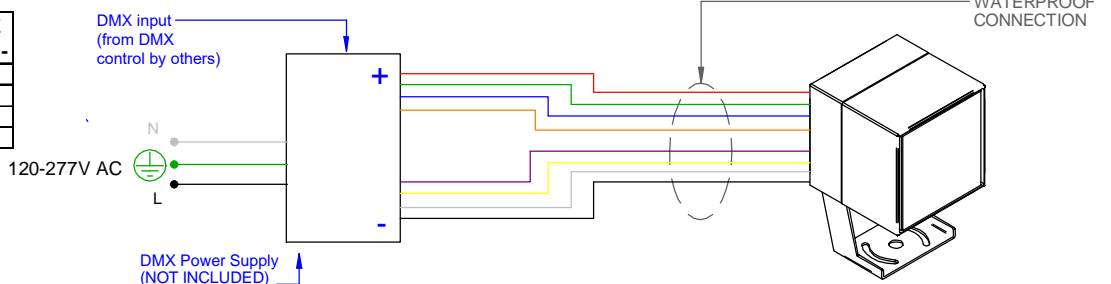
PERISKOP RGB 4.5W - 500mA

LED COLOR	CABLE COLOR +	CABLE COLOR -
RED	RED	YELLOW
GREEN	ORANGE	BROWN
BLUE	BLUE	BLACK



PERISKOP RGBW 8W-630mA / 18W-500mA

LED COLOR	CABLE COLOR +	CABLE COLOR -
RED	RED	YELLOW
GREEN	GREEN	WHITE
BLUE	BLUE	BLACK
WHITE	ORANGE	PURPLE



THIS PRODUCT MUST BE INSTALLED IN ACCORDANCE WITH THE APPLICABLE INSTALLATION CODE BY A PERSON FAMILIAR WITH THE CONSTRUCTION AND OPERATION OF THE PRODUCT AND THE HAZARDS INVOLVED

MOUNTING INSTRUCTIONS

READ ALL OF THESE INSTRUCTIONS BEFORE INSTALLING FIXTURES

- CAUTION: USE ONLY WITH CLASS 2 POWER UNIT
- Keep all of the instructions for future reference
- Turn off power before installing fixture
- Installation is to be performed by a qualified electrician only
- All installations must conform to the National Electrical Code as well as all local jurisdictional codes and regulations
- Any modification of the luminaire will void any and all written or implied warranties
- The manufacture accepts no responsibility for damage to persons or property arising through improper use or installation

PERISKOP INSTALLATION SEQUENCE

- Mount remote driver in accessible well ventilated space
- Ensure power is off before connecting driver to line voltage
- Mount the fixture on its peg following the shown steps [1 or 2]
- Mount the desired accessory on the fixture if needed [3 or 4]
- Connect secondary wiring to fixture wiring as shown in the wiring diagram
- WARNING: Be sure secondary wiring is connected to driver BEFORE energizing to avoid LED failure
- Energize