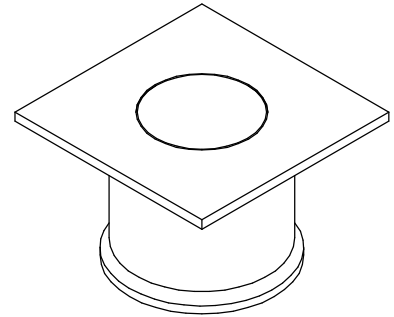
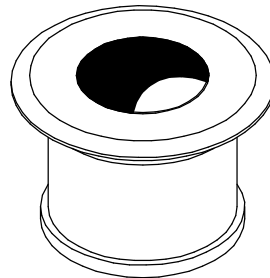
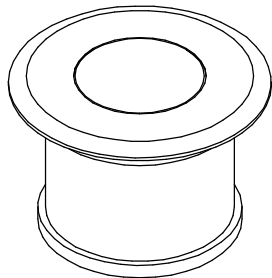
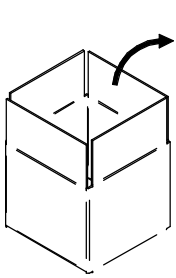




BERET_R / BERET_X / BERET_Q

**WARNING:**

INSTALL PRODUCT IN ACCORDANCE WITH LOCAL AND NATIONAL ELECTRICAL CODES BY A QUALIFIED ELECTRICIAN

**WARNING:**

FAILURE TO COMPLY WITH THE INSTALLATION INSTRUCTIONS MAY RESULT IN DEATH OR SEVERE INJURY.

**WARNING:**

READ ALL SAFETY INSTRUCTIONS INCLUDED WITH LUMINAIRE BEFORE INSTALLING LUMINAIRE. SAVE INSTRUCTIONS FOR FUTURE USE.

CAUTION:

THIS IS AN ELECTRONIC DEVICE. CARE MUST BE TAKEN DURING STORAGE AND HANDLING. STORE IN A CLEAN, COOL AND DRY LOCATION. ELECTROSTATIC DISCHARGE (ESD) CAN HARM THIS PRODUCT. AVOID STATIC DISCHARGE WHILE HANDLING THIS PRODUCT.

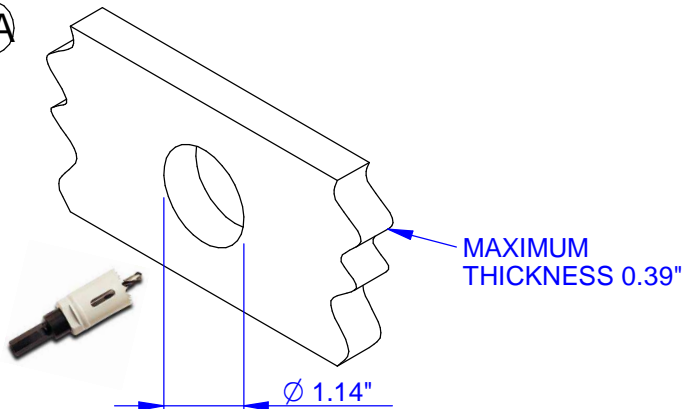
CAUTION:

INTER-LUX IS NOT RESPONSIBLE FOR THE STRUCTURAL INTEGRITY OF THE BUILDING TO SUPPORT THE LUMINAIRE. ADDITIONAL BACKING MAY BE REQUIRED.

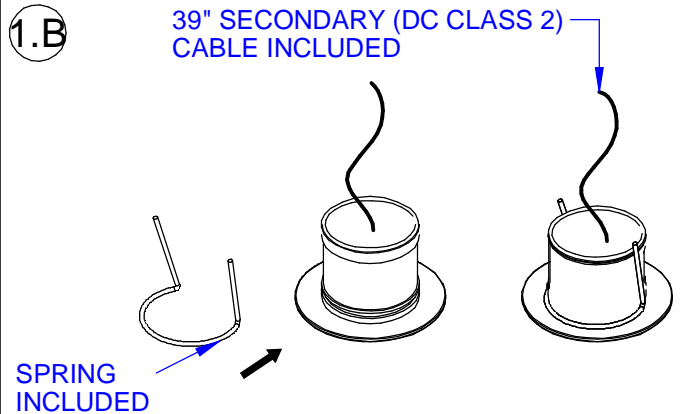
LOCATE AND REVIEW ANY CONSTRUCTION PLANS AND INTER-LUX RECORD DRAWINGS FOR ALL FIXTURE RUNS. IT IS RECOMMENDED TO LOCATE AND LAY OUT ALL COMPONENTS FOR EACH FIXTURE "RUN". A FIXTURE RUN TYPICALLY CONSISTS OF JOINERS, LENGTHS OF HOUSING, AND ENDCAPS. BE SURE TO IDENTIFY ALL CORRECT LENGTHS FOR EACH FIXTURE RUN.

INSTALLATION INSTRUCTIONS

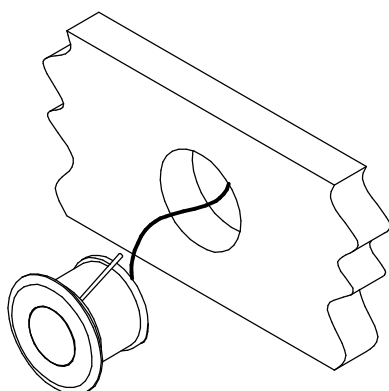
1.A



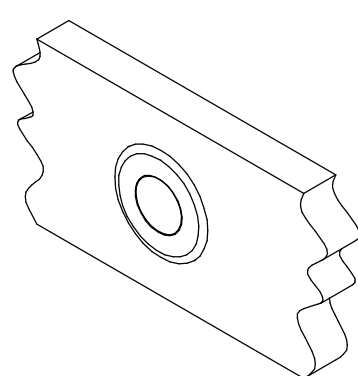
1.B



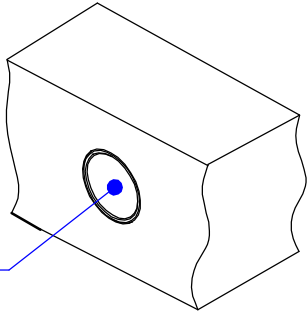
1.C



1.D

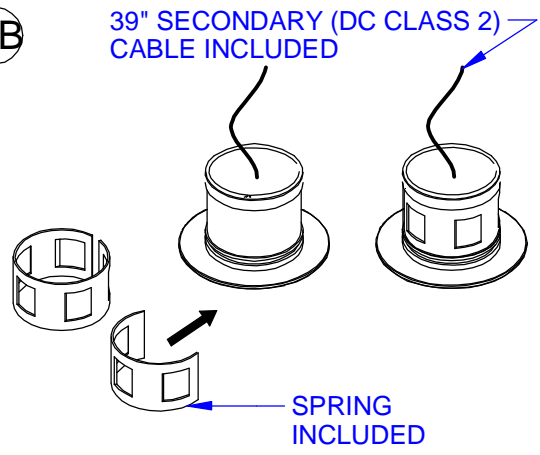


2.A



OUTER CASING
COD. E84915
NOT INCLUDED

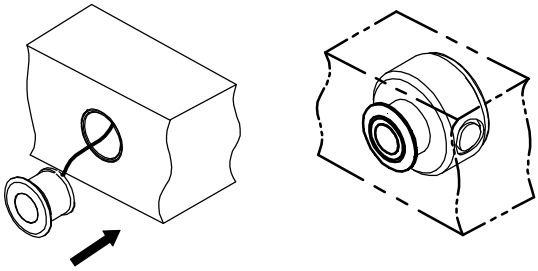
2.B



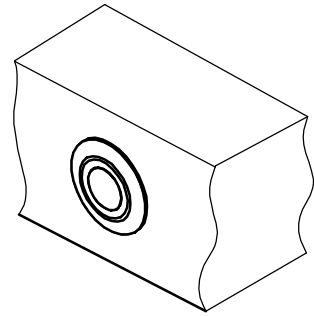
39" SECONDARY (DC CLASS 2)
CABLE INCLUDED

SPRING
INCLUDED

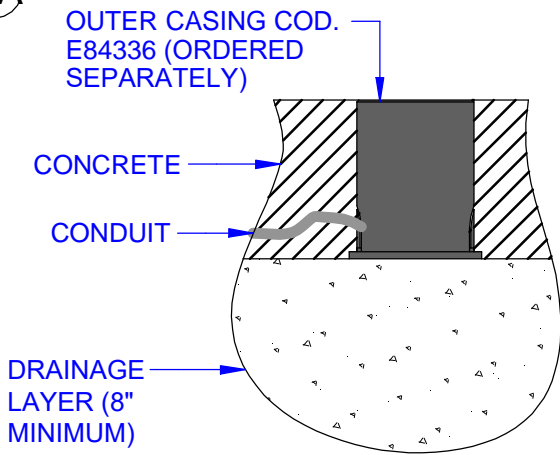
2.C



2.D



3.A



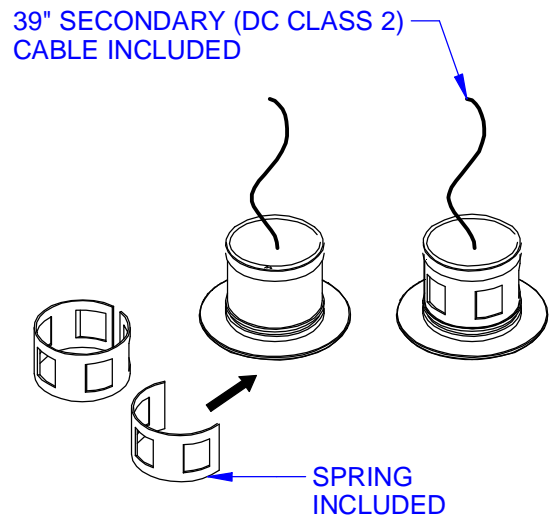
OUTER CASING COD.
E84336 (ORDERED
SEPARATELY)

CONCRETE

CONDUIT

DRAINAGE
LAYER (8"
MINIMUM)

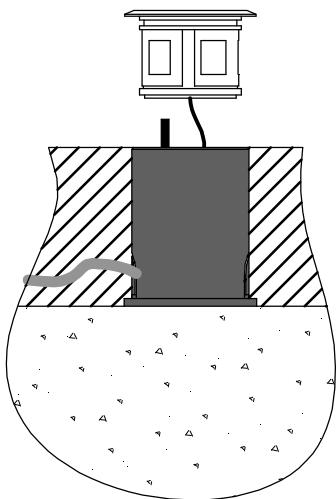
3.B



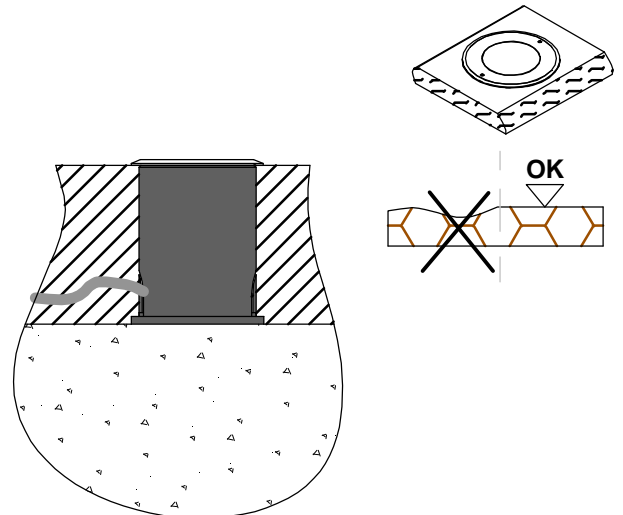
39" SECONDARY (DC CLASS 2)
CABLE INCLUDED

SPRING
INCLUDED

3.C

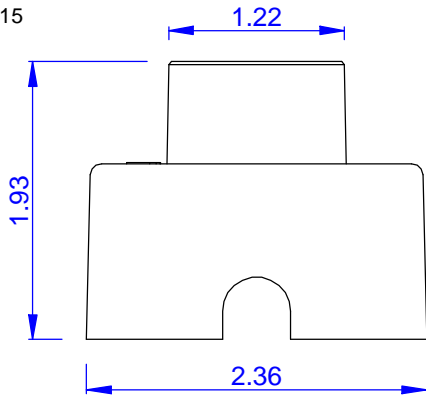


3.D

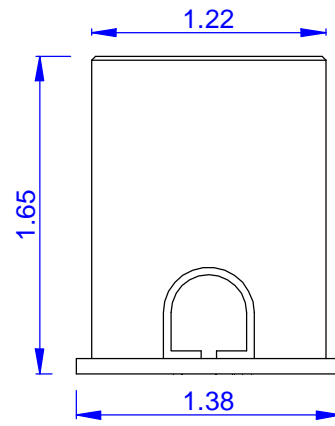


OK

OUTER CASING
COD. E84915

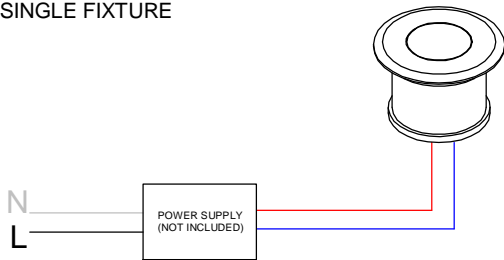


OUTER CASING
COD. E84336

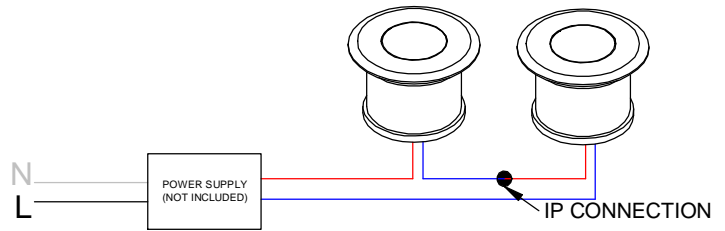


WIRING DIAGRAM

SINGLE FIXTURE



MULTIPLE FIXTURES WIRED IN SERIES (Constant Current)



THIS PRODUCT MUST BE INSTALLED IN ACCORDANCE WITH THE APPLICABLE INSTALLATION CODE BY A PERSON FAMILIAR WITH THE CONSTRUCTION AND OPERATION OF THE PRODUCT AND THE HAZARDS INVOLVED

MOUNTING INSTRUCTIONS

READ ALL OF THESE INSTRUCTIONS BEFORE INSTALLING FIXTURES

- CAUTION: USE ONLY WITH CLASS 2 POWER UNIT
- Keep all of the instructions for future reference
- Turn off power before installing fixture
- Installation is to be performed by a qualified electrician only
- All installations must conform to the National Electrical Code as well as all local jurisdictional codes and regulations
- Any modification of the luminaire will void any and all written or implied warranties
- The manufacture accepts no responsibility for damage to persons or property arising through improper use or installation

WALL INSTALLATION SEQUENCE

- Mount remote driver in accessible well ventilated space
- Ensure power is off before connecting driver to line voltage
- Cut correct size opening in the wall [1.A] or fix the outer casing on the wall [2.A]
- Insert the spring on the article [1.B-2.B]
- Connect secondary wiring to fixture wiring
- Insert the article into the wall [1.C] or insert the article into the outer casing [2.C]
- WARNING - Be sure secondary wiring is connected to driver BEFORE energizing to avoid LED failure
- Energize

FLOOR INSTALLATION SEQUENCE

- Mount remote driver in accessible well ventilated space
- Ensure power is off before connecting driver to line voltage
- Fix the outer casing on the floor [3.A]
- Insert the spring on the article [3.B]
- Connect secondary wiring to fixture wiring
- Insert the article into the outer casing [3.C]
- WARNING - Be sure secondary wiring is connected to driver BEFORE energizing to avoid LED failure
- Energize

Secondary Cable Colours	Pole
Red wire	+
Blue wire	-