

# WAND 20 Linear LED

## Specifications



### Ordering Information

Model	Type	Length	LED <sup>1</sup>	Color <sup>2</sup>	Voltage	Power <sup>3</sup>	Diffuser	Mount	Options
WG-WAND	S	31	M			S	OD	MM	
WG-WAND	S	31	M	830 835	US INTL	S	OD (std)	MM	

### Luminaire

- Standard Opal Diffuser for even illumination and no LED appearance.
- Field replaceable LED boards.
- 80+ CRI, 3 steps MacAdam.
- White finish standard.
- On / Off switch with 118" cable and plug, standard.

### Type

- S = Straight run

### Length

(total length includes 1" for switch, requires 1" clearance for cable)

- 31 = 31"

### LED<sup>1</sup>

- M = Mid Power (6.4W/ft)

### Color / Lumens<sup>2</sup>

80+ CRI minimum (Mid)

- 830 = 3000K (466 lm/ft)
- 835 = 3500K (466 lm/ft)

### Voltage

- US = 120V
- INTL = 120-240V, 50-60Hz

### Power Supply (remote)<sup>3</sup>

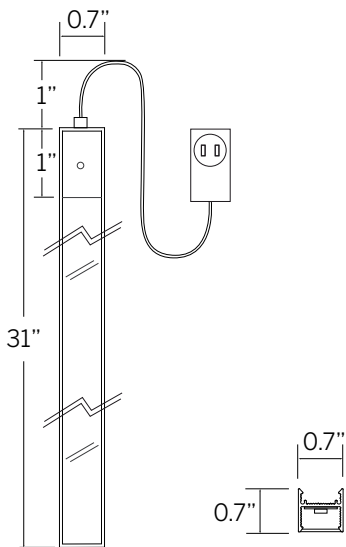
- S = Standard non-dim driver

### Diffuser

- OD = Opal diffuser (standard)

### Mounting

- MM = Magnetic mounting



- 1 Wattage shown does not include power supplies/drivers.
- 2 Delivered lumens with opal diffuser shown.
- 3 24V fixture supplied complete with individual socket mount power supply 120-240V, 50-60 Hz and feed cable.

# WAND 20 Linear LED

## Dimensions

