

60 Linear Suspended Direct / Indirect LED Specifications



Ordering Information

Model	Type	Length	Direct	Indirect	Mount	Options
WG-S60LD direct	S	A	Specify options using chart below* See ex 1 on p2: L1 - D010 - SD	Specify options using chart below* See ex 2 on p2: H4 - S - OD	S48 S96	DC DL
WG-S60LI indirect	P ¹	A x B				
WG-S60LDI direct/indirect	PZ ¹	A x B x C A x B x A x B				

Luminaire

- Continuous, evenly illuminated snap-in lens without visible LED pattern.
- Standard Opal Diffuser for even illumination, Satin Diffuser for high efficiency and minimal LED appearance.
- Field replaceable LED boards.
- 80+ CRI, 3 steps MacAdam.
- Lengths and angles factory cut to exact field dimensions.
- Standard and custom corners.
- Single circuit standard, dual circuit optional. (see options).
- Powder coat painted white - RAL 9010.
- 48" suspension cable standard.

Type

- S = Straight run
- P = Standard patterns 2, 3 or 4 sided with 90° corners¹
- PZ = Non-standard patterns and/or corners other than 90°, consult factory¹

Length

- A, B, C = specify feet & inches to the nearest 0.25" (i.e. 6' 5.5") For patterns specify each length (i.e. 2 sided: A x B = 6' 5" x 6'; 3 sided: A x B x C; 4 sided: A x B x A x B)

LED²

- L = Low Power (3.2W/ft)
- M = Mid Power (6.4W/ft)
- H = High Power (10W/ft) direct only

Color / Lumens³

- 80+ CRI minimum (Low/Mid)
- 827 = 2700K (265/561/863 lm/ft)
 - 830 = 3000K (287/613/949 lm/ft)
 - 835 = 3500K (315/674/1044 lm/ft)
 - 840 = 4000K (325/699/1072 lm/ft)
 - For 90+ CRI specify 927, 930, etc

Voltage

- UNV = 120 - 277V
- 120 = 120V (DFPN only)

Power Supply⁴

- S = Standard driver, 120-277V
- D010 = Osram, 10%, 0-10V dimming, 120-277V
- D3W = Lutron, 1%, 3-wire dimming, 120-277V
- DES = Lutron, 1%, EcoSystem E1/E2 digital dimming, 120-277V
- DFPN = Lutron 1% forward phase with neutral, 120V only

Lens

- OD = opal diffuser (standard)
- SD = satin diffuser

Mounting

- S48 = 48" suspension cable (standard)
- S96 = 96" suspension cable, field-cutable

Options

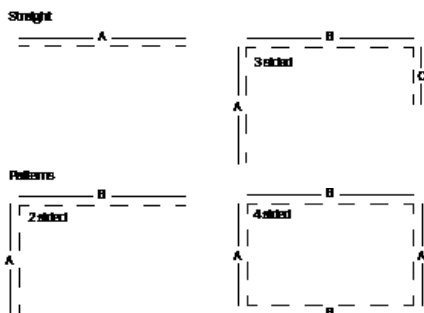
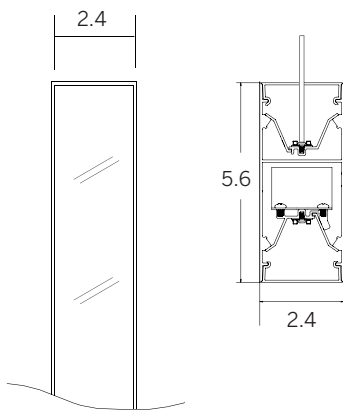
- DC = dual circuit
- DL = damp location
- To specify multiple options select the appropriate grouped codes from the dropdown e.g. DC-DL
- Contact factory for emergency lighting options

1 See pattern specs sheet.

2 Wattage shown does not include power supplies/drivers.

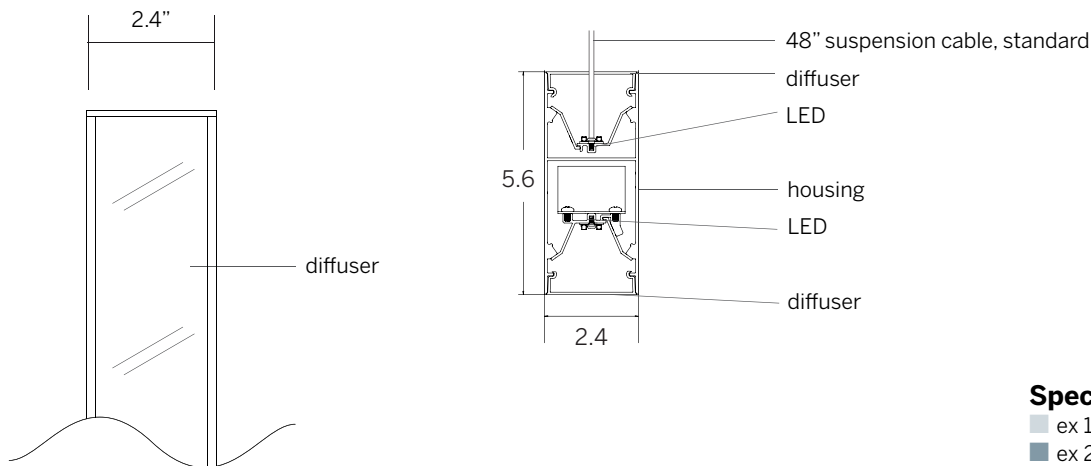
3 Delivered lumens with satin diffuser shown.

4 See power supply specs sheet.



60 Linear Suspended Direct / Indirect LED

Dimensions



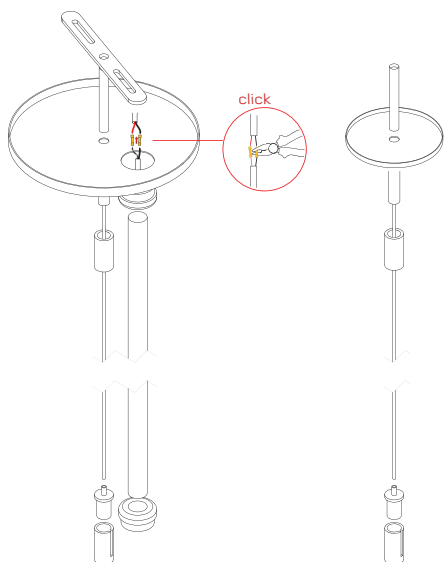
Specify 1 from each:

ex 1: - L1 - D010 - SD

ex 2: - H4 - S - OD

LED	Color			Power	Lens
	L	M	H	S	OD
827	L1	M1	H1	D010	SD
830	L2	M2	H2	D3W	
835	L3	M3	H3	DES	
840	L4	M4	H4	DFPN	
927	L5	M5	H5		
930	L6	M6	H6		
935	L7	M7	H7		
940	L8	M8	H8		

Installation



feed and suspension

suspension

